

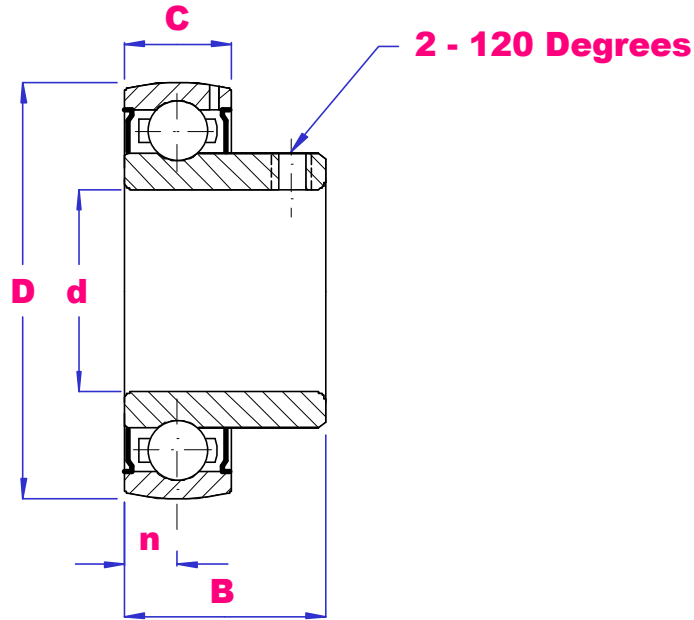


UBC

S-SB200 SERIES STAINLESS STEEL BEARING INSERT



Quality
Endorsed
Company
ISO 9001:2000
LIC QEC20818



PART NO	d	D mm	B mm	C mm	n mm	Load D-kN	Load S-kN	Max Rpm	Wgt kg
S-SB203-12MM	12	40	22	12	6	7.36	4.79	8000	0.08
S-SB203-15MM	15	40	22	12	6	7.36	4.79	8000	0.075
S-SB203	17	40	22	12	6	7.36	4.79	8000	0.07
S-SB204	20	47	25	14	7	12.81	6.65	6800	0.12
S-SB205	25	52	27	15	7.5	14.11	9.93	5700	0.16
S-SB206	30	62	30	16	8	19.49	11.31	4900	0.25
S-SB207	35	72	32	17	8.5	25.68	15.31	4100	0.38
S-SB208	40	80	34	18	9	29.12	19.84	3600	0.58
S-SB209	50	80	34	18	9	20.78	15.58	3900	0.38
S-SB210	50	90	42.5	20	10	35.05	23.18	3100	0.64

INCH BORES

S-SB203-8	1/2	40	22	12	6	7.36	4.79	8000	0.08
S-SB203-10	5/8								0.07
S-SB204-12	3/4	47	25	14	7	12.81	6.65	6800	0.13
S-SB205-14	7/8	52	27	15	7.5	14.11	9.93	5700	0.18
S-SB205-15	15/16								0.17
S-SB205-16	1								0.16
S-SB206-18	1.1/8	62	30	16	8	19.49	11.31	4900	0.26
S-SB206-19	1.3/16								0.25
S-SB206-20	1.1/4								0.24
S-SB207-20	1.1/4	72	32	17	8.5	25.68	15.31	4100	0.43
S-SB207-22	1.3/8								0.38
S-SB208-24	1.1/2	80	34	18	9	29.12	19.84	3600	0.60
S-SB209-28	1.3/4	85	34	18	9	20.78	15.58	3900	0.38
S-SB210-32	2	90	42.5	20	10	35.05	23.18	3100	0.64