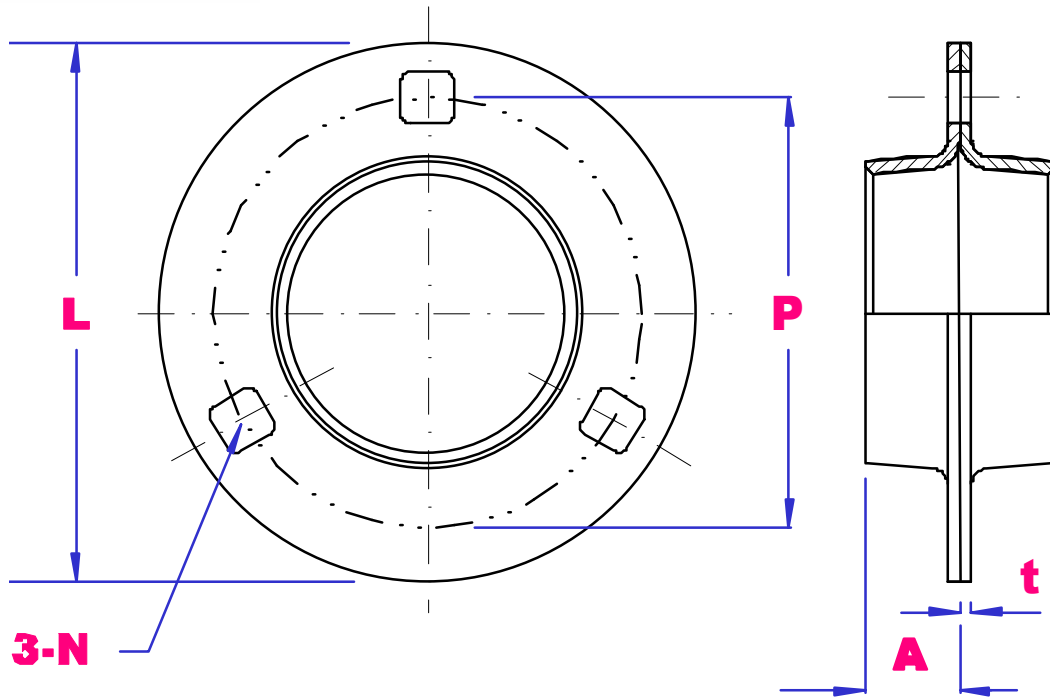




# UBC

## S-PF200 SERIES STAINLESS STEEL HOUSING



PART NO	L mm	P mm	A mm	t mm	N mm	Bolt mm	Wgt kg
S-PF203	81	63.5	7	2	7	M6	0.14
S-PF204	90	71	8	2	9	M8	0.14
S-PF205	95	76	9	2	9	M8	0.17
S-PF206	113	90	9	2.5	11	M10	0.20
S-PF207	122	100	10	2.5	11	M10	0.30

SUITABLE BEARING SERIES – S-SB200, SB200, SA200, CS200.