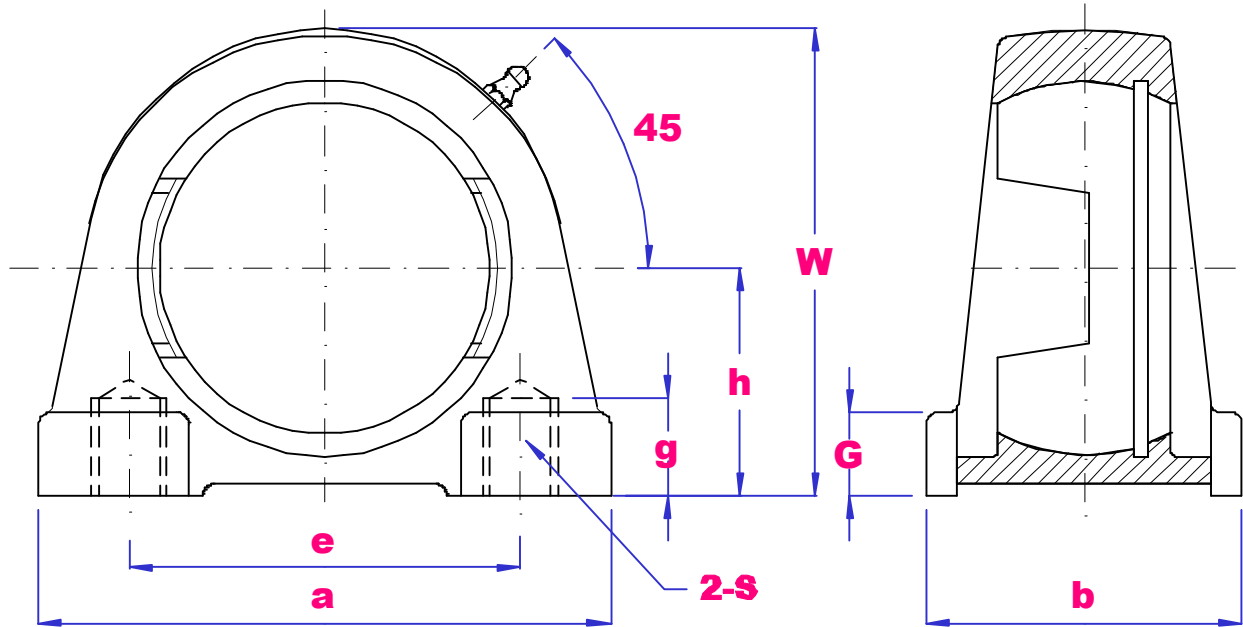




# UBC

## PA200 SERIES HOUSING



PART NO	h mm	a mm	e mm	b mm	G mm	g mm	w mm	S mm	Wgt kg
PA204	30.2	76	52	38	13	11	62	M10	0.43
PA205	36.5	84	56	38	15	12	72	M10	0.62
PA206	42.9	94	66	48	18	12	84	M14	0.89
PA207	47.6	110	80	48	20	13	95	M14	1.24
PA208	49.2	116	84	54	20	13	100	M14	1.27
PA209	54.2	120	90	54	25	13	108	M14	1.52
PA210	57.2	130	94	60	25	14	116	M16	1.82
PA211	63.5	140	104	66	25	14	125	M16	1.93
PA212	69.9	150	114	68	25	14	138	M16	2.73
PA213	76.2	160	124	70	25	15	150	M16	4.37

SUITABLE BEARING SERIES UC200, NA200, UK200, SB200, SA200, CS200

AVAILABLE MACHINED FOR OPEN AND CLOSED COVERS, SUFFIX M.