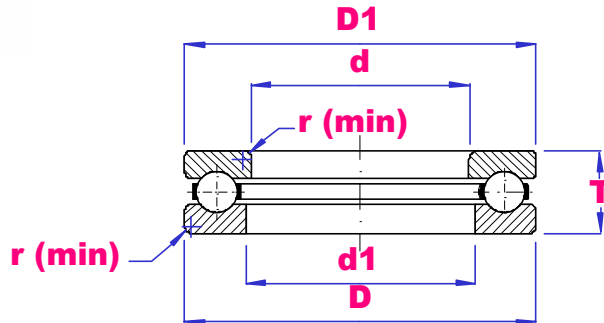




# UBC

## 511/512/513/51400 THRUST BEARINGS 50 – 85 MM ID



PART NO	d mm	d1 mm	D mm	D1 mm	T mm	rmin mm	Load D-kN	Load S-kN	Limiting Speed		Wgt g
									Grease	Oil	
51110	50	52	70	70	14	0.6	25.4	75.5	3200	4800	165
51210		52	78	78	22	1.0	50.0	111	2400	3600	346
51310		52	95	95	31	1.1	86.5	202	1800	2800	932
51410		52	110	110	43	1.5	156	310	1500	2000	2180
51111	55	57	78	78	16	0.6	31.1	93.1	2800	4300	247
51211		57	90	90	25	1.0	61.1	159	2200	3200	382
51311		57	105	105	35	1.1	102	244	1600	2400	1310
51411		57	120	120	48	1.5	180	360	1200	1800	2910
51112	60	62	85	85	17	1.0	36.5	113	2600	4000	281
51212		62	95	95	26	1.0	62.2	169	2000	3000	649
51312		62	110	110	35	1.1	100	263	1600	2400	1360
51412		62	130	130	51	1.5	200	400	1000	1700	3710
51113	65	67	90	90	18	1.0	37.5	117	2400	3800	324
51213		67	100	100	27	1.0	63.8	189	1900	2800	756
51313		67	115	115	36	1.1	106	282	1500	2400	1540
51413		67	140	140	56	2.0	216	450	900	1600	4670
51114	70	72	95	95	18	1.0	39.8	127	2300	3600	346
51214		72	105	105	27	1.0	65.5	189	1800	2700	793
51314		72	125	125	40	1.1	137	315	1400	2000	2010
51414		73	150	150	60	2.0	236	500	850	1600	5720
51115	75	77	100	100	19	1.0	44.1	131	2200	3400	389
51215		77	110	110	27	1.0	67.5	209	1800	2600	845
51315		77	135	135	44	1.5	163	365	1300	1900	2610
51415		78	160	160	65	2.0	250	560	750	1500	7060
51116	80	82	105	105	19	1.0	45.5	141	2100	3300	417
51216		82	115	115	28	1.0	76.5	218	1700	2500	931
51316		82	140	140	44	1.5	160	395	1300	1800	2740
51416		83	170	170	68	2.1	270	620	700	1400	8230
51117	85	87	110	110	19	1.0	46.5	150	2200	3200	441
51217		88	125	125	31	1.0	98.1	264	1600	2400	1220
51317		88	150	150	49	1.5	186	490	1100	1700	3570
51417		88	177	180	72	2.1	290	680	650	1350	9790