

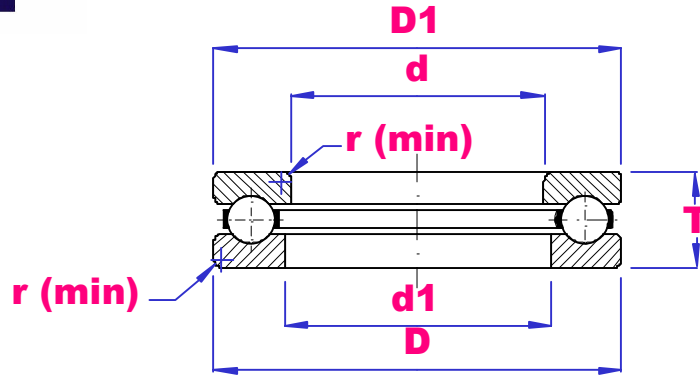


UBC

511/512/513/51400 THRUST BEARINGS 10 – 45 MM ID



Quality
Endorsed
Company
ISO 9001:2000
LIC QEC20818



PART NO	d mm	d1 mm	D mm	D1 mm	T mm	r _{min} mm	Load D-kN	Load S-kN	Limiting Speed		Wgt g
									Grease	Oil	
51100	10	11	24	24	9	0.3	10.1	14.0	6700	10000	19
51200		12	26	26	11	0.6	12.8	17.1	6000	9000	28
51101	12	13	26	26	9	0.3	10.4	15.4	6700	10000	21
51201		14	28	28	11	0.6	13.3	19.0	5600	8500	31
51102	15	16	28	28	9	0.3	10.6	16.8	6300	9500	23
51202		17	32	32	12	0.6	16.7	24.8	5000	7500	43
51103	17	18	30	30	9	0.3	11.4	19.5	6000	9000	25
51203		19	35	35	12	0.6	17.3	27.3	4800	7200	50
51104	20	21	35	35	10	0.3	15.1	26.6	5300	8000	37
51204		22	40	40	14	0.6	22.5	37.5	4300	6300	77
51105	25	26	42	42	11	0.6	19.7	37.0	4800	7100	56
51205		27	47	47	15	0.6	28.1	50.5	3800	5600	111
51305		27	52	52	18	1.0	36.0	61.5	3200	5000	169
51405		27	60	60	24	1.0	51.0	80.0	3000	3600	363
51106	30	32	47	47	11	0.6	20.6	42.0	4300	6700	64
51206		32	52	52	16	0.6	29.5	58.0	3400	5300	137
51306		32	60	60	21	1.0	43.0	78.5	2800	4300	267
51406		32	70	70	28	1.0	72.0	125	2500	3200	577
51107	35	37	52	52	12	0.6	22.1	49.5	4000	6000	81
51207		37	62	62	18	1.0	39.5	78.0	3000	4500	211
51307		37	68	68	24	1.0	56.0	105	2400	3800	386
51407		37	80	80	32	1.1	86.5	156	2000	3000	855
51108	40	42	60	60	13	0.6	27.1	63.0	3600	5300	121
51208		42	68	68	19	1.0	47.5	98.5	2800	4300	265
51308		42	78	78	26	1.0	70.0	135	2200	3400	536
51408		42	90	90	36	1.1	112	204	1800	2400	1170
51109	45	47	65	65	14	0.6	28.1	69.0	3400	5000	143
51209		47	73	73	20	1.0	48.0	105	2600	4000	311
51309		47	85	85	28	1.0	80.5	163	2000	3000	672
51409		47	100	100	39	1.1	129	245	1650	2200	1610