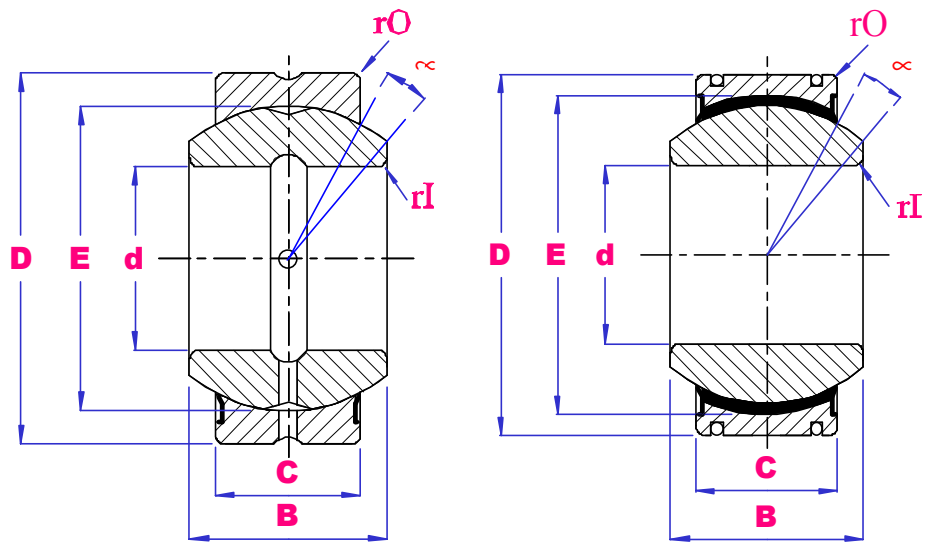


UBC

SPHERICAL PLAIN BEARINGS 17 - 22MM ID



| PART NO | d mm | D mm | B mm | C mm | E mm | r min | α deg | load | | Wgt kg |
|--------------|------|------|------|------|-------|-------|-------|------|-----|--------|
| | | | | | | | | DkN | SkN | |
| GE17ES-2RS | 17 | 30 | 14 | 10 | 25 | 0.3 | 10 | 21 | 106 | 0.041 |
| GE17C | | 30 | 14 | 10 | 25 | 0.3 | 10 | 22 | 56 | 0.041 |
| GE17ET-2RS | | 30 | 14 | 10 | 25 | 0.3 | 10 | 32 | 75 | 0.040 |
| GE17ET-X | | 30 | 14 | 10 | 25 | 0.3 | 10 | 32 | 75 | 0.040 |
| GEEW17ES | | 30 | 17 | 10 | 25 | 0.3 | 7 | 21 | 106 | 0.044 |
| GEG17ES-2RS | | 35 | 20 | 12 | 29 | 0.3 | 19 | 30 | 146 | 0.083 |
| GEG17C | | 35 | 20 | 12 | 29 | 0.3 | 19 | 31 | 78 | 0.083 |
| GEG17ET-2RS | | 35 | 20 | 12 | 29 | 0.3 | 19 | 45 | 104 | 0.083 |
| GEBJ18S | 18 | 35 | 23 | 16.5 | 31.75 | 0.6 | 15 | 25 | 74 | 0.14 |
| GEBJ18C | | 35 | 23 | 16.5 | 31.75 | 0.6 | 15 | 47 | 117 | 0.14 |
| GEBK18S | | 42 | 23 | 16.5 | 31.75 | 0.6 | 15 | 26 | 61 | 0.16 |
| GE20ES-2RS | 20 | 35 | 16 | 12 | 29 | 0.3 | 9 | 30 | 146 | 0.066 |
| GE20C | | 35 | 16 | 12 | 29 | 0.3 | 9 | 31 | 78 | 0.066 |
| GE20ET-2RS | | 35 | 16 | 12 | 29 | 0.3 | 10 | 45 | 104 | 0.064 |
| GE20ET/X | | 35 | 16 | 12 | 29 | 0.3 | 10 | 45 | 104 | 0.064 |
| GEEM20ES-2RS | | 35 | 24 | 12 | 29 | 0.3 | 6 | 30 | 146 | 0.073 |
| GEEW20ES | | 35 | 20 | 12 | 29 | 0.3 | 4 | 30 | 146 | 0.071 |
| GEF20ES | | 32 | 16 | 14 | 28 | 0.5 | 4 | 33 | 166 | 0.053 |
| GEBJ20S | | 40 | 25 | 18 | 34.93 | 0.6 | 15 | 30 | 89 | 0.18 |
| GEBJ20C | | 40 | 25 | 18 | 34.93 | 0.6 | 15 | 56 | 141 | 0.18 |
| GEG20ES-2RS | | 42 | 25 | 16 | 35.5 | 0.3 | 17 | 48 | 240 | 0.153 |
| GEG20C | | 42 | 25 | 16 | 35.5 | 0.3 | 17 | 51 | 127 | 0.153 |
| GEG20ET-2RS | | 42 | 25 | 16 | 35.5 | 0.3 | 17 | 85 | 204 | 0.153 |
| GEBK20S | | 46 | 25 | 18 | 34.93 | 0.6 | 15 | 31 | 73 | 0.21 |
| GEF22ES | | 22 | 37 | 19 | 16 | 32 | 0.5 | 6 | 43 | 217 |
| GEBJ22S | 42 | | 28 | 20 | 38.1 | 0.6 | 15 | 36 | 108 | 0.21 |
| GEBJ22C | 42 | | 28 | 20 | 38.1 | 0.6 | 15 | 68 | 171 | 0.21 |
| GEBK22S | 50 | | 28 | 20 | 38.1 | 0.6 | 15 | 38 | 88 | 0.26 |



INCHES – MILLIMETERS



| INCHES | | 0 | 1 | 2 | 3 | 4 | 5 | 6 | 7 | 8 | 9 | 10 |
|----------|----------|-------------|--------|--------|---------|---------|---------|---------|---------|---------|---------|---------|
| FRACTION | DECIMAL | MILLIMETERS | | | | | | | | | | |
| 0 | 0.000000 | 0.000 | 25.400 | 50.800 | 76.200 | 101.600 | 127.000 | 152.400 | 177.800 | 203.200 | 228.600 | 254.000 |
| 1/64 | 0.015625 | 0.397 | 25.797 | 51.197 | 76.597 | 101.997 | 127.397 | 152.797 | 178.197 | 203.597 | 228.997 | 254.397 |
| 1/32 | 0.031250 | 0.794 | 26.194 | 51.594 | 76.994 | 102.394 | 127.794 | 153.194 | 178.594 | 203.994 | 229.394 | 254.794 |
| 3/64 | 0.046875 | 1.191 | 26.591 | 51.991 | 77.391 | 102.791 | 128.191 | 153.591 | 178.991 | 204.391 | 229.791 | 255.191 |
| 1/16 | 0.062500 | 1.588 | 26.988 | 52.388 | 77.788 | 103.188 | 128.588 | 153.988 | 179.388 | 204.788 | 230.188 | 255.588 |
| 5/64 | 0.078125 | 1.984 | 27.384 | 52.784 | 78.184 | 103.584 | 128.984 | 154.384 | 179.784 | 205.184 | 230.584 | 255.984 |
| 3/32 | 0.093750 | 2.381 | 27.781 | 53.181 | 78.581 | 103.981 | 129.381 | 154.781 | 180.181 | 205.581 | 230.981 | 256.381 |
| 7/64 | 0.109375 | 2.778 | 28.178 | 53.578 | 78.978 | 104.378 | 129.778 | 155.178 | 180.578 | 205.978 | 231.378 | 256.778 |
| 1/8 | 0.125000 | 3.175 | 28.575 | 53.975 | 79.375 | 104.775 | 130.175 | 155.575 | 180.975 | 206.375 | 231.775 | 257.175 |
| 9/64 | 0.140625 | 3.572 | 28.973 | 54.372 | 79.772 | 105.172 | 130.572 | 155.972 | 181.372 | 206.772 | 232.172 | 257.572 |
| 5/32 | 0.156250 | 3.969 | 29.369 | 54.769 | 80.169 | 105.569 | 130.969 | 156.369 | 181.769 | 207.169 | 232.569 | 257.969 |
| 11/64 | 0.171875 | 4.366 | 29.766 | 55.166 | 80.566 | 105.966 | 131.366 | 156.766 | 182.166 | 207.566 | 232.966 | 258.366 |
| 3/16 | 0.187500 | 4.762 | 30.163 | 55.563 | 80.963 | 106.363 | 131.763 | 157.163 | 182.563 | 207.963 | 233.363 | 258.763 |
| 13/64 | 0.203125 | 5.159 | 30.559 | 55.959 | 81.359 | 106.759 | 132.159 | 157.559 | 182.959 | 208.359 | 233.759 | 259.159 |
| 7/32 | 0.218750 | 5.556 | 30.956 | 56.356 | 81.756 | 107.156 | 132.556 | 157.956 | 183.356 | 208.756 | 234.156 | 259.556 |
| 15/64 | 0.234375 | 5.953 | 31.353 | 56.753 | 82.153 | 107.553 | 132.953 | 158.353 | 183.753 | 209.153 | 234.553 | 259.953 |
| 1/4 | 0.250000 | 6.350 | 31.750 | 57.150 | 82.550 | 107.950 | 133.350 | 158.750 | 184.150 | 209.550 | 234.950 | 260.350 |
| 17/64 | 0.265625 | 6.747 | 32.147 | 57.547 | 82.947 | 108.347 | 133.747 | 159.147 | 184.547 | 209.947 | 235.347 | 260.747 |
| 9/32 | 0.281250 | 7.144 | 32.544 | 57.944 | 83.344 | 108.744 | 134.144 | 159.544 | 184.944 | 210.344 | 235.744 | 261.144 |
| 19/64 | 0.296875 | 7.541 | 32.941 | 58.341 | 83.741 | 109.141 | 134.541 | 159.941 | 185.341 | 210.741 | 236.141 | 261.541 |
| 5/16 | 0.312500 | 7.938 | 33.338 | 58.738 | 84.138 | 109.538 | 134.938 | 160.338 | 185.738 | 211.138 | 236.538 | 261.938 |
| 21/64 | 0.328125 | 8.334 | 33.734 | 59.134 | 84.534 | 109.934 | 135.334 | 160.734 | 186.134 | 211.534 | 236.934 | 262.334 |
| 11/32 | 0.343750 | 8.731 | 34.131 | 59.531 | 84.931 | 110.331 | 135.731 | 161.131 | 186.531 | 211.931 | 237.331 | 262.731 |
| 23/64 | 0.359375 | 9.128 | 34.528 | 59.928 | 85.328 | 110.728 | 136.128 | 161.528 | 186.928 | 212.328 | 237.728 | 263.128 |
| 3/8 | 0.375000 | 9.525 | 34.925 | 60.325 | 85.725 | 111.125 | 136.525 | 161.925 | 187.325 | 212.725 | 238.125 | 263.525 |
| 25/64 | 0.390625 | 9.922 | 35.322 | 60.722 | 86.122 | 111.522 | 136.922 | 162.322 | 187.722 | 213.122 | 238.522 | 263.922 |
| 13/32 | 0.406250 | 10.319 | 35.719 | 61.119 | 86.519 | 111.919 | 137.319 | 162.719 | 188.119 | 213.519 | 238.919 | 264.319 |
| 27/64 | 0.421875 | 10.716 | 36.116 | 61.516 | 86.916 | 112.316 | 137.716 | 163.116 | 188.516 | 213.916 | 239.316 | 264.716 |
| 7/16 | 0.437500 | 11.113 | 36.513 | 61.913 | 87.313 | 112.713 | 138.113 | 163.513 | 188.913 | 214.313 | 239.713 | 265.113 |
| 29/64 | 0.453125 | 11.509 | 36.909 | 62.309 | 87.709 | 113.109 | 138.509 | 163.909 | 189.309 | 214.709 | 240.109 | 265.509 |
| 15/32 | 0.468750 | 11.906 | 37.306 | 62.706 | 88.106 | 113.506 | 138.906 | 164.306 | 189.706 | 215.106 | 240.506 | 265.906 |
| 31/32 | 0.484375 | 12.303 | 37.703 | 63.103 | 88.503 | 113.903 | 139.303 | 164.703 | 190.103 | 215.503 | 240.903 | 266.303 |
| 1/2 | 0.500000 | 12.700 | 38.100 | 63.500 | 88.900 | 114.300 | 139.700 | 165.100 | 190.500 | 215.900 | 241.300 | 266.700 |
| 33/64 | 0.515625 | 13.097 | 38.497 | 63.897 | 89.297 | 114.697 | 140.097 | 165.495 | 190.897 | 216.297 | 241.697 | 267.097 |
| 17/32 | 0.531250 | 13.494 | 38.894 | 64.294 | 89.694 | 115.094 | 140.494 | 165.894 | 191.294 | 216.694 | 242.094 | 267.494 |
| 35/64 | 0.546875 | 13.891 | 39.291 | 64.691 | 90.091 | 115.491 | 140.891 | 166.291 | 191.691 | 217.091 | 242.491 | 267.891 |
| 9/16 | 0.562500 | 14.288 | 39.688 | 65.088 | 90.488 | 115.888 | 141.288 | 166.688 | 192.088 | 217.488 | 242.888 | 268.288 |
| 37/64 | 0.578125 | 14.684 | 40.084 | 65.484 | 90.884 | 116.284 | 141.684 | 167.084 | 192.484 | 217.884 | 243.284 | 268.684 |
| 19/32 | 0.593750 | 15.081 | 40.481 | 65.881 | 91.281 | 116.681 | 142.081 | 167.481 | 192.881 | 218.281 | 243.681 | 269.081 |
| 39/64 | 0.609375 | 15.478 | 40.878 | 66.278 | 91.678 | 117.078 | 142.478 | 167.878 | 193.278 | 218.678 | 244.078 | 269.478 |
| 5/8 | 0.625000 | 15.875 | 41.275 | 66.675 | 92.075 | 117.475 | 142.875 | 168.275 | 193.675 | 219.075 | 244.475 | 269.875 |
| 41/64 | 0.640625 | 16.272 | 41.672 | 67.072 | 92.472 | 117.872 | 143.272 | 168.672 | 194.072 | 219.472 | 244.872 | 270.272 |
| 21/32 | 0.656250 | 16.669 | 42.069 | 67.469 | 92.869 | 118.269 | 143.669 | 169.069 | 194.469 | 219.869 | 245.269 | 270.669 |
| 43/64 | 0.671875 | 17.066 | 42.466 | 67.866 | 93.266 | 118.666 | 144.066 | 169.466 | 194.866 | 220.266 | 245.666 | 271.066 |
| 11/16 | 0.687500 | 17.463 | 42.863 | 68.263 | 93.663 | 119.063 | 144.463 | 169.863 | 195.263 | 220.663 | 246.063 | 271.463 |
| 45/64 | 0.703125 | 17.859 | 43.259 | 68.659 | 94.059 | 119.459 | 144.859 | 170.259 | 195.659 | 221.059 | 246.459 | 271.859 |
| 23/32 | 0.718750 | 18.256 | 43.656 | 69.056 | 94.456 | 119.856 | 145.256 | 170.656 | 196.056 | 221.456 | 246.856 | 272.256 |
| 47/64 | 0.734375 | 18.653 | 44.053 | 69.453 | 94.853 | 120.253 | 145.653 | 171.053 | 196.453 | 221.853 | 247.253 | 272.653 |
| 3/4 | 0.750000 | 19.050 | 44.450 | 69.850 | 95.250 | 120.650 | 146.050 | 171.450 | 196.850 | 222.250 | 247.650 | 273.050 |
| 49/64 | 0.765625 | 19.447 | 44.847 | 70.247 | 95.647 | 121.047 | 146.447 | 171.847 | 197.247 | 222.647 | 248.047 | 273.447 |
| 25/32 | 0.781250 | 19.844 | 45.244 | 70.644 | 96.044 | 121.444 | 146.844 | 172.244 | 197.644 | 223.044 | 248.444 | 273.844 |
| 51/64 | 0.796875 | 20.241 | 45.641 | 71.041 | 96.441 | 121.841 | 147.241 | 172.641 | 198.041 | 223.441 | 248.841 | 274.241 |
| 13/16 | 0.812500 | 20.638 | 46.038 | 71.438 | 96.838 | 122.238 | 147.638 | 173.038 | 198.438 | 223.838 | 249.238 | 274.638 |
| 53/64 | 0.828125 | 21.034 | 46.434 | 71.834 | 97.234 | 122.634 | 148.034 | 173.434 | 198.834 | 224.234 | 249.634 | 275.034 |
| 27/32 | 0.843750 | 21.431 | 46.831 | 72.231 | 97.631 | 123.031 | 148.431 | 173.831 | 199.231 | 224.631 | 250.031 | 275.431 |
| 55/64 | 0.859375 | 21.828 | 47.228 | 72.628 | 98.028 | 123.428 | 148.828 | 174.228 | 199.628 | 225.028 | 250.428 | 275.828 |
| 7/8 | 0.875000 | 22.225 | 47.625 | 73.025 | 98.425 | 123.825 | 149.225 | 174.625 | 200.025 | 225.425 | 250.825 | 276.225 |
| 57/64 | 0.890625 | 22.622 | 48.022 | 73.422 | 98.822 | 124.222 | 149.622 | 175.022 | 200.422 | 225.822 | 251.222 | 276.622 |
| 29/32 | 0.906250 | 23.019 | 48.419 | 73.819 | 99.219 | 124.619 | 150.019 | 175.419 | 200.819 | 226.219 | 251.619 | 277.019 |
| 59/64 | 0.921875 | 23.416 | 48.816 | 74.216 | 99.616 | 125.016 | 150.416 | 175.816 | 201.216 | 226.616 | 252.016 | 277.416 |
| 15/16 | 0.937500 | 23.813 | 49.213 | 74.613 | 100.013 | 125.413 | 150.813 | 176.213 | 201.613 | 227.013 | 252.413 | 277.813 |
| 61/64 | 0.953125 | 24.209 | 49.609 | 75.009 | 100.409 | 125.809 | 151.209 | 176.609 | 202.009 | 227.409 | 252.809 | 278.209 |
| 31/32 | 0.968750 | 24.606 | 50.006 | 75.406 | 100.806 | 126.206 | 151.606 | 177.006 | 202.406 | 227.806 | 253.206 | 278.606 |
| 63/64 | 0.984375 | 25.003 | 50.403 | 75.803 | 101.203 | 126.603 | 152.003 | 177.403 | 202.803 | 228.203 | 253.603 | 279.003 |



MILLIMETERS - - INCHES



| MM | 0 | 10 | 20 | 30 | 40 | 50 | 60 | 70 | 80 | 90 |
|----|---------|---------|---------|---------|---------|---------|---------|---------|---------|---------|
| 0 | 0.00000 | 0.39370 | 0.78740 | 1.18110 | 1.57480 | 1.96850 | 2.36220 | 2.75591 | 3.14961 | 3.54331 |
| 1 | 0.03937 | 0.43307 | 0.82677 | 1.22047 | 1.61417 | 2.00787 | 2.40157 | 2.79528 | 3.18898 | 3.58268 |
| 2 | 0.07874 | 0.47244 | 0.86614 | 1.25984 | 1.65354 | 2.04724 | 2.44094 | 2.83465 | 3.22835 | 3.62205 |
| 3 | 0.11811 | 0.51181 | 0.90551 | 1.29921 | 1.69291 | 2.08661 | 2.48031 | 2.87402 | 3.26772 | 3.66142 |
| 4 | 0.15748 | 0.55118 | 0.94488 | 1.33858 | 1.73228 | 2.12598 | 2.51969 | 2.91339 | 3.30709 | 3.70079 |
| 5 | 0.19685 | 0.59055 | 0.98425 | 1.37795 | 1.77165 | 2.16535 | 2.55906 | 2.95276 | 3.34646 | 3.74016 |
| 6 | 0.23622 | 0.62992 | 1.02362 | 1.41732 | 1.81102 | 2.20472 | 2.59843 | 2.99213 | 3.38583 | 3.77953 |
| 7 | 0.27559 | 0.66929 | 1.06299 | 1.45669 | 1.85039 | 2.24409 | 2.63780 | 3.03150 | 3.42520 | 3.81890 |
| 8 | 0.31496 | 0.70866 | 1.10236 | 1.49606 | 1.88976 | 2.28346 | 2.67717 | 3.07087 | 3.46457 | 3.85827 |
| 9 | 0.35433 | 0.74803 | 1.14173 | 1.53543 | 1.92913 | 2.32283 | 2.71653 | 3.11024 | 3.50394 | 3.89764 |

| MM = INCH | | MM = INCH | | MM = INCH | |
|-----------|----------|-----------|----------|-----------|----------|
| 0.001 | 0.000039 | 0.01 | 0.000393 | 0.1 | 0.003937 |
| 0.002 | 0.000079 | 0.02 | 0.000787 | 0.2 | 0.007874 |
| 0.003 | 0.000118 | 0.03 | 0.001811 | 0.3 | 0.011811 |
| 0.004 | 0.000157 | 0.04 | 0.001575 | 0.4 | 0.015748 |
| 0.005 | 0.000197 | 0.05 | 0.001969 | 0.5 | 0.019685 |
| 0.006 | 0.000236 | 0.06 | 0.002362 | 0.6 | 0.023622 |
| 0.007 | 0.000276 | 0.07 | 0.002756 | 0.7 | 0.027559 |
| 0.008 | 0.000315 | 0.08 | 0.003150 | 0.8 | 0.031496 |
| 0.009 | 0.000354 | 0.09 | 0.003543 | 0.9 | 0.035433 |

| MM | 100 | 150 | 200 | 250 | 300 | 350 |
|----|---------|---------|---------|---------|---------|---------|
| 0 | 3.93701 | 5.90551 | 7.87402 | 9.84252 | 11.8110 | 13.7795 |
| 5 | 4.13386 | 6.10236 | 8.07087 | 10.0394 | 12.0079 | 13.9764 |
| 10 | 4.33071 | 6.29921 | 8.26772 | 10.2362 | 12.2047 | 14.1732 |
| 15 | 4.52756 | 6.49606 | 8.46457 | 10.4331 | 12.4016 | 14.3701 |
| 20 | 4.72441 | 6.69291 | 8.66142 | 10.6299 | 12.5984 | 14.5669 |
| 25 | 4.92126 | 6.88976 | 8.85827 | 10.8268 | 12.7953 | 14.7638 |
| 30 | 5.11811 | 7.09661 | 9.05512 | 11.0236 | 12.9921 | 14.9606 |
| 35 | 5.31496 | 7.28346 | 9.25197 | 11.2205 | 13.1890 | 15.1575 |
| 40 | 5.51181 | 7.48031 | 9.44882 | 11.4137 | 13.3858 | 15.3543 |
| 45 | 5.70866 | 7.67716 | 9.64567 | 11.6142 | 13.5827 | 15.5512 |