

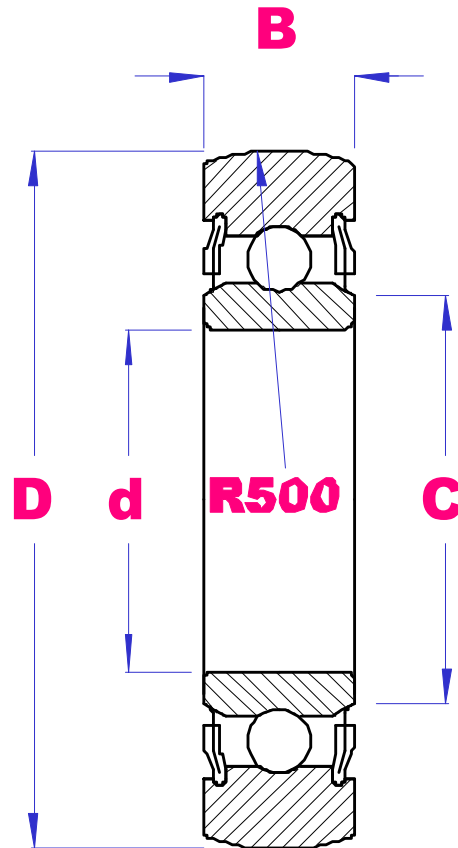


# UBC

## LR200 NPPU METRIC TRACK ROLLERS



Quality  
Endorsed  
Company  
ISO 9001:2000  
LIC QEC20818



PART NO	d	D	B	C	r min	Load D-kN	Load S-kN	Max rpm	Wgt g
LR200NPPU	10	32	9	15.4	0.6	4.35	2.15	13000	50
LR201NPPU	12	35	10	17.1	0.6	5.6	2.7	12000	50
LR202NPPU	15	40	11	20	0.6	6.5	3.3	11000	70
LR203NPPU	17	47	12	22.5	0.6	8.4	4.4	9000	110
LR204NPPU	20	52	14	26.5	1.0	10.5	5.6	8000	150
LR205NPPU	25	62	15	30.3	1.0	12.5	7.1	7000	230
LR206NPPU	30	72	16	37.4	1.0	16.6	9.6	5500	330
LR207NPPU	35	80	17	42.4	1.1	20.2	11.9	4500	400
LR209NPPU	45	90	19	53.2	1.1	22.5	13.7	3600	500