

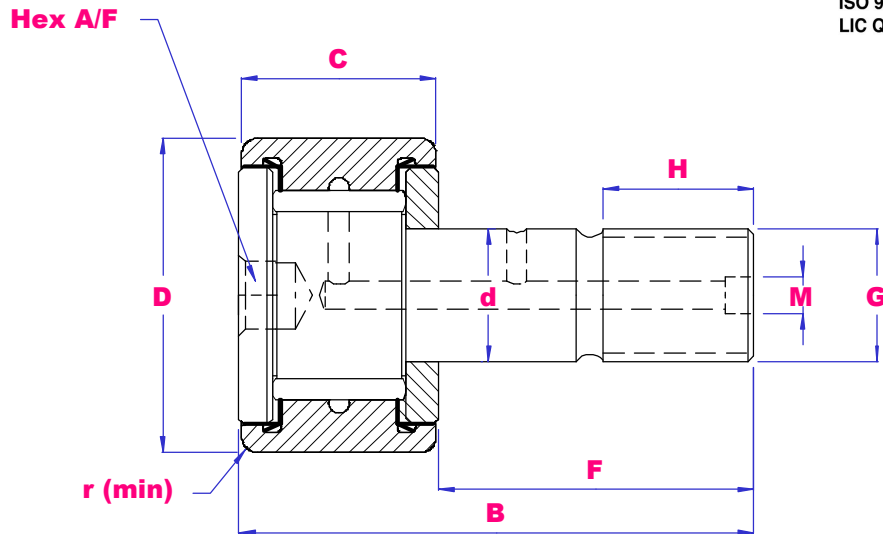


# UBC

## INCH HEAVY CAMFOLLOWERS



Quality  
Endorsed  
Company  
ISO 9001:2000  
LIC QEC20818



PART NO	d	D	C	B	F	G	H	M	r min	Load D-kN	Load S-kN	Max rpm	Wgt g
CFH1/2SB	1/4 6.35	1/2 12.7	3/8 9.525	1.1/32 26.194	5/8 15.875	1/4-28	1/4 6.35	1/8 3.175	1/64 0.397	4.8	5.5	15000	12
CFH5/8SB	5/16 7.938	5/8 15.875	7/16 11.112	1.7/32 30.956	3/4 19.05	5/16-24	5/16 7.938	1/8 3.175	1/64 0.397	6.5	8.7	11000	23
CFH3/4SB	7/16 11.112	3/4 19.05	1/2 12.7	1.13/32 35.719	7/8 22.225	7/16-20	3/8 9.525	3/16 4.762	1/32 0.794	8.9	12.5	8000	39
CFH7/8SB	7/16 11.112	7/8 22.225	1/2 12.7	1.13/32 35.719	7/8 22.225	7/16-20	3/8 9.525	3/16 4.762	1/32 0.794	8.9	12.5	8000	49
CFH1SB	5/8 15.875	1 25.4	5/8 15.875	1.21/32 42.069	1 25.4	5/8-18	1/2 12.7	3/16 4.762	3/64 1.191	13.3	23.1	6500	93
CFH1.1/4SB	3/4 19.05	1.1/4 31.75	3/4 19.05	2.1/32 51.594	1.1/4 31.75	3/4-16	5/8 15.875	3/16 4.762	1/16 1.588	24.1	32.3	5500	176
CFH1.3/8SB	3/4 19.05	1.3/8 34.925	3/4 19.05	2.1/32 51.594	1.1/4 31.75	3/4-16	5/8 15.875	3/16 4.762	1/16 1.588	24.1	32.3	5500	200
CFH1.1/2SB	7/8 22.225	1.1/2 38.1	7/8 22.225	2.13/32 61.119	1.1/2 38.1	7/8-14	3/4 19.05	3/16 4.762	1/16 1.588	28.7	40.9	4500	296
CFH1.5/8SB	7/8 22.225	1.5/8 41.275	7/8 22.225	2.13/32 61.119	1.1/2 38.1	7/8-14	3/4 19.05	3/16 4.762	1/16 1.588	28.7	40.9	4500	296
CFH1.3/4SB	1 25.4	1.3/4 44.45	1 25.4	2.25/32 70.644	1.3/4 44.45	1-14	7/8 22.225	3/16 4.762	1/16 1.588	35.9	56.7	4000	463
CFH2SB	1.1/8 28.575	2 50.8	1.1/4 31.75	3.9/32 83.343	2 50.8	1.1/8-12	1 25.4	3/16 4.762	1/16 1.588	46.6	82.2	3500	722
CFH2.1/4SB	1.1/8 28.575	2.1/4 57.15	1.1/4 31.75	3.9/32 83.343	2 50.8	1.1/8-12	1 25.4	3/16 4.762	1/16 1.588	46.6	82.2	3500	858
CFH2.1/2SB	1.1/4 31.75	2.1/2 63.5	1.1/2 38.1	3.25/32 96.044	2.1/4 57.15	1.1/4-12	1.1/8 28.575	3/16 4.762	1/16 1.588	62.6	119	3000	1260
CFH2.3/4SB	1.1/4 31.75	2.3/4 69.85	1.1/2 38.1	3.25/32 96.044	2.1/4 57.15	1.1/4-12	1.1/8 28.575	3/16 4.762	1/16 1.588	62.6	119	2800	1460
CFH3SB	1.1/2 38.1	3 76.2	1.3/4 44.45	4.9/32 108.74	2.1/2 63.5	1.1/2-12	1.1/4 31.75	1/4 6.35	3/32 2.382	79.7	176	2400	2100
CFH3.1/2SB	1.3/4 44.45	3.1/2 88.9	2 50.8	4.25/32 121.44	2.3/4 69.85	1.3/4-12	1.3/8 34.925	1/4 6.35	3/32 2.382	113.6	246	2100	3240
CFH4SB	2 50.8	4 101.6	2.1/4 57.15	5.25/32 146.84	3.1/2 88.9	2-12	1.1/2 38.1	1/4 6.35	3/32 2.382	144.5	325	1900	4960