



# INDEX



<b>PRODUCT</b>		<b>PAGE</b>
<b>BEARINGS</b>		
21300	SERIES SPHERICAL ROLLER BEARINGS	1-6
22200	SERIES SPHERICAL ROLLER BEARINGS	1-6
22300	SERIES SPHERICAL ROLLER BEARINGS	1-6
23000	SERIES SPHERICAL ROLLER BEARINGS	1-6
23100	SERIES SPHERICAL ROLLER BEARINGS	1-6
23200	SERIES SPHERICAL ROLLER BEARINGS	1-6
24000	SERIES SPHERICAL ROLLER BEARINGS	1-6
24100	SERIES SPHERICAL ROLLER BEARINGS	1-6
23800	SERIES SPHERICAL ROLLER BEARINGS	1-6
23900	SERIES SPHERICAL ROLLER BEARINGS	1-6
21300K	SERIES SPHERICAL ROLLER BEARINGS	7-10
22200K	SERIES SPHERICAL ROLLER BEARINGS	7-10
22300K	SERIES SPHERICAL ROLLER BEARINGS	7-10
23000K	SERIES SPHERICAL ROLLER BEARINGS	7-10
23100K	SERIES SPHERICAL ROLLER BEARINGS	7-10
23200K	SERIES SPHERICAL ROLLER BEARINGS	7-10
24000K	SERIES SPHERICAL ROLLER BEARINGS	7-10
24100K	SERIES SPHERICAL ROLLER BEARINGS	7-10
23800K	SERIES SPHERICAL ROLLER BEARINGS	7-10
23900K	SERIES SPHERICAL ROLLER BEARINGS	7-10
SPLIT SPHERICAL ROLLER BEARINGS		11
SLO4 - 5000PP SHEAVE ROLLER BEARINGS		12

<b>ADAPTER SLEEVES</b>	
H/HE200 SERIES	13
H/HE300 SERIES	13
H/HE2300 SERIES	13
HX SERIES HEAVY WALL THICKNESS	13
OH2300 SERIES HYDRAULIC	14
OH3000 SERIES HYDRAULIC	14
OH3100 SERIES HYDRAULIC	14
AH/AHX SERIES WITHDRAWAL SLEEVE	15
KM LOCK NUTS	16
MB TAB WASHERS	16

COMPLETE UNIT COMPONENT LIST	17
------------------------------	----

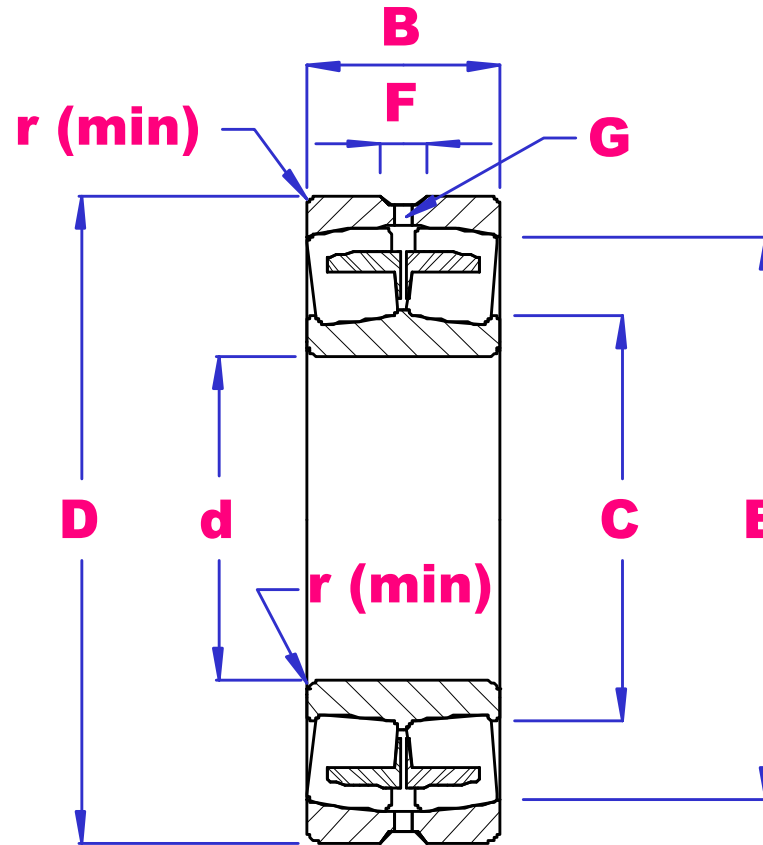
<b>HOUSINGS</b>	
SNU 500 HOUSINGS	18
SNU 600 HOUSINGS	19
T/FSSN500 SG TAC HOUSINGS	20
SD3000 SG TAC HOUSINGS	21
SD3100 SG TAC HOUSINGS	22
FCM500SG TAC HOUSINGS	23
THM500 SG TAC HOUSINGS	24

<b>LOCKING ASSEMBLIES</b>	
Z-LOCK TYPICAL APPLICATIONS	25
Z2 SERIES MEDIUM DUTY NON SELF CENTERING	26-27
Z2 SERIES MINIMUM HUB DIAMETER	28
Z2 SERIES FITTING INSTRUCTIONS	29
Z5 SERIES HEAVY DUTY SELF CENTERING	30
Z5-V SERIES HEAVY DUTY COUNTERBORED SCREWS	30
Z5 SERIES MINIMUM HUB DIAMETER	31
Z5-Z6 SERIES FITTING INSTRUCTIONS	32
Z6 SERIES EXTRA HEAVY DUTY SELF CENTERING	33
Z6 SERIES MINIMUM HUB DIAMETER	34
Z8 SERIES MEDIUM DUTY FLANGED SELF CENTERING	35
Z8 SERIES MINIMUM HUB DIAMETER	36
Z8 SERIES FITTING INSTRUCTIONS	37
ZSD SERIES HEAVY DUTY SHRINK DISCS	38-39
ZSD SERIES FITTING INSTRUCTIONS	40

# UBC



**SPHERICAL ROLLER BEARINGS  
PARALLEL BORE**



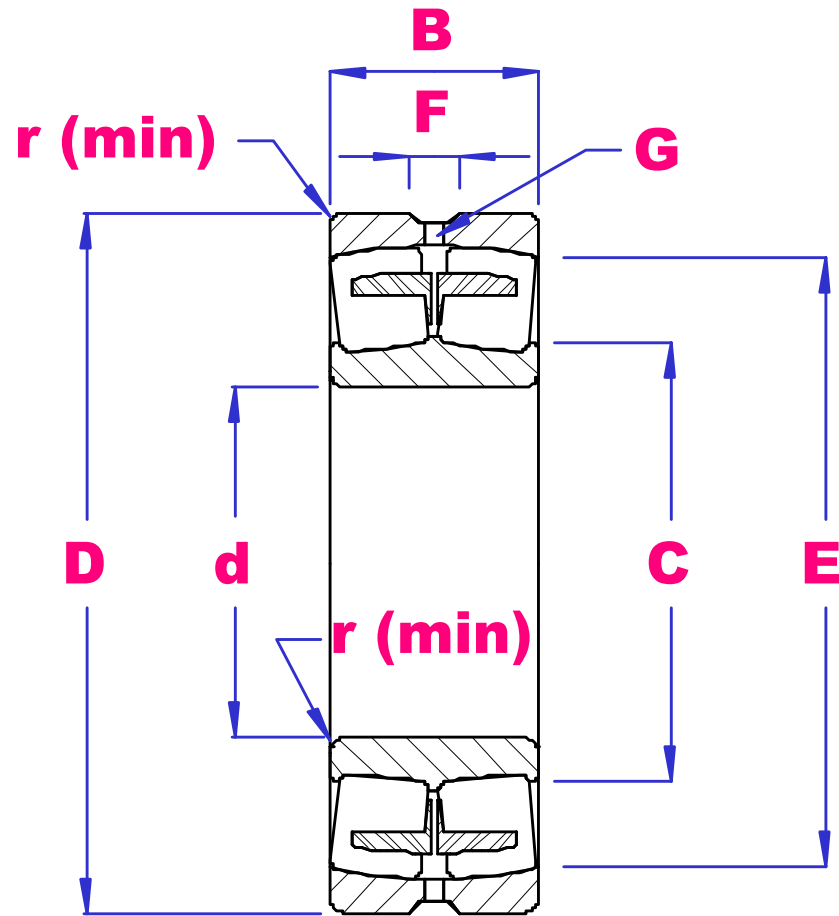
PART NO	d	D	B	r min	C	E	F	G	LOAD RATING		SPEED RATING(rpm)		WGT kg
									DkN	SkN	GREASE	OIL	
22205	25	52	18	1.0	31	46	4.8	2.0	41	43	8000	10000	0.15
22206	30	62	20	1.0	36	56	4.8	2.0	55	59	6600	8600	0.25
21306		72	19	1.1	37	65	-	-	52	51	4500	6000	0.38
22207	35	72	23	1.1	42	65	4.8	2.0	63.5	82	6400	7800	0.38
21307		80	21	1.5	44	71	-	-	70	75	4000	5800	0.51
22208	40	80	23	1.1	50.4	69	5.5	2.0	68.5	74.5	6000	7500	0.53
21308		90	23	1.5	56	74	-	-	67.5	73.5	3800	6000	0.71
22308		90	33	1.5	56	74	5.5	2.5	105	130	4500	5600	1.01
22209	45	85	23	1.1	57.6	73	5.5	2.0	80.5	95	5300	6700	0.63
21309		100	25	1.5	63	81.4	5.5	2.0	80.5	92	4500	5500	0.95
22309		100	36	1.5	63	81.4	5.5	2.5	127	168	3800	4800	1.52

<b>22210</b>	<b>50</b>	90	23	1.1	62.2	78.3	5.5	2.0	81	95	5000	6300	0.63
<b>21310</b>		110	27	2.0	69	90.6	5.5	2.0	95	96	4200	4800	1.24
<b>22310</b>		110	40	2.0	69	90.6	5.5	2.5	157	208	3400	4300	2.17
<b>22211</b>	<b>55</b>	100	25	1.5	68.8	87.3	5.5	2.0	90.5	119	4500	5600	0.88
<b>21311</b>		120	29	2.0	75	99.5	5.5	2.0	120	132	3800	4300	1.62
<b>22311</b>		120	43	2.0	75	99.5	5.5	2.5	175	230	3200	4000	2.62
<b>22212</b>	<b>60</b>	110	28	1.5	75.2	95	5.5	2.0	110	154	4000	5000	1.02
<b>21312</b>		130	31	2.1	81.4	108	5.5	2.0	163	152	3400	4000	1.98
<b>22312</b>		130	46	2.1	81.4	108	5.5	2.5	212	284	3000	3800	3.33
<b>22213</b>	<b>65</b>	120	31	1.5	81.5	103	5.5	2.5	135	193	3800	4800	1.56
<b>21313</b>		140	33	2.1	88.6	119	5.5	2.5	157	200	2800	3600	2.58
<b>22313</b>		140	48	2.1	88.6	116	5.5	3.0	238	325	2600	3400	4.91
<b>22214</b>	<b>70</b>	125	31	1.5	86.8	109	6.0	2.5	141	205	3600	4500	1.83
<b>21314</b>		150	35	2.1	95.8	125	6.0	2.5	216	258	2600	3400	2.48
<b>22314</b>		150	51	2.1	95.8	125	8.3	4.0	300	360	2400	3200	5.23
<b>22215</b>	<b>75</b>	130	31	1.5	92	114	5.5	2.5	139	208	3400	4300	1.71
<b>21315</b>		160	37	2.1	101	133	5.5	2.5	236	280	2400	3200	3.62
<b>22315</b>		160	55	2.1	101	133	8.3	4.0	325	420	2200	3000	5.44
<b>22216</b>	<b>80</b>	140	33	2.0	98.9	98.9	5.5	2.5	150	225	3200	4000	2.11
<b>21316</b>		170	39	2.1	109	109	5.5	2.5	255	315	2200	3000	4.32
<b>22316</b>		170	58	2.1	109	109	8.3	4.0	345	495	2000	2800	7.4
<b>22217</b>	<b>85</b>	150	36	2.0	105	132	6.5	3.0	175	254	3000	3800	2.71
<b>21317</b>		180	41	3.0	115	150	6.5	3.0	290	360	2100	2400	5.22
<b>22317</b>		180	60	3.0	115	150	8.3	4.0	375	540	1900	2600	8.11
<b>22218</b>	<b>90</b>	160	40	2.0	111	139	8.3	2.5	188	258	2600	3400	3.45
<b>23218</b>		160	52.4	2.0	112	136	5.5	2.5	338	475	1900	2600	4.75
<b>21318</b>		190	43	3.0	123	159	5.5	2.5	315	400	1900	2600	6.22
<b>22318</b>		190	64	3.0	123	159	8.3	5.0	420	625	1800	2400	11.3
<b>22219</b>	<b>95</b>	170	43	2.1	119	148	8.3	3.0	245	375	2400	3200	4.57
<b>21319</b>		200	45	3.0	128	167	8.3	3.0	330	420	1900	2600	7.45
<b>22319</b>		200	67	3.0	128	167	8.3	5.0	465	685	1800	2400	10.5
<b>23920</b>	<b>100</b>	140	30	1.1	106	133	5.5	2.5	132	225	2600	3400	1.46
<b>23020</b>		150	37	1.5	116	135	5.5	3.0	215	400	2400	3200	2.55
<b>23120</b>		165	52	2.0	121	143	5.5	3.0	287	510	2000	2800	4.42
<b>22220</b>		180	46	2.1	124	156	8.3	3.0	277	525	2200	3000	5.11
<b>23220</b>		180	60.3	2.1	125	153	8.3	4.0	400	570	1700	2200	6.35
<b>21320</b>		215	47	3.0	138	179	8.3	5.0	360	495	1700	2200	9.15
<b>22320</b>		215	73	3.0	138	179	8.3	5.0	540	815	1700	2200	13.6

# UBC



**SPHERICAL ROLLER BEARINGS  
PARALLEL BORE**



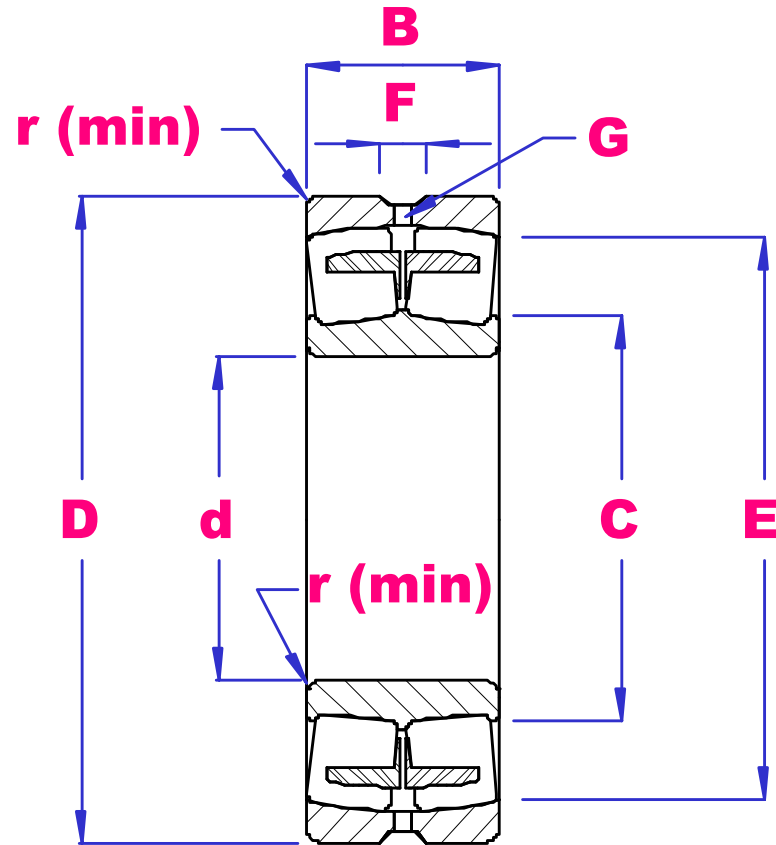
PART NO	d	D	B	r min	C	E	F	G	LOAD RATING		SPEED RATING(rpm)		WGT kg
									DkN	SkN	GREASE	OIL	
23922	110	150		1.1	110	143	-	-					
23022		170	45	2.0	128	150	7.5	3.0	253	460	2200	3000	3.54
23122		180	56	2.0	132	156	7.5	3.0	325	580	1900	2600	5.73
24122		180	69	2.0	131	153	7.5	3.0	425	750	1000	1400	6.92
22222		200	53	2.1	139	173	8.3	4.0	385	625	2000	2800	7.24
23222		200	69.8	2.1	138	168	12	5.0	490	720	1600	2000	9.83
22322		240	80	3.0	151	197	13.9	6.0	630	955	1600	2000	18.7
23924	120	165		1.1	128	152	-	-					
23024		180	46	2.0	139	162	5.5	3.0	263	495	2000	2800	4.32
24024		180	60	2.0	139	158	5.5	3.0	325	660	1600	2000	5.83

<b>23124</b>		200	62	2.0	146	174	5.5	3.0	405	715	1800	2400	8.22
<b>24124</b>		200	80	2.0	146	167	5.5	3.0	495	925	900	1200	10.6
<b>22224</b>		215	58	2.1	149	187	11.1	4.0	425	680	1900	2600	9.76
<b>23224</b>		215	76	2.1	150	182	8.3	5.0	535	940	1500	1900	12.1
<b>22324</b>		260	86	3.0	165	215	13.9	6.0	720	1100	1400	1800	23.3
<b>23926</b>	<b>130</b>	180	37	1.5	138	168	-	-					2.87
<b>23026</b>		200	52	2.0	153	179	9.5	4.0	340	350	1900	2600	7.05
<b>24026</b>		200	69	2.0	153	185	9.5	4.0	405	715	1400	1800	8.22
<b>23126</b>		210	64	2.0	156	183	8.3	4.0	430	790	1700	2200	10.7
<b>24126</b>		210	80	3.0	156	200	8.3	4.0	530	920	850	1100	11.1
<b>22226</b>		230	64	3.0	162	200	10	5.0	490	805	1800	2400	12.4
<b>23226</b>		230	80	3.0	161	194	12	5.0	670	1020	1300	1700	15.8
<b>22326</b>		280	93	4.0	178	232	16.7	6.0	840	1300	1300	1700	18.1
<b>23928</b>	<b>140</b>	190	37	1.5	148	178	-	-					
<b>23028</b>		210	53	2.0	162	188	8.3	4.5	365	705	1800	2400	6.68
<b>24028</b>		210	69	2.0	162	186	8.3	5.0	435	790	1300	1600	8.95
<b>23128</b>		225	68	2.1	166	196	8.3	4.5	490	935	1600	2000	10.9
<b>24128</b>		225	85	2.1	165	192	8.3	4.5	580	1180	850	1100	13.5
<b>22228</b>		250	68	3.0	176	218	11.1	5.0	560	930	1700	2200	16.2
<b>23228</b>		250	88	3.0	173	215	15	6.0	910	1365	1200	1600	19.7
<b>22328</b>		300	102	4.0	191	249	16.7	7.0	1210	1950	1100	1500	36.2
<b>23930</b>	<b>150</b>	210		2.0	152	192	-	-					
<b>23030</b>		225	56	2.1	174	201	8.3	4.5	400	795	1700	2200	8.01
<b>24030</b>		225	75	2.1	175	196	5.5	3.0	500	1050	1300	1700	9.39
<b>23130</b>		250	80	2.1	182	212	11.1	5.0	745	685	1400	1800	16.5
<b>24130</b>		250	100	2.1	182	218	8.3	4.5	855	1435	800	1000	20.1
<b>22230</b>		270	73	3.0	189	234	12	6.0	630	1050	1600	2000	18.7
<b>23230</b>		270	96	3.0	188	228	11.1	6.0	950	1550	1100	1500	26.6
<b>22330</b>		320	108	4.0	203	265	16.7	9.0	1120	1810	1000	1400	41.5
<b>23932</b>	<b>160</b>	220	45	2.0	170	210	-	-					
<b>23032</b>		240	60	2.1	186	216	8.3	5.0	445	875	1700	2200	10.0
<b>24032</b>		240	80	2.1	183	209	8.3	5.0	570	1210	1100	1500	13.2
<b>23132</b>		270	86	2.1	195	234	13.9	6.0	765	1430	1300	1700	21.9
<b>24132</b>		270	109	2.1	193	225	8.3	4.0	865	1690	700	900	24.6
<b>22232</b>		290	80	3.0	201	249	13.9	7.0	750	1300	1500	1900	24.3
<b>23232</b>		290	104	3.0	200	244	13.9	7.0	955	1770	1000	1400	29.2
<b>22332</b>		340	114	4.0	216	284	16.7	7.0	1270	2050	950	1300	52.5

# UBC



## SPHERICAL ROLLER BEARINGS PARALLEL BORE



PART NO	d	D	B	r min	C	E	F	G	LOAD RATING		SPEED RATING (rpm)		WGT kg
									DkN	SkN	grease	oil	
23934	170	230	45	2.0	180	220	9.5	4	320	660	1800	2200	5.5
23034		260	67	2.1	198	231	11.1	5	555	1090	1600	2000	14.2
24034		260	90	2.1	198	227	8.3	4	705	1500	1000	1400	17.8
23134		280	88	2.1	204	243	11.1	5	730	1390	1200	1600	24.6
24134		280	109	2.1	203	237	8.3	4	915	1830	670	850	24.8
22234		310	86	4.0	215	268	16.7	6	845	1450	1300	1700	26.8
23234		310	110	4.0	214	261	13.9	7	1070	1930	950	1300	38.0
22334		360	120	4.0	231	299	16.7	7	1320	2120	950	1300	62.6
23936	180	250	52	2.0	204	230	9.5	4	430	830	1700	2200	7.35
23036		280	74	2.1	214	247	13.9	7.5	630	1280	1400	1800	17.7
24036		280	100	2.1	210	242	8.3	4	835	1750	950	1300	26.6
23136		300	96	3.0	216	259	11.1	6	900	1720	1100	1500	27.1

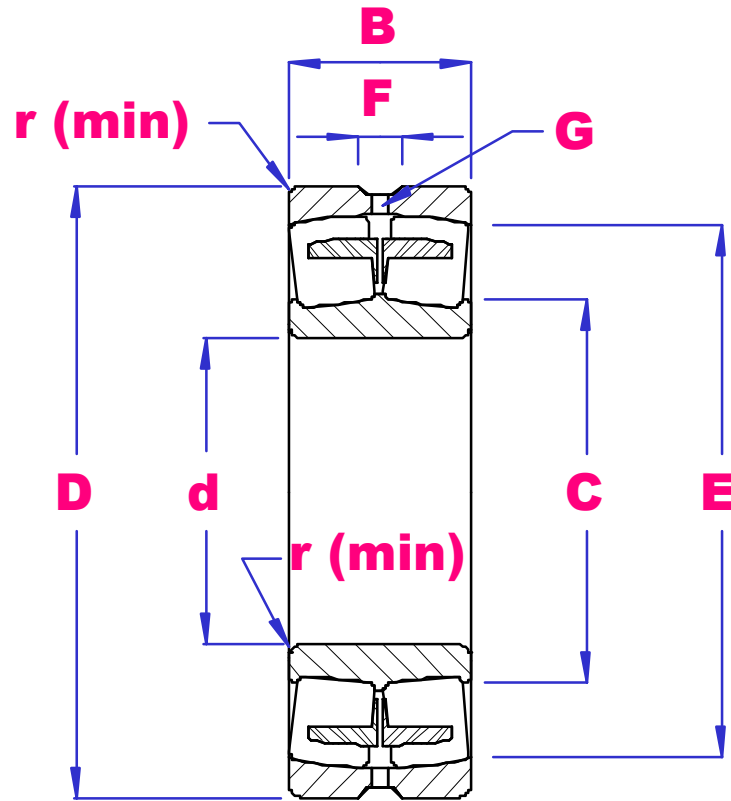
<b>24136</b>		300	118	3.0	212	252	11.1	6	1020	2030	630	800	33.0
<b>22236</b>		320	86	4.0	224	278	16.7	6	895	1550	1300	1700	29.4
<b>23236</b>		320	112	4.0	222	271	13.9	7	1160	2130	900	1200	38.7
<b>22336</b>		380	126	4.0	242	316	22.3	8	1470	2400	900	1200	72.2
<b>23938</b>	<b>190</b>	260	52	2.0	200	250	9.4	4	432	825	1600	2000	8.55
<b>23038</b>		290	75	2.1	224	259	13.9	5	700	1450	1300	1700	17.2
<b>24038</b>		290	100	2.1	219	252	13.9	7	855	1840	950	1300	22.9
<b>23138</b>		320	104	3.0	232	276	11.1	6	975	1840	1000	1400	34.3
<b>24138</b>		320	128	3.0	226	267	11.1	6	1200	2400	600	750	41.9
<b>22238</b>		340	92	4.0	235	293	16.7	6	865	1620	1200	1600	37.4
<b>23238</b>		340	120	4.0	237	288	16.7	7	1290	2400	850	1100	44.8
<b>22338</b>		400	132	5.0	257	334	22.3	8	1640	2630	850	1100	82.2
<b>23940</b>		<b>200</b>	280	60	2.1	226	254	9.5	4	495	1150	1600	2000
<b>23040</b>	310		82	2.1	237	276	13.9	7.5	770	1560	1200	1600	22.6
<b>24040</b>	310		109	2.1	233	268	11.1	5	985	2130	900	1200	31.3
<b>23140</b>	340		112	3.0	243	292	16.7	7	1170	2240	950	1300	43.8
<b>24140</b>	340		140	3.0	242	283	11.1	6	1380	2800	560	700	52.1
<b>22240</b>	360		98	4.0	250	309	16.7	6	1100	1950	1100	1500	44.7
<b>23240</b>	360		128	4.0	249	304	16.7	8	1360	2530	850	1100	53.4
<b>22340</b>	420		138	5.0	269	350	22.3	8	1740	2860	850	1100	97.0
<b>23340</b>	420		165	5.0	266	340	22.3	8	2020	3500	750	950	122
<b>23944</b>	<b>220</b>	300	60	2.1	232	288	9.5	4	515	1190	1500	1900	12.8
<b>23044</b>		340	90	3.0	260	303	13.9	6	935	1900	1100	1500	32.0
<b>24044</b>		340	118	3.0	257	295	11.1	5	1150	2500	850	1100	39.1
<b>23144</b>		370	120	4.0	268	320	16.7	7	1370	2710	900	1200	54.7
<b>24144</b>		370	150	4.0	262	318	11.1	5	1570	2750	500	600	66.3
<b>22244</b>		400	108	4.0	275	344	16.7	8	1350	2400	950	1300	63.5
<b>23244</b>		400	144	4.0	273	334	16.7	8	1720	3200	750	950	77.3
<b>22344</b>		460	145	5.0	295	365	22.3	8	2160	3950	750	950	129
<b>23948</b>		<b>240</b>	320	60	2.1	266	295	9.5	4	530	1310	1300	1700
<b>23048</b>	360		92	3.0	278	322	13.9	6	985	2080	1000	1400	34.2
<b>24048</b>	360		118	3.0	278	318	11.1	5	1240	2800	800	1000	46.5
<b>23148</b>	400		128	4.0	289	345	16.7	6	1500	3000	850	1100	68.2
<b>24148</b>	400		160	4.0	285	336	11.1	6	1660	3400	480	600	79.1
<b>22248</b>	440		120	4.0	303	379	18.0	7	1640	1820	900	1200	85.0
<b>23248</b>	440		160	4.0	292	369	22.3	8	2080	3950	670	850	102
<b>22348</b>	500		155	5.0	322	425	22.3	8	2550	4750	670	850	156



# UBC



## SPHERICAL ROLLER BEARINGS PARALLEL BORE



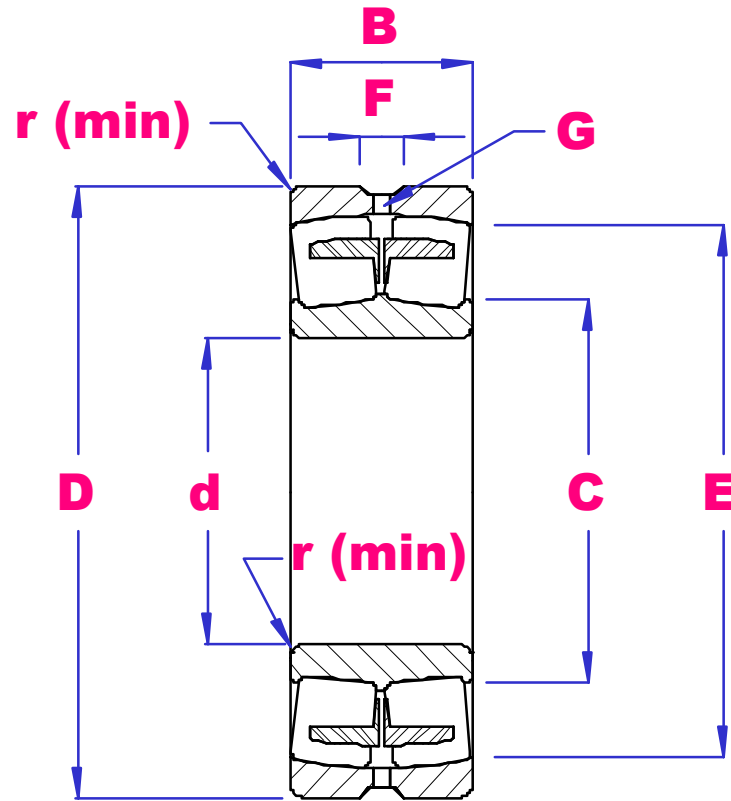
PART NO	d	D	B	r min	C	E	F	G	LOAD RATING		SPEED RATING		WGT kg
									DkN	SkN	GREASE	OIL	
23952	260	360	75	2.1	294	328	12	6.0	902	1750	1100	1500	21.6
23052		400	104	4.0	306	357	16.7	7.0	1350	2550	900	1200	49.8
24052		400	140	4.0	300	347	11.1	6.0	1710	3500	700	900	64.9
23152		440	144	4.0	310	379	16.7	9.0	2190	4050	800	1000	88.9
24152		440	180	4.0	312	366	13.9	8.0	2420	4350	430	530	115
22252		480	130	5.0	330	414	22.3	12.0	2280	3600	850	1100	106
23252		480	174	5.0	320	404	22.3	8.0	2800	4750	630	800	141
22352		540	165	6.0	349	455	22.3	8.0	3080	4750	630	800	185
23856	280	350	52	2.0	305	328	8.3	4.5	435	1230	1200	1500	11.5
23956		380	75	2.1	316	346	12.0	6.0	803	1850	1000	1400	25.7
23056		420	106	4.0	323	377	16.7	6.0	1450	2850	850	1100	56.8
24056		420	140	4.0	317	366	11.1	6.0	1780	3700	670	850	69.2
23156		460	156	5.0	333	400	16.7	8.0	2190	4150	800	1000	104
24156		460	180	5.0	327	393	13.9	8.0	2530	4750	400	500	119

<b>22256</b>		500	130	5.0	347	435	22.3	8.0	2190	3600	850	1100	118
<b>23256</b>		500	176	5.0	340	424	22.3	8.0	2840	5100	600	750	147
<b>22356</b>		580	175	6.0	364	485	22.3	8.0	3520	5700	600	750	229
<b>23860</b>	<b>300</b>	380	60	3.0	328	357	12.0	6.0	640	1650	950	1400	18.2
<b>23960</b>		420	90	3.0	339	382	15.0	6.0	1160	2500	950	1300	40.1
<b>23060</b>		460	118	4.0	351	409	16.7	9.0	1770	3450	800	1000	75.8
<b>24060</b>		460	160	4.0	342	399	13.9	9.0	2220	4700	600	700	99
<b>23160</b>		500	160	5.0	356	433	16.7	9.0	2680	4750	670	850	126
<b>24160</b>		500	200	5.0	356	420	13.9	6.0	3100	6000	380	450	161
<b>22260</b>		540	140	5.0	374	467	22.3	8.0	2620	4300	800	1000	138
<b>23260</b>		540	192	5.0	373	455	22.3	10.0	3300	5600	530	670	192
<b>23864</b>		<b>320</b>	400	60	3.0	346	376	13.9	6.0	670	1620	920	1280
<b>23964</b>	440		90	3.0	360	402	15.0	6.0	1200	2650	900	1200	42.7
<b>23064</b>	480		121	4.0	368	431	16.7	8.0	1930	4200	800	1000	84.8
<b>24064</b>	480		160	4.0	368	421	22.3	8.0	2480	5100	560	700	106
<b>23164</b>	540		176	5.0	389	465	22.3	8.0	3150	5700	630	800	198
<b>24164</b>	540		210	5.0	364	455	16.7	9.0	3560	6500	340	430	206
<b>22264</b>	580		150	5.0	400	502	22.3	8.0	2770	4350	700	900	175
<b>23264</b>	580		208	5.0	400	490	24.0	10.0	3900	6800	500	630	253
<b>23968</b>	<b>340</b>	460	90	3.0	378	423	15.0	6.0	1200	2700	900	1200	46.2
<b>23068</b>		520	133	5.0	400	464	22.3	8.0	2180	4400	700	900	115
<b>24068</b>		520	180	5.0	394	451	16.7	8.0	2710	5700	530	670	137
<b>23168</b>		580	190	5.0	412	497	22.3	8.0	3500	6300	600	750	211
<b>24168</b>		580	243	5.0	408	486	22.3	10.0	4400	7950	320	400	206
<b>23268</b>		620	224	6.0	426	528	22.3	12.0	4400	7700	430	530	297
<b>23972</b>	<b>360</b>	480	90	3.0	403	441	11.1	6.0	1290	2820	850	1100	46.6
<b>23072</b>		540	134	5.0	419	486	2.3	8.0	2280	4800	670	850	126
<b>24072</b>		540	180	5.0	398	474	16.7	8.0	2820	6100	600	750	150
<b>23172</b>		600	192	5.0	434	518	22.3	12.0	3580	6850	560	700	254
<b>24172</b>		600	243	5.0	430	511	20.0	12.0	5600	8400	300	380	270
<b>23272</b>		650	232	6.0	443	547	22.3	10.0	4650	8300	400	500	335
<b>23976</b>	<b>380</b>	520	106	4.0	426	476	15.0	10.0	1730	3800	800	1000	69.5
<b>23076</b>		560	135	5.0	441	505	22.3	8.0	2480	5000	630	800	130
<b>24076</b>		560	180	5.0	435	494	22.3	8.0	3150	6900	480	600	153
<b>23176</b>		620	194	5.0	457	540	22.3	8.0	3740	7350	400	500	250
<b>24176</b>		620	243	5.0	457	540	22.3	8.0	4400	9200	300	380	296
<b>23276</b>		680	240	6.0	468	574	22.3	10.0	4800	9200	380	480	386

# UBC



**SPHERICAL ROLLER  
BEARINGS  
PARALLEL BORE**



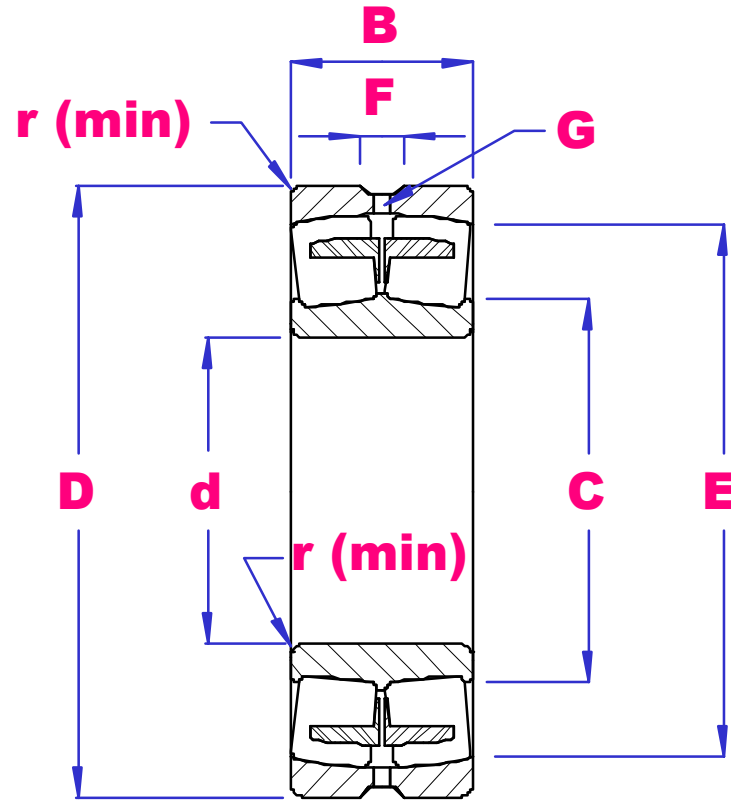
PART NO	d	D	B	r min	C	E	F	G	LOAD RATING		SPEED RATING(rpm)		WGT kg
									DkN	SkN	GREASE	OIL	
23980	400	540	106	4.0	445	497	15	10	1750	3950	750	950	72.4
23080		600	148	5.0	460	538	22	12	2790	5900	600	750	161
24080		600	200	5.0	458	524	22	12	3600	7800	450	560	203
23180		650	200	6.0	480	568	22.3	8	4100	7650	380	480	275
24180		650	250	6.0	476	563	22.3	8	4800	9600	320	400	326
23280		720	256	6.0	499	606	22	10	6150	11300	340	430	353
22380		820	243	7.5	520	694	22.3	12	5400	9600	340	430	623
23884		420	520	75	2.1	454	490	15	8	950	2630	750	950
23984	560		106	4.0	464	517	16.7	9	1530	4050	700	900	73.6
23084	620		150	5.0	484	558	22	8	2970	6400	450	560	149
24084	620		200	5.0	479	548	22.3	12	3690	8450	380	480	201
23184	700		224	6.0	505	605	22.3	12	4680	9200	360	450	353
24184	700		280	6.0	497	599	22.3	12	5750	11100	300	380	436
23284	760		272	7.5	525	643	22	12	6170	11900	320	400	549

<b>23988</b>	<b>440</b>	600	118	4.0	492	553	16.7	8	2030	4850	450	560	101
<b>23088</b>		650	157	6.0	507	585	22.3	8	3060	6500	430	530	179
<b>24088</b>		650	212	6.0	502	569	22.3	12	4150	9100	360	450	251
<b>23188</b>		720	226	6.0	522	626	22.3	12	4950	10000	340	430	377
<b>24188</b>		720	280	6.0	517	618	22.3	12	7300	13400	300	380	469
<b>23288</b>		790	280	7.5	548	675	22.3	12	7600	12300	320	400	612
<b>24892</b>		<b>460</b>	580	118	3.0	504	540	15	6	1730	4850	450	560
<b>23992</b>	620		118	4.0	511	572	16.7	9	2120	5000	430	530	105
<b>23092</b>	680		163	6.0	531	613	23.5	12	3280	6950	400	500	226
<b>24092</b>	680		218	6.0	528	600	24	12	4200	9100	340	430	304
<b>23192</b>	760		240	7.5	557	660	22	8	5500	10000	320	400	443
<b>24192</b>	760		300	7.5	540	639	22.3	8	6890	14400	160	200	460
<b>23292</b>	830		296	7.5	566	698	22.3	10	7350	13500	300	380	698
<b>23896</b>	<b>480</b>	600	90	3.0	523	563	15	6	1420	4000	450	600	60.4
<b>23996</b>		650	128	5.0	532	596	16.7	10	2370	5750	400	500	126
<b>23096</b>		700	165	6.0	552	634	22.3	12	3300	6900	400	500	217
<b>24096</b>		700	218	6.0	542	618	22.3	12	5250	10200	340	430	296
<b>23196</b>		790	248	7.5	578	687	22	12	6100	12100	300	380	516
<b>24196</b>		790	308	7.5	568	673	22.3	8	8000	14900	240	320	584
<b>23296</b>		870	310	7.5	581	732	22.3	12	7750	15200	260	340	853
<b>238/500</b>	<b>500</b>	620	90	3.0	542	586	16.7	8	1450	3800	420	520	66
<b>239/500</b>		670	128	5.0	555	619	22.3	12	2530	6000	400	500	120
<b>230/500</b>		720	167	6.0	568	653	22.3	8	3470	7650	380	480	228
<b>240/500</b>		720	218	6.0	565	645	22.3	12	5400	10600	420	520	306
<b>231/500</b>		830	264	7.5	603	726	22.3	12	6100	13800	320	400	588
<b>241/500</b>		830	325	7.5	588	712	22.3	12	9600	16000	300	380	736
<b>232/500</b>		920	336	7.5	620	774	22.3	12	9460	18600	280	360	985
<b>238/530</b>	<b>530</b>	650	90	3.0	575	613	22.4	12	1500	4200	400	500	64.2
<b>248/530</b>		650	118	3.0	573	612	22	8	1820	5280	380	480	91
<b>239/530</b>		710	316	5.0	586	658	22.3	12	2900	6700	360	450	154
<b>230/530</b>		780	185	6.0	614	703	24	12	4290	9650	340	430	339
<b>240/530</b>		780	250	6.0	605	691	22.3	12	5400	12700	280	360	416
<b>231/530</b>		870	272	7.5	635	762	22.3	12	8100	13200	260	340	665
<b>241/530</b>		870	335	7.5	622	748	22.3	12	10300	18700	190	280	846
<b>232/530</b>	980	335	9.5	656	818	22.3	12	10300	20300	210	290	1220	

# UBC



**SPHERICAL ROLLER  
BEARINGS  
PARALLEL BORE**



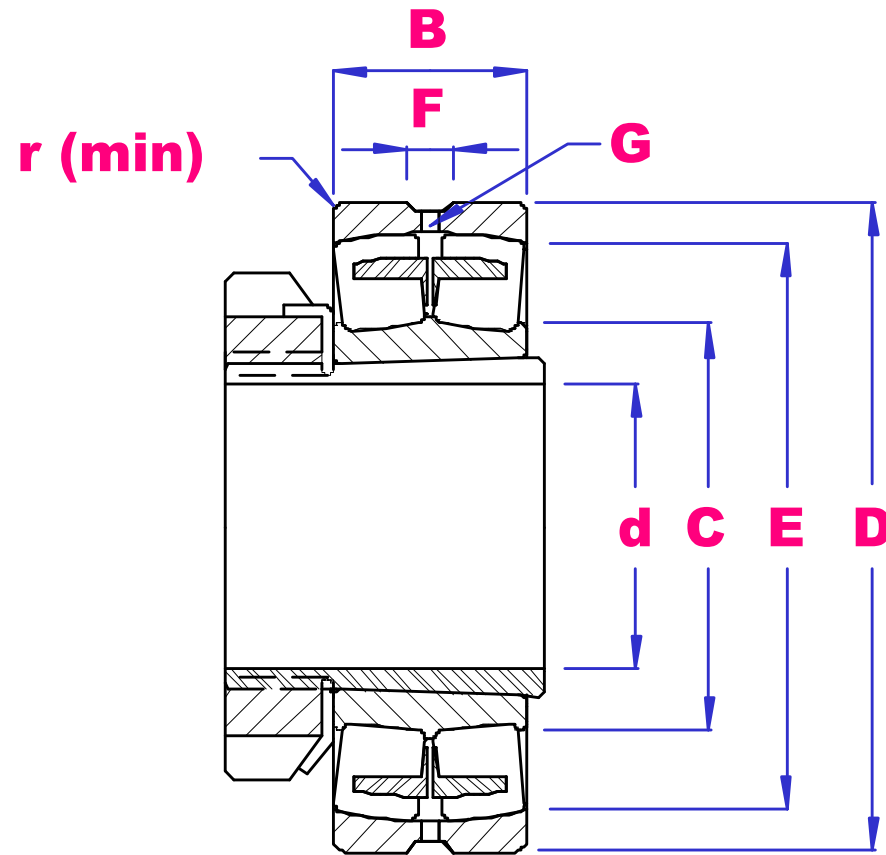
PART NO	d	D	B	r min	C	E	F	G	LOAD RATING		SPEED RATING(rpm)		WGT kg
									DkN	SkN	GREASE	OIL	
239/560	560	750	140	5.0	621	693	22.3	12	3050	7200	340	430	177
230/560		820	195	6.0	644	741	22.3	9	4950	10500	320	410	363
240/560		820	258	6.0	640	721	22.3	12	5700	13200	220	300	471
231/560		920	280	7.5	677	803	22.3	12	7590	15700	240	320	756
241/560		920	355	7.5	634	796	22.3	12	10000	20100	120	160	958
232/560		1030	365	9.5	705	877	22.3	12	11200	21000	190	260	1380
239/600		600	800	150	5.0	668	742	22.3	12	3260	8400	320	400
249/600	800		200	5.0	666	728	22.3	12	4070	11200	320	400	287
230/600	870		200	6.0	685	787	22.3	9	5170	11600	300	380	442
240/600	870		272	6.0	680	770	22.3	12	8100	16500	220	300	560
231/600	980		300	7.5	717	855	22.3	12	8900	18800	180	250	894
241/600	980		375	7.5	709	827	22.3	8	10000	21600	110	150	1140
232/600	1090		388	9.5	750	920	22.3	12	12500	25000	190	260	1568

<b>238/630</b>	<b>630</b>	780	112	4.0	682	738	16.7	9	2200	6300	300	380	124
<b>239/630</b>		850	165	6.0	705	786	22.3	12	3550	9750	280	360	280
<b>230/630</b>		920	212	7.5	721	831	22.3	9	5670	12800	260	340	471
<b>240/630</b>		920	290	7.5	722	815	22.3	10	7350	17100	220	300	661
<b>231/630</b>		1030	315	7.5	756	918	22.3	12	10000	21000	180	250	1080
<b>241/630</b>		1030	400	7.5	736	885	22.3	12	12500	27200	160	210	1440
<b>238/670</b>	<b>670</b>	820	112	4.0	722	778	16.7	9	2210	6300	270	350	136
<b>248/670</b>		820	150	4.0	716	771	16.7	9	3100	9600	270	350	178
<b>239/670</b>		900	170	6.0	743	831	22.3	12	4400	10600	260	340	313
<b>230/670</b>		980	230	7.5	760	885	22.3	12	6900	15000	240	310	601
<b>240/670</b>		980	308	7.5	760	866	22.3	12	9500	20000	190	270	807
<b>231/670</b>		1090	336	7.5	801	958	22.3	12	11000	22500	175	240	1280
<b>241/670</b>		1090	412	7.5	786	934	22.3	12	14000	31500	150	190	1560
<b>232/670</b>		1220	438	12.0	832	1027	22.3	12	15000	32000	160	210	2300
<b>238/710</b>	<b>710</b>	870	118	4.0	761	824	22.3	12	2680	7550	260	340	156
<b>239/710</b>		950	180	6.0	787	882	22.3	12	5000	12000	240	310	365
<b>249/710</b>		950	243	6.0	791	864	22.3	12	6200	17000	200	280	500
<b>230/710</b>		1030	236	7.5	814	939	22.3	12	6300	16200	220	300	669
<b>240/710</b>		1030	315	7.5	806	918	22.3	12	9300	22500	180	250	910
<b>231/710</b>		1150	345	9.8	851	1016	22.3	12	12000	25800	170	220	1480
<b>241/710</b>		1150	438	9.5	838	982	22.3	12	13200	31000	110	140	1791
<b>232/710</b>		1280	450	12.0	876	1096	22.3	12	17500	34400	160	210	2640
<b>238/750</b>	<b>750</b>	920	128	5.0	806	873	22.3	12	2950	8600	240	310	188
<b>248/750</b>		920	170	5.0	808	864	22.3	12	3550	10900	220	300	249
<b>239/750</b>		1000	185	6.0	831	930	22.3	12	5800	13500	210	290	426
<b>249/750</b>		1000	250	6.0	830	916	22.3	12	7600	18200	180	250	566
<b>230/750</b>		1090	250	7.5	847	987	22.3	12	7000	17900	200	280	789
<b>240/750</b>		1090	335	7.5	852	970	22.3	12	10000	24800	170	220	1100
<b>231/750</b>		1220	365	9.5	898	1080	22.3	12	13500	28800	160	210	1760
<b>241/750</b>		1220	475	9.5	872	1039	22.3	12	16000	37000	130	170	2195
<b>232/750</b>		1360	475	15.0	930	1145	22.3	12	16390	36000	90	120	3100
<b>248/800</b>		<b>800</b>	980	180	5.0	860	920	22.3	12	4150	13000	170	220
<b>239/800</b>	1060		195	6.0	883	985	22.3	12	6350	14200	190	270	480
<b>249/800</b>	1060		258	6.0	880	971	22.3	12	7800	19500	175	240	648
<b>230/800</b>	1150		258	7.5	900	1029	22.3	12	8090	19100	170	220	894
<b>240/800</b>	1150		345	7.5	900	1029	22.3	12	10300	24600	170	220	1092
<b>231/800</b>	1280		375	9.5	948	1140	22.3	12	14500	31000	150	190	1960
<b>241/800</b>	1280		475	9.5	938	1102	22.3	12	16300	37100	130	170	2350

# UBC



## SPHERICAL ROLLER BEARINGS TAPERED BORE



PART NO	d	D	B	r min	C	E	F	G	SLEEVE	LOAD RATING		SPEED RATING(rpm)		WGT kg
										DkN	SkN	grease	oil	
22205K	20	52	18	1.0	31	46	4.8	2.0	H305	41	43	8000	10000	0.15
22206K	25	62	20	1.0	36	56	4.8	2.0	H306	55	59	6600	8600	0.25
21306K		72	19	1.1	37	65	-	-	H306	52	51	4500	6000	0.38
22207K	30	72	23	1.1	42	65	4.8	2.0	H307	63.5	82	6400	7800	0.38
21307K		80	21	1.5	44	71	-	-	H307	70	75	4000	5800	0.51
22208K	35	80	23	1.1	50.4	69	5.5	2.0	H308	68.5	74.5	6000	7500	0.53
21308K		90	23	1.5	56	74	-	-	H308	67.5	73.5	3800	6000	0.71
22308K		90	33	1.5	56	74	5.5	2.5	H2308	105	130	4500	5600	1.01
22209K	40	85	23	1.1	57.6	73	5.5	2.0	H309	80.5	95	5300	6700	0.63
21309K		100	25	1.5	63	81.4	5.5	2.0	H309	80.5	92	4500	5500	0.95
22309K		100	36	1.5	63	81.4	5.5	2.5	H2309	127	168	3800	4800	1.52

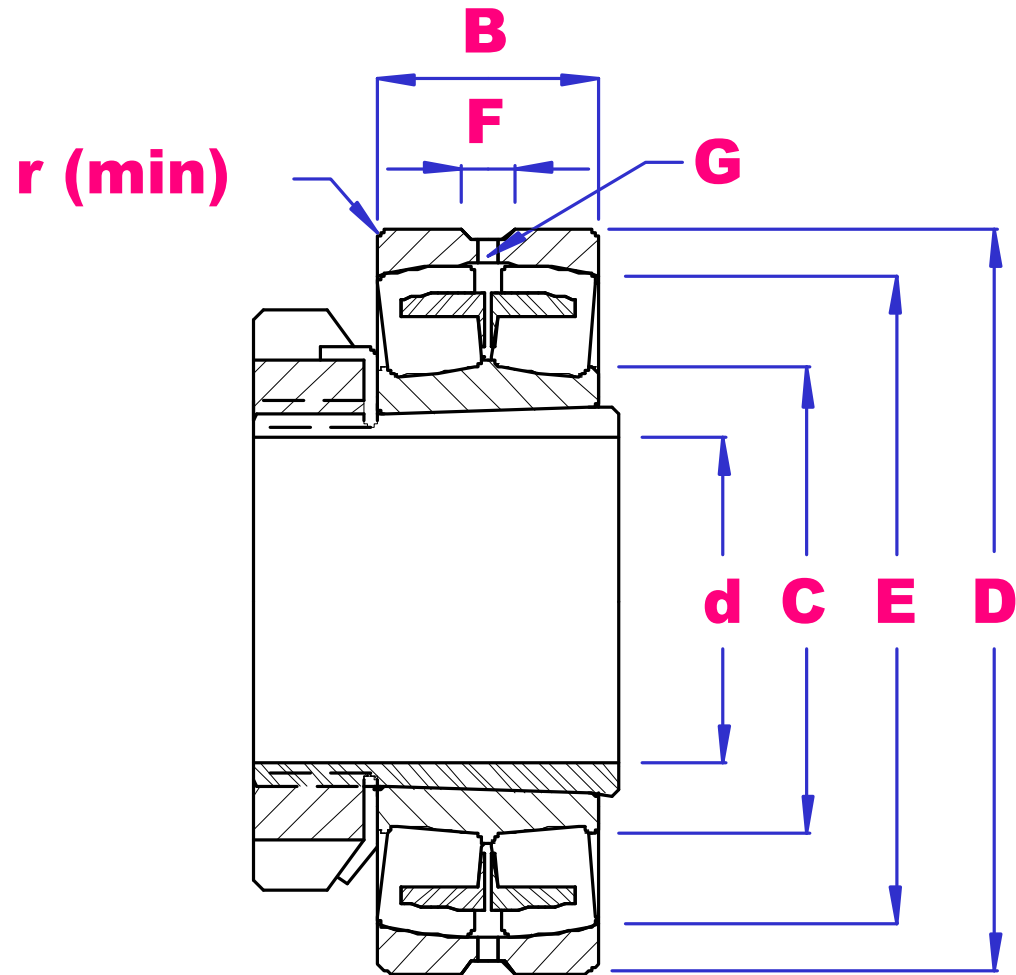
<b>22210K</b>	<b>45</b>	90	23	1.1	62.2	78.3	5.5	2.0	H310	81	95	5000	6300	0.63
<b>21310K</b>		110	27	2.0	69	90.6	5.5	2.0	H310	95	96	4200	4800	1.24
<b>22310K</b>		110	40	2.0	69	90.6	5.5	2.5	H2310	157	208	3400	4300	2.17
<b>22211K</b>	<b>50</b>	100	25	1.5	68.8	87.3	5.5	2.0	H311	90.5	119	4500	5600	0.88
<b>21311K</b>		120	29	2.0	75	99.5	5.5	2.0	H311	120	132	3800	4300	1.62
<b>22311K</b>		120	43	2.0	75	99.5	5.5	2.5	H2311	175	230	3200	4000	2.62
<b>22212K</b>	<b>55</b>	110	28	1.5	75.2	95	5.5	2.0	H312	110	154	4000	5000	1.02
<b>21312K</b>		130	31	2.1	81.4	108	5.5	2.0	H312	163	152	3400	4000	1.98
<b>22312K</b>		130	46	2.1	81.4	108	5.5	2.5	H2312	212	284	3000	3800	3.33
<b>22213K</b>	<b>60</b>	120	31	1.5	81.5	103	5.5	2.5	H313	135	193	3800	4800	1.56
<b>21313K</b>		140	33	2.1	88.6	119	5.5	2.5	H313	157	200	2800	3600	2.58
<b>22313K</b>		140	48	2.1	88.6	116	5.5	3.0	H2313	238	325	2600	3400	4.91
<b>22215K</b>	<b>65</b>	130	31	1.5	92	114	5.5	2.5	H315	139	208	3400	4300	1.71
<b>21315K</b>		160	37	2.1	101	133	5.5	2.5	H315	236	280	2400	3200	3.62
<b>22315K</b>		160	55	2.1	101	133	8.3	4.0	H2315	325	420	2200	3000	5.44
<b>22216K</b>	<b>70</b>	140	33	2.0	98.9	98.9	5.5	2.5	H316	150	225	3200	4000	2.11
<b>21316K</b>		170	39	2.1	109	109	5.5	2.5	H316	255	315	2200	3000	4.32
<b>22316K</b>		170	58	2.1	109	109	8.3	4.0	H2316	345	495	2000	2800	7.4
<b>22217K</b>	<b>75</b>	150	36	2.0	105	132	6.5	3.0	H317	175	254	3000	3800	2.71
<b>21317K</b>		180	41	3.0	115	150	6.5	3.0	H317	290	360	2100	2400	5.22
<b>22317K</b>		180	60	3.0	115	150	8.3	4.0	H2317	375	540	1900	2600	8.11
<b>22218K</b>	<b>80</b>	160	40	2.0	111	139	8.3	2.5	H318	188	258	2600	3400	3.45
<b>23218K</b>		160	52.4	2.0	112	136	5.5	2.5	H2318	338	475	1900	2600	4.75
<b>21318K</b>		190	43	3.0	123	159	5.5	2.5	H318	315	400	1900	2600	6.22
<b>22318K</b>		190	64	3.0	123	159	8.3	5.0	H2318	420	625	1800	2400	11.3
<b>22219K</b>	<b>85</b>	170	43	2.1	119	148	8.3	3.0	H319	245	375	2400	3200	4.57
<b>21319K</b>		200	45	3.0	128	167	8.3	3.0	H319	330	420	1900	2600	7.45
<b>22319K</b>		200	67	3.0	128	167	8.3	5.0	H2319	465	685	1800	2400	10.5
<b>23020K</b>	<b>90</b>	150	37	1.5	116	135	5.5	3.0	H3020	215	400	2400	3200	2.55
<b>23120K</b>		165	52	2.0	121	143	5.5	3.0	H3120	287	510	2000	2800	4.42
<b>22220K</b>		180	46	2.1	124	156	8.3	3.0	H320	277	525	2200	3000	5.11
<b>23220K</b>		180	60.3	2.1	125	153	8.3	4.0	H3220	400	570	1700	2200	6.35
<b>21320K</b>		215	47	3.0	138	179	8.3	5.0	H320	360	495	1700	2200	9.15
<b>22320K</b>		215	73	3.0	138	179	8.3	5.0	H2320	540	815	1700	2200	13.6



# UBC



**SPHERICAL ROLLER  
BEARINGS  
TAPERED BORE**



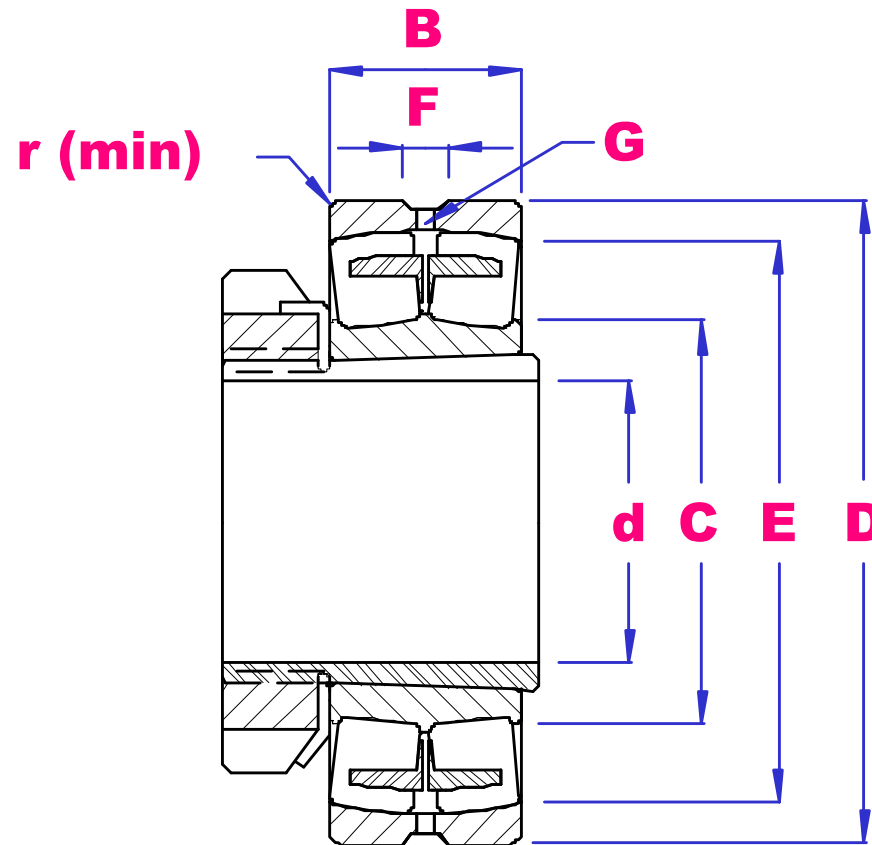
PART NO	d	D	B	r min	E	F	G	SLEEVE	LOAD RATING		SPEED RATING(rpm)		WGT kg
									DkN	SkN	grease	oil	
23022K	100	170	45	2.0	150	7.5	3.0	H3022	253	460	2200	3000	3.54
23122K		180	56	2.0	156	7.5	3.0	H3122	325	580	1900	2600	5.73
24122K30		180	69	2.0	153	7.5	3.0	-	425	750	1000	1400	6.92
22222K		200	53	2.1	173	8.3	4.0	H322	385	625	2000	2800	7.24
23222K		200	69.8	2.1	168	12	5.0	H2322	490	720	1600	2000	9.83
22322K		240	80	3.0	197	13.9	6.0	H2322	630	955	1600	2000	18.7

<b>23024K</b>	<b>110</b>	180	46	2.0	162	5.5	3.0	H3024	263	495	2000	2800	4.32
<b>24024K30</b>		180	60	2.0	158	5.5	3.0	-	325	660	1600	2000	5.83
<b>23124K</b>		200	62	2.0	174	5.5	3.0	H3124	405	715	1800	2400	8.22
<b>24124K30</b>		200	80	2.0	167	5.5	3.0	-	495	925	900	1200	10.6
<b>22224K</b>		215	58	2.1	187	11.1	4.0	H3124	425	680	1900	2600	9.76
<b>23224K</b>		215	76	2.1	182	8.3	5.0	H2324	535	940	1500	1900	12.1
<b>22324K</b>		260	86	3.0	215	13.9	6.0	H2324	720	1100	1400	1800	23.3
<b>23026K</b>	<b>115</b>	200	52	2.0	179	9.5	4.0	H3026	340	350	1900	2600	7.05
<b>24026K30</b>		200	69	2.0	185	9.5	4.0	-	405	715	1400	1800	8.22
<b>23126K</b>		210	64	2.0	183	8.3	4.0	H3126	430	790	1700	2200	10.7
<b>24126K30</b>		210	80	3.0	200	8.3	4.0	-	530	920	850	1100	11.1
<b>22226K</b>		230	64	3.0	200	10	5.0	H3126	490	805	1800	2400	12.4
<b>23226K</b>		230	80	3.0	194	12	5.0	H3226	670	1020	1300	1700	15.8
<b>22326K</b>		280	93	4.0	232	16.7	6.0	H2326	840	1300	1300	1700	18.1
<b>23028K</b>	<b>125</b>	210	53	2.0	188	8.3	4.5	H3028	365	705	1800	2400	6.68
<b>24028K30</b>		210	69	2.0	186	8.3	5.0	-	435	790	1300	1600	8.95
<b>23128K</b>		225	68	2.1	196	8.3	4.5	H3128	490	935	1600	2000	10.9
<b>24128K30</b>		225	85	2.1	192	8.3	4.5	-	580	1180	850	1100	13.5
<b>22228K</b>		250	68	3.0	218	11.1	5.0	H3128	560	930	1700	2200	16.2
<b>23228K</b>		250	88	3.0	215	15	6.0	H2328	910	1365	1200	1600	19.7
<b>22328K</b>		300	102	4.0	249	16.7	7.0	H2328	1210	1950	1100	1500	36.2
<b>23030K</b>	<b>135</b>	225	56	2.1	201	8.3	4.5	H3030	400	795	1700	2200	8.01
<b>24030K30</b>		225	75	2.1	196	5.5	3.0	-	500	1050	1300	1700	9.39
<b>23130K</b>		250	80	2.1	212	11.1	5.0	H3130	745	685	1400	1800	16.5
<b>24130K30</b>		250	100	2.1	218	8.3	4.5	-	855	1435	800	1000	20.1
<b>22230K</b>		270	73	3.0	234	12	6.0	H3130	630	1050	1600	2000	18.7
<b>23230K</b>		270	96	3.0	228	11.1	6.0	H2330	950	1550	1100	1500	26.6
<b>22330K</b>		320	108	4.0	265	16.7	9.0	H2330	1120	1810	1000	1400	41.5
<b>23032K</b>	<b>140</b>	240	60	2.1	216	8.3	5.0	OH3032	445	875	1700	2200	10.0
<b>24032K30</b>		240	80	2.1	209	8.3	5.0	-	570	1210	1100	1500	13.2
<b>23132K</b>		270	86	2.1	234	13.9	6.0	OH3132	765	1430	1300	1700	21.9
<b>24132K30</b>		270	109	2.1	225	8.3	4.0	-	865	1690	700	900	24.6
<b>22232K</b>		290	80	3.0	249	13.9	7.0	OH3132	750	1300	1500	1900	24.3
<b>23232K</b>		290	104	3.0	244	13.9	7.0	H2332	955	1770	1000	1400	29.2
<b>22332K</b>		340	114	4.0	284	16.7	7.0	H2332	1270	2050	950	1300	52.5

# UBC



**SPHERICAL ROLLER  
BEARINGS  
TAPERED BORE**



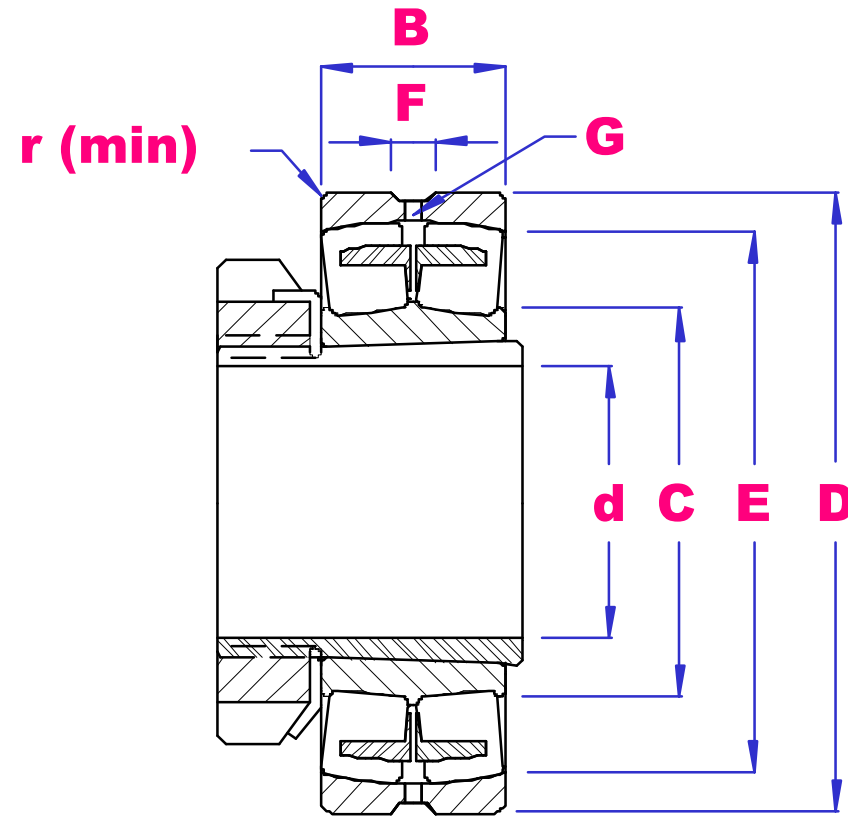
PART NO	d	D	B	r min	E	F	G	SLEEVE	LOAD RATING		SPEED RATING (rpm)		WGT kg
									DkN	SkN	grease	oil	
23934K	150	230	45	2.0	220	9.5	4	H3934	320	660	1800	2200	5.5
23034K		260	67	2.1	231	11.1	5	H3034	555	1090	1600	2000	14.2
24034K30		260	90	2.1	227	8.3	4	-	705	1500	1000	1400	17.8
23134K		280	88	2.1	243	11.1	5	OH3134	730	1390	1200	1600	24.6
24134K30		280	109	2.1	237	8.3	4	-	915	1830	670	850	24.8
22234K		310	86	4.0	268	16.7	6	OH3134	845	1450	1300	1700	26.8
23234K		310	110	4.0	261	13.9	7	H2334	1070	1930	950	1300	38.0
22334K		360	120	4.0	299	16.7	7	H2334	1320	2120	950	1300	62.6
23936K	160	250	52	2.0	230	9.5	4	H3936	430	830	1700	2200	7.35
23036K		280	74	2.1	247	13.9	7.5	OH3036	630	1280	1400	1800	17.7
24036K30		280	100	2.1	242	8.3	4	-	835	1750	950	1300	26.6
23136K		300	96	3.0	259	11.1	6	OH3136	900	1720	1100	1500	27.1

<b>24136K30</b>		300	118	3.0	252	11.1	6	-	1020	2030	630	800	33.0
<b>22236K</b>		320	86	4.0	278	16.7	6	OH3136	895	1550	1300	1700	29.4
<b>23236K</b>		320	112	4.0	271	13.9	7	H2336	1160	2130	900	1200	38.7
<b>22336K</b>		380	126	4.0	316	22.3	8	H2336	1470	2400	900	1200	72.2
<b>23938K</b>	<b>170</b>	260	52	2.0	250	9.4	4	H3938	432	825	1600	2000	8.55
<b>23038K</b>		290	75	2.1	259	13.9	5	OH3038	700	1450	1300	1700	17.2
<b>24038K30</b>		290	100	2.1	252	13.9	7	-	855	1840	950	1300	22.9
<b>23138K</b>		320	104	3.0	276	11.1	6	OH3138	975	1840	1000	1400	34.3
<b>24138K30</b>		320	128	3.0	267	11.1	6	-	1200	2400	600	750	41.9
<b>22238K</b>		340	92	4.0	293	16.7	6	OH3138	865	1620	1200	1600	37.4
<b>23238K</b>		340	120	4.0	288	16.7	7	H2338	1290	2400	850	1100	44.8
<b>22338K</b>		400	132	5.0	334	22.3	8	H2338	1640	2630	850	1100	82.2
<b>23940K</b>	<b>180</b>	280	60	2.1	254	9.5	4	H3940	495	1150	1600	2000	12.1
<b>23040K</b>		310	82	2.1	276	13.9	7.5	OH3040	770	1560	1200	1600	22.6
<b>24040K30</b>		310	109	2.1	268	11.1	5	-	985	2130	900	1200	31.3
<b>23140K</b>		340	112	3.0	292	16.7	7	OH3140	1170	2240	950	1300	43.8
<b>24140K30</b>		340	140	3.0	283	11.1	6	-	1380	2800	560	700	52.1
<b>22240K</b>		360	98	4.0	309	16.7	6	OH3140	1100	1950	1100	1500	44.7
<b>23240K</b>		360	128	4.0	304	16.7	8	H2340	1360	2530	850	1100	53.4
<b>22340K</b>		420	138	5.0	350	22.3	8	H2340	1740	2860	850	1100	97.0
<b>23340K</b>	420	165	5.0	340	22.3	8	-	2020	3500	750	950	122	
<b>23944K</b>	<b>200</b>	300	60	2.1	288	9.5	4	H3944	515	1190	1500	1900	12.8
<b>23044K</b>		340	90	3.0	303	13.9	6	OH3044	935	1900	1100	1500	32.0
<b>24044K30</b>		340	118	3.0	295	11.1	5	-	1150	2500	850	1100	39.1
<b>23144K</b>		370	120	4.0	320	16.7	7	OH3144	1370	2710	900	1200	54.7
<b>24144K30</b>		370	150	4.0	318	11.1	5	-	1570	2750	500	600	66.3
<b>22244K</b>		400	108	4.0	344	16.7	8	OH3144	1350	2400	950	1300	63.5
<b>23244K</b>		400	144	4.0	334	16.7	8	H2344	1720	3200	750	950	77.3
<b>22344K</b>		460	145	5.0	365	22.3	8	H2344	2160	3950	750	950	129
<b>23948K</b>	<b>220</b>	320	60	2.1	295	9.5	4	H3948	530	1310	1300	1700	15.0
<b>23048K</b>		360	92	3.0	322	13.9	6	OH3048	985	2080	1000	1400	34.2
<b>24048K30</b>		360	118	3.0	318	11.1	5	-	1240	2800	800	1000	46.5
<b>23148K</b>		400	128	4.0	345	16.7	6	OH3148	1500	3000	850	1100	68.2
<b>24148K30</b>		400	160	4.0	336	11.1	6	-	1660	3400	480	600	79.1
<b>22248K</b>		440	120	4.0	379	18.0	7	OH3148	1640	1820	900	1200	85.0
<b>23248K</b>		440	160	4.0	369	22.3	8	H2348	2080	3950	670	850	102
<b>22348K</b>		500	155	5.0	425	22.3	8	H2348	2550	4750	670	850	156

# UBC



## SPHERICAL ROLLER BEARINGS TAPERED BORE



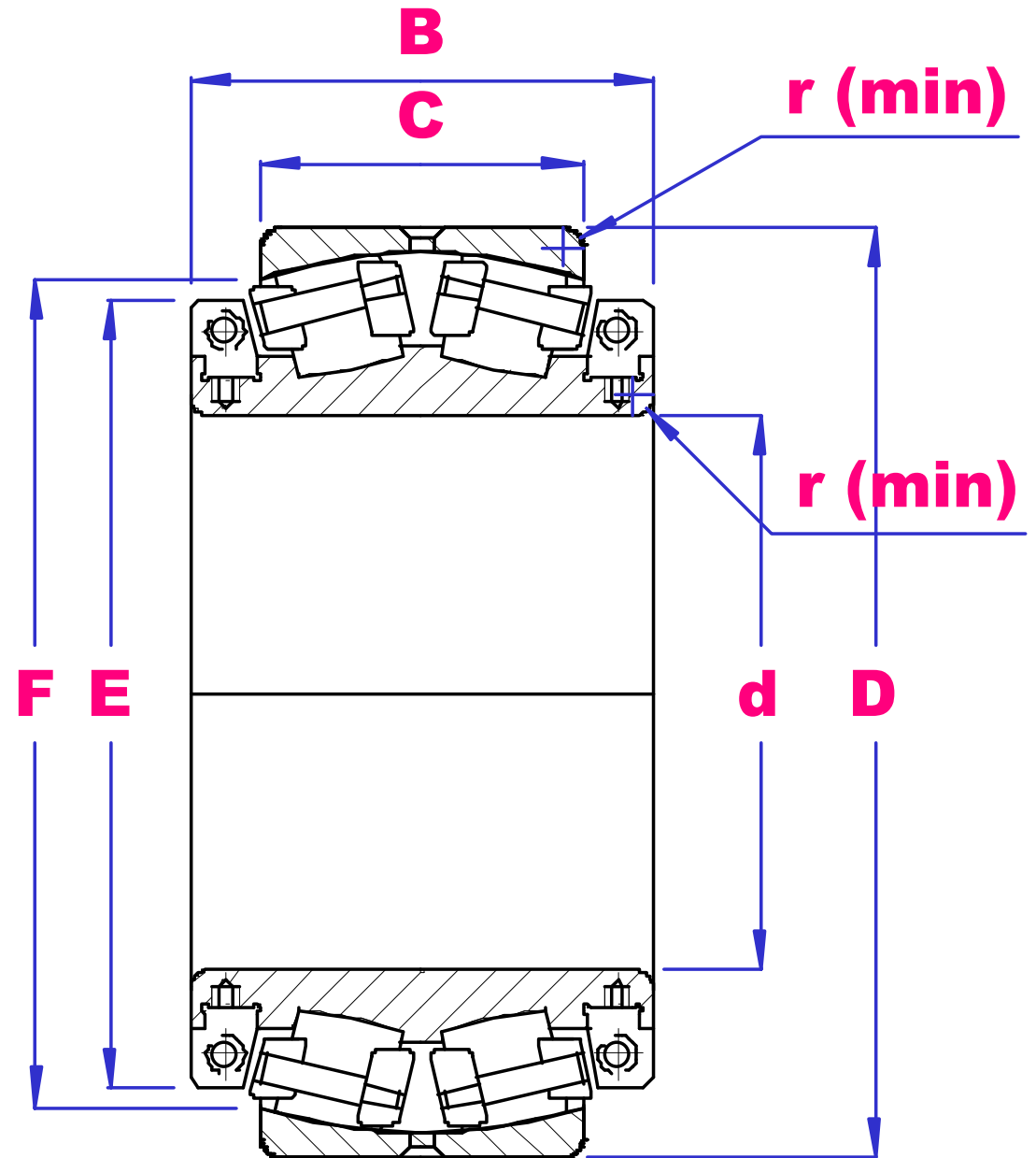
PART NO	d	D	B	r min	E	F	G	SLEEVE	LOAD RATING		SPEED RATING(rpm)		WGT kg
									DkN	SkN	grease	oil	
23952K	240	360	75	2.1	328	12	6.0	H3952	902	1750	1100	1500	21.6
23052K		400	104	4.0	357	16.7	7.0	OH3052	1350	2550	900	1200	49.8
24052K30		400	140	4.0	347	11.1	6.0	-	1710	3500	700	900	64.9
23152K		440	144	4.0	379	16.7	9.0	OH3152	2190	4050	800	1000	88.9
24152K30		440	180	4.0	366	13.9	8.0	-	2420	4350	430	530	115
22252K		480	130	5.0	414	22.3	12.0	OH3152	2280	3600	850	1100	106
23252K		480	174	5.0	404	22.3	8.0	H2352	2800	4750	630	800	141
22352K		540	165	6.0	455	22.3	8.0	H2352	3080	4750	630	800	185
23856K	260	350	52	2.0	328	8.3	4.5	-	435	1230	1200	1500	11.5
23956K		380	75	2.1	346	12.0	6.0	H3956	803	1850	1000	1400	25.7
23056K		420	106	4.0	377	16.7	6.0	OH3056	1450	2850	850	1100	56.8
24056K30		420	140	4.0	366	11.1	6.0	-	1780	3700	670	850	69.2
23156K		460	156	5.0	400	16.7	8.0	OH3156	2190	4150	800	1000	104
24156K30		460	180	5.0	393	13.9	8.0	-	2530	4750	400	500	119

22256K		500	130	5.0	435	22.3	8.0	OH3156	2190	3600	850	1100	118
23256K		500	176	5.0	424	22.3	8.0	H2356	2840	5100	600	750	147
22356K		580	175	6.0	485	22.3	8.0	H2356	3520	5700	600	750	229
23860K	280	380	60	3.0	357	12.0	6.0	-	640	1650	950	1400	18.2
23960K		420	90	3.0	382	15.0	6.0	H3960	1160	2500	950	1300	40.1
23060K		460	118	4.0	409	16.7	9.0	OH3060	1770	3450	800	1000	75.8
24060K30		460	160	4.0	399	13.9	9.0	-	2220	4700	600	700	99
23160K		500	160	5.0	433	16.7	9.0	OH3160	2680	4750	670	850	126
24160K30		500	200	5.0	420	13.9	6.0	-	3100	6000	380	450	161
22260K		540	140	5.0	467	22.3	8.0	OH3160	2620	4300	800	1000	138
23260K		540	192	5.0	455	22.3	10.0	H2360	3300	5600	530	670	192
23864K	300	400	60	3.0	376	13.9	6.0	-	670	1620	920	1280	20.3
23964K		440	90	3.0	402	15.0	6.0	H3964	1200	2650	900	1200	42.7
23064K		480	121	4.0	431	16.7	8.0	OH3064	1930	4200	800	1000	84.8
24064K30		480	160	4.0	421	22.3	8.0	-	2480	5100	560	700	106
23164K		540	176	5.0	465	22.3	8.0	OH3164	3150	5700	630	800	198
24164K30		540	210	5.0	455	16.7	9.0	-	3560	6500	340	430	206
22264K		580	150	5.0	502	22.3	8.0	OH3164	2770	4350	700	900	175
23264K		580	208	5.0	490	24.0	10.0	H2364	3900	6800	500	630	253
23968K	320	460	90	3.0	423	15.0	6.0	H3968	1200	2700	900	1200	46.2
23068K		520	133	5.0	464	22.3	8.0	OH3068	2180	4400	700	900	115
24068K30		520	180	5.0	451	16.7	8.0	-	2710	5700	530	670	137
23168K		580	190	5.0	497	22.3	8.0	OH3168	3500	6300	600	750	211
24168K30		580	243	5.0	486	22.3	10.0	-	4400	7950	320	400	206
23268K		620	224	6.0	528	22.3	12.0	H2368	4400	7700	430	530	297
23972K	340	480	90	3.0	441	11.1	6.0	H3972	1290	2820	850	1100	46.6
23072K		540	134	5.0	486	2.3	8.0	OH3072	2280	4800	670	850	126
24072K30		540	180	5.0	474	16.7	8.0	-	2820	6100	600	750	150
23172K		600	192	5.0	518	22.3	12.0	OH3172	3580	6850	560	700	254
24172K30		600	243	5.0	511	20.0	12.0	-	5600	8400	300	380	270
23272K		650	232	6.0	547	22.3	10.0	H2372	4650	8300	400	500	335
23976K	360	520	106	4.0	476	15.0	10.0	H3976	1730	3800	800	1000	69.5
23076K		560	135	5.0	505	22.3	8.0	OH3076	2480	5000	630	800	130
24076K30		560	180	5.0	494	22.3	8.0	-	3150	6900	480	600	153
23176K		620	194	5.0	540	22.3	8.0	OH3176	3740	7350	400	500	250
24176K30		620	243	5.0	540	22.3	8.0	-	4400	9200	300	380	296
23276K		680	240	6.0	574	22.3	10.0	H2376	4800	9200	380	480	386

# UBC



## SPLIT SPHERICAL ROLLER BEARINGS



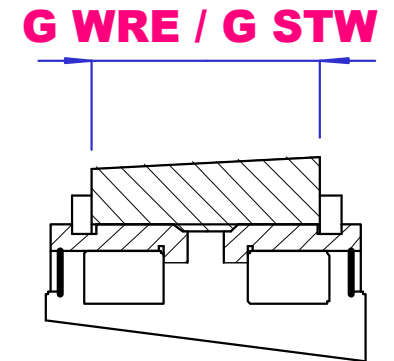
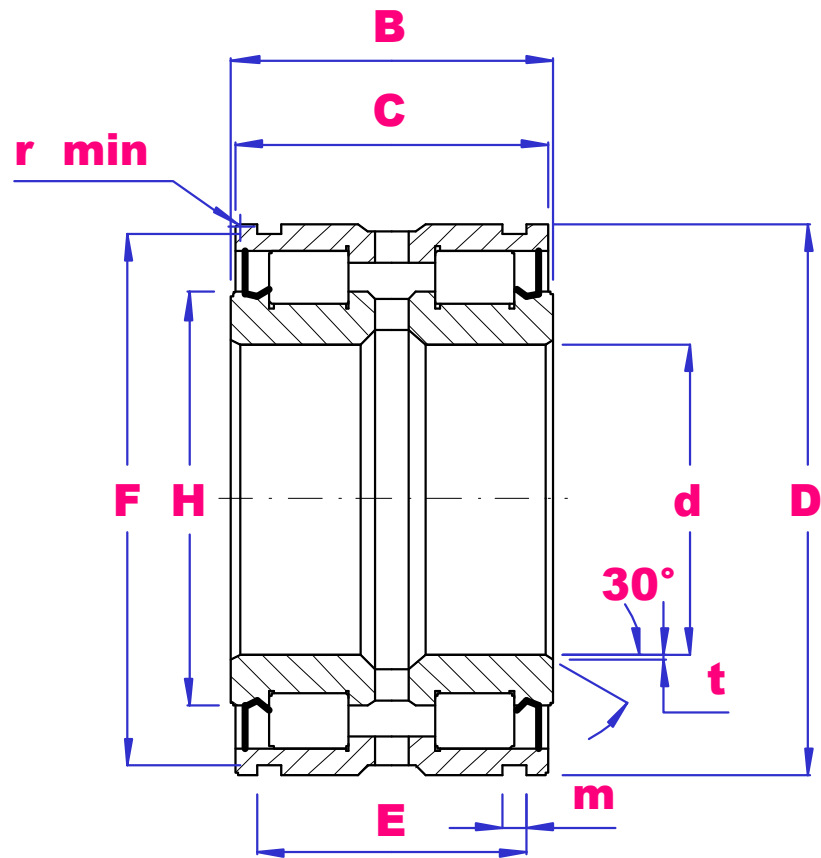
PART NO	d	D	B	r min	C	E	F	LOAD RATING		SPEED RATING (rpm)	WGT kg
								DkN	SkN		
<b>24124D</b>	120	200	142	2.0	80	165	168	540	870	800	18.5
<b>23028D</b>	140	230	102	2.0	53	181	190	350	580	700	15.2
<b>23136X2D</b>	180	300	125	2.1	74	221	247	680	1050	450	32.0
<b>23256D</b>	280	500	260	5.0	176	420	438	2650	4400	350	178
<b>23160D</b>	300	500	240	5.0	160	419	434	1660	4800	330	153
<b>23072D</b>	360	540	220	5.0	134	477	481	2150	4480	280	158
<b>23080D</b>	400	600	240	5.0	148	523	540	2750	5800	250	210
<b>23084D</b>	420	620	238	6.0	150	542	561	2750	5850	240	223
<b>23092X3D</b>	460	700	245	6.0	165	605	635	3150	6500	200	346
<b>230/530X3D</b>	530	780	265	6.0	185	666	704	3400	8100	180	389
<b>230/560X3D</b>	560	870	330	6.0	200	734	785	5020	10500	180	585
<b>241/600D</b>	600	980	515	7.5	375	812	833	10000	21500	150	1370



# UBC



## SL04-5000PP SHEAVE ROLLER BEARINGS



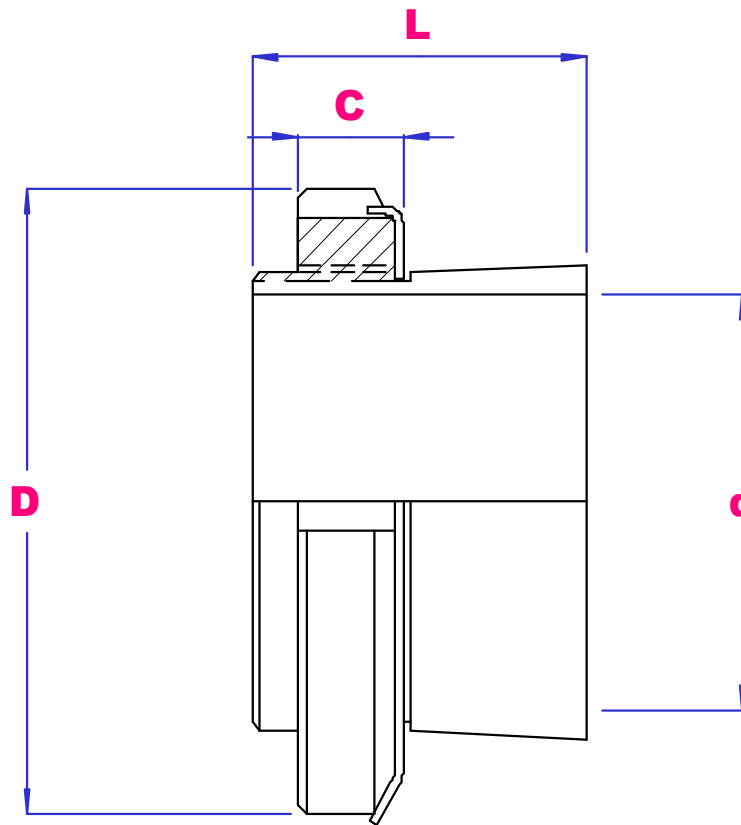
PART NO	d	D	B	C	E	F	m	r min	t	G WRE	G STW	H	LOAD		Rpm max	WRE ring	STW ring	Wgt kg
													DkN	SkN				
SL04-5004PP	20	42	30	29	24.7	39.8	1.8	0.3	0.5	21.5	21	31	41.5	50	8500	42	042	0.2
SL04-5005PP	25	47	30	29	24.7	44.8	1.8	0.3	0.5	21.5	21	35.5	45.5	59	7500	47	047	0.24
SL04-5006PP	30	55	34	33	28.2	52.8	2.1	0.3	0.5	25	24	41	52	69	6500	55	055	0.37
SL04-5007PP	35	62	36	35	30.2	59.8	2.1	0.3	0.5	27	26	46.5	65	90	5500	62	062	0.48

<b>SL04-5008PP</b>	40	68	38	37	32.2	65.8	2.7	0.6	0.8	28	27	51.5	82	113	5000	68	068	0.56
<b>SL04-5009PP</b>	45	75	40	39	34.2	72.8	2.7	0.6	0.8	30	29	57.5	98	141	4500	75	075	0.71
<b>SL04-5010PP</b>	50	80	40	39	34.2	77.8	2.7	0.6	0.8	30	29	62	103	154	4200	80	080	0.76
<b>SL04-5011PP</b>	55	90	46	45	40.2	87.4	3.2	0.6	1.0	35	34	69	118	180	3800	90	090	1.18
<b>SL04-5012PP</b>	60	95	46	45	40.2	92.4	3.2	0.6	1.0	35	34	74	123	195	3500	95	095	1.26
<b>SL04-5013PP</b>	65	100	46	45	40.2	97.4	3.2	0.6	1.0	35	34	79	128	209	3300	100	100	1.33
<b>SL04-5014PP</b>	70	110	54	53	48.2	107.1	4.2	0.6	1.0	43	40	85	172	270	3000	110	110	1.87
<b>SL04-5015PP</b>	75	115	54	53	48.2	112.1	4.2	0.6	1.0	43	40	90	198	305	2800	115	115	1.96
<b>SL04-5016PP</b>	80	125	60	59	54.2	122.1	4.2	0.6	1.5	49	46	97.5	206	335	2600	125	125	2.71
<b>SL04-5017PP</b>	85	130	60	59	54.2	127.1	4.2	0.6	1.5	49	46	104.5	215	360	2500	130	130	2.83
<b>SL04-5018PP</b>	90	140	67	66	59.2	137	4.2	0.6	1.5	54	51	109.5	310	520	2300	140	140	3.71
<b>SL04-5019PP</b>	95	145	67	66	59.2	142	4.2	0.6	1.5	54	51	113.5	315	540	2200	145	145	3.88
<b>SL04-5020PP</b>	100	150	67	66	59.2	147	4.2	0.6	1.5	54	51	118	330	550	2100	150	150	3.95
<b>SL04-5022PP</b>	110	170	80	79	70.2	167	4.2	0.6	1.8	65	62	132	395	680	1900	170	170	6.57
<b>SL04-5024PP</b>	120	180	80	79	71.2	176	4.2	0.6	1.8	65	63	141.5	410	740	1800	180	180	7.04
<b>SL04-5026PP</b>	130	200	95	94	83.2	196	4.2	0.6	1.8	77	75	157	550	980	1600	200	200	10.5
<b>SL04-5028PP</b>	140	210	95	94	83.2	206	5.2	0.6	1.8	77	73	165.5	630	1120	1500	210	210	11.1
<b>SL04-5030PP</b>	150	225	100	99	87.2	221	5.2	0.6	2.0	81	77	176	710	1270	1400	225	225	13.3
<b>SL04-5032PP</b>	160	240	109	108	95.2	236	5.2	0.6	2.0	89	85	189.5	740	1370	1300	240	240	16.6
<b>SL04-5034PP</b>	170	260	122	121	107.2	254	5.2	0.6	2.0	100	97	201	960	1760	1300	260	260	22.6
<b>SL04-5036PP</b>	180	280	136	135	118.2	274	5.2	0.6	2.0	112	108	218	1140	2140	1200	280	280	30.1
<b>SL04-5038PP</b>	190	290	136	135	118.2	284	5.2	0.6	2.0	112	108	226.5	1170	2230	1100	290	290	31.5
<b>SL04-5040PP</b>	200	310	150	149	128.2	304	6.3	0.6	2.0	126	116	243.5	1370	2650	1000	310	310	40.8

# UBC



## ADAPTER SLEEVES



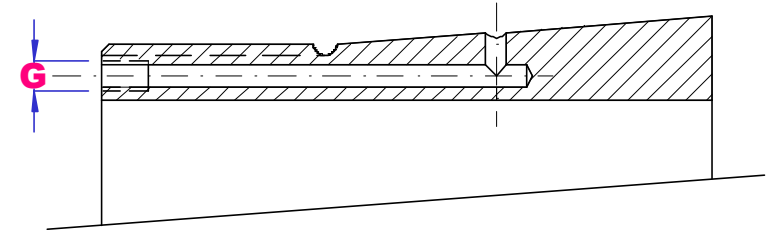
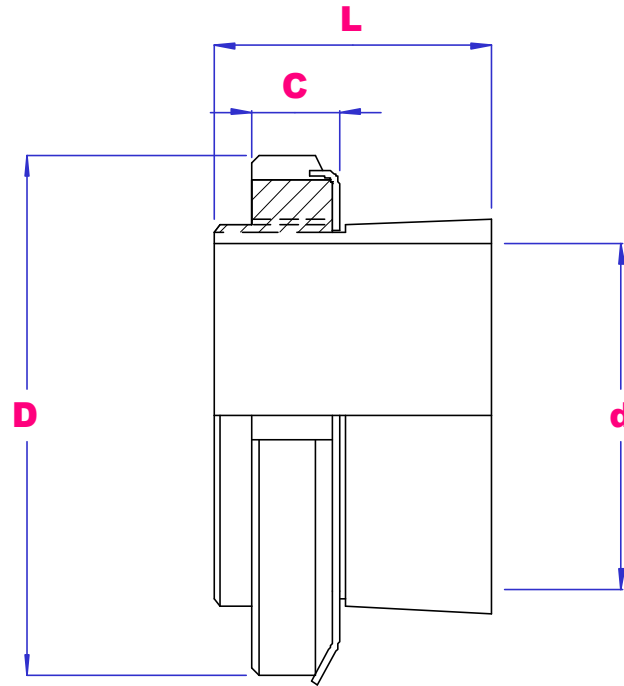
PART NO	d mm	D mm	L mm	C mm	Thread	Wgt kg	PART NO	d mm	D mm	L mm	C mm	Thread	Wgt kg
H205	20	38	26	7	M25X1.5	0.069	H215	65	98	43	15	M75X2	0.777
H305		38	29	7	M25X1.5	0.075	H315		98	55	15	M75X2	0.826
H2305		38	35	7	M25X1.5	0.087	H2315		98	73	15	M75X2	1.16
HX2306		45	38	9	M30X1.5	0.121	HX2316		105	78	17	M80X2	1.55
H206	25	45	27	9	M30X1.5	0.091	H216	70	105	46	17	M80X2	0.876
H306		45	31	9	M30X1.5	0.100	H316		105	59	17	M80X2	1.03
H2306		45	38	9	M30X1.5	0.117	H2316		105	78	17	M80X2	1.16
HX2307		52	43	10	M35X1.5	0.195	HX2317		110	82	18	M85X2	1.85

H207	30	52	29	10	M35X1.5	0.129		H217	75	110	50	18	M85X2	1.09
H307		52	35	10	M35X1.5	0.147		H317		110	63	18	M85X2	1.16
H2307		52	43	10	M35X1.5	0.171		H2317		110	82	18	M85X2	1.55
HX2308		58	46	11	M40X1.5	0.255		HX2318		120	86	18	M90X2	1.99
H208	35	58	31	11	M40X1.5	0.171		H219	85	125	55	19	M95X2	1.45
H308		58	36	11	M40X1.5	0.185		H319		125	68	19	M95X2	1.51
H2308		58	46	11	M40X1.5	0.222		H2319		125	90	19	M95X2	2.06
HX2309		65	50	12	M45X1.5	0.315								
H209	40	65	33	12	M45X1.5	0.216		H220	90	130	58	20	M100X2	1.63
H309		65	39	12	M45X1.5	0.246		H320		130	71	20	M100X2	1.73
H2309		65	50	12	M45X1.5	0.283		H3120		130	76	20	M100X2	1.85
HX2310		70	55	13	M50X1.5	0.395		H2320		130	97	20	M100X2	2.17
H210	45	70	35	13	M50X1.5	0.216		H222	100	145	63	21	M110X2	2.03
H310		70	42	13	M50X1.5	0.301		H322		145	77	21	M110X2	2.16
H2310		70	55	13	M50X1.5	0.353		H3122		145	81	21	M110X2	2.26
HX2311		75	59	13	M55X2	0.475		H2322		145	105	21	M110X2	2.74
H211	50	75	37	13	M55X2	0.292		H3024	110	145	72	22	M120X2	1.93
H311		75	45	13	M55X2	0.351		H3124		155	88	22	M120X2	2.64
H2311		75	59	13	M55X2	0.426		H2324		155	112	22	M120X2	3.18
HX2312		80	62	13	M60X2	0.575								
H212	55	80	38	13	M60X2	0.344		H3026	115	155	80	23	M130X2	2.85
H312		80	47	13	M60X2	0.373		H3126		165	92	23	M130X2	3.66
H2312		80	62	13	M60X2	0.533		H2326		165	121	23	M130X2	4.65
HX2313		85	65	14	M65X2	0.605								
H213	60	85	40	14	M65X2	0.393		H3028	125	165	82	24	M140X2	3.16
H313		85	50	14	M65X2	0.452		H3128		180	97	24	M140X2	4.34
H2313		85	65	14	M65X2	0.553		H2328		180	131	24	M140X2	5.55
HX2314		92	68	14	M70X2	0.925								
H214	60	92	41	14	M70X2	0.603		H3030	135	180	87	26	M150X2	3.89
H314		92	52	14	M70X2	0.715		H3130		195	111	26	M150X2	5.52
H2314		92	68	14	M70X2	0.895		H2330		195	139	26	M150X2	6.63

# UBC



## ADAPTER SLEEVES

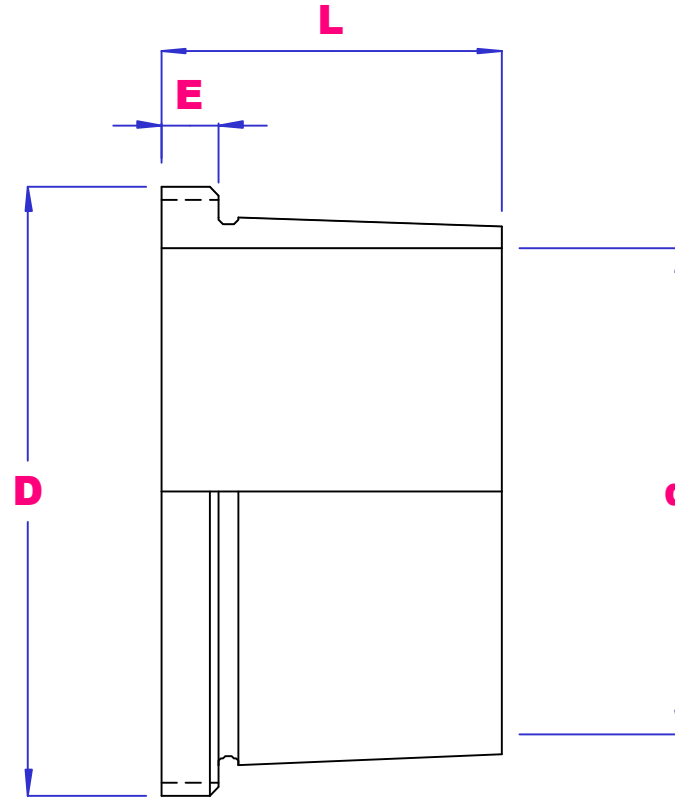


<b>PART NO</b>	<b>d mm</b>	<b>D mm</b>	<b>L mm</b>	<b>C mm</b>	<b>G</b>	<b>Thread</b>	<b>Wgt kg</b>		<b>PART NO</b>	<b>d mm</b>	<b>D mm</b>	<b>L mm</b>	<b>C mm</b>	<b>G</b>	<b>Thread</b>	<b>Wgt kg</b>
<b>OH3032</b>	<b>140</b>	190	93	28	M6	M160X3	5.21		<b>OH3056</b>	<b>260</b>	330	152	38	M6	TR280X4	17.7
<b>OH3132</b>		210	119	28	M6	M160X3	7.68		<b>OH3156</b>		350	195	41	M6	TR280X4	25.2
<b>OH2332</b>		210	147	28	M6	M160X3	9.14		<b>OH2356</b>		350	224	41	M6	TR280X4	28.4
<b>OH3034</b>	<b>150</b>	200	101	29	M6	M170X3	6.1		<b>OH3060</b>		<b>280</b>	360	168	42	M6	TR300X4
<b>OH3134</b>		220	122	29	M6	M170X3	8.4		<b>OH3160</b>	380		208	40	M6	TR300X4	30.3
<b>OH2334</b>		220	154	29	M6	M170X3	10.2		<b>OH3260</b>	380		240	40	M6	TR300X4	34.1
<b>OH3036</b>	<b>160</b>	210	109	30	M6	M180X3	6.8		<b>OH3064</b>	<b>300</b>	380	171	42	M6	TR320X5	24.6
<b>OH3136</b>		230	131	30	M6	M180X3	9.5		<b>OH3164</b>		400	226	42	M6	TR320X5	34.9
<b>OH2336</b>		230	131	30	M6	M180X3	11.3		<b>OH3264</b>		400	258	42	M6	TR320X5	39.3
<b>OH3038</b>	<b>170</b>	220	112	31	M6	M190X3	7.5		<b>OH3068</b>	<b>320</b>	400	187	45	M6	TR340X5	28.7
<b>OH3138</b>		240	141	31	M6	M190X3	10.8		<b>OH3168</b>		440	254	55	M6	TR340X5	49.5
<b>OH2338</b>		240	169	31	M6	M190X3	12.6		<b>OH3268</b>		440	288	55	M6	TR340X5	54.6
<b>OH3040</b>	<b>180</b>	260	120	32	M6	M200X3	9.2		<b>OH3072</b>	<b>340</b>	420	188	45	M6	TR360X5	30.5
<b>OH3140</b>		280	150	32	M6	M200X3	12.1		<b>OH3172</b>		460	259	58	M6	TR360X5	54.2
<b>OH2340</b>		280	176	32	M6	M200X3	13.9		<b>OH3272</b>		460	299	58	M6	TR360X5	60.6
<b>OH3044</b>	<b>200</b>	260	126	30	M6	TR220X4	10.3		<b>OH3076</b>	<b>360</b>	450	193	48	M6	TR380X5	35.8
<b>OH3144</b>		280	161	35	M6	TR220X4	14.9		<b>OH3176</b>		490	264	60	M6	TR380X5	61.7
<b>OH2344</b>		280	186	35	M6	TR220X4	16.9		<b>OH3276</b>		490	310	60	M6	TR380X5	69.7
<b>OH3052</b>	<b>240</b>	310	145	34	M6	TR260X4	15.3		<b>OH3080</b>	<b>380</b>	470	210	66	M6	TR400X5	41.3
<b>OH3152</b>		330	190	39	M6	TR260X4	22.4		<b>OH3180</b>		520	272	82	M6	TR400X5	70.6
<b>OH2352</b>		330	211	39	M6	TR260X4	24.6		<b>OH3280</b>		520	328	82	M6	TR400X5	81.5

# UBC



## WITHDRAWAL SLEEVES



PART NO	d	D	LOCKNUT	E	L	Wgt kg	PART NO	d	D	LOCKNUT	E	L	Wgt kg
AH308	35	M45x1.5	KM09	6	29	0.09	AHX3026	125	M140X2	KM28	14	67	0.91
AHX2308		M45x1.5	KM09	7	40	0.13	AHX3126		M140X2	KM28	12	78	1.10
							AHX3226		M145X2	KM29	15	98	1.55
							AHX2326		M145X2	KM29	19	115	2.00
AH309	40	M50x1.5	KM10	6	31	0.12	AHX3028	135	M150X2	KM30	14	68	1.00
AHX2309		M50x1.5	KM10	7	44	0.16	AHX3128		M150X2	KM30	14	83	1.30
							AHX3228		M155X3	KM31	15	104	1.85
							AHX2328		M155X3	KM31	20	125	2.35
AHX310	45	M55x2	KM11	7	35	0.13	AHX3030	145	M160X3	KM32	15	72	1.15
AHX2310		M55x2	KM11	9	50	0.19	AHX3130		M165X3	KM33	15	96	1.80
							AHX3230		M165X3	KM33	17	114	2.20
							AHX2330		M165X3	KM33	24	135	2.80

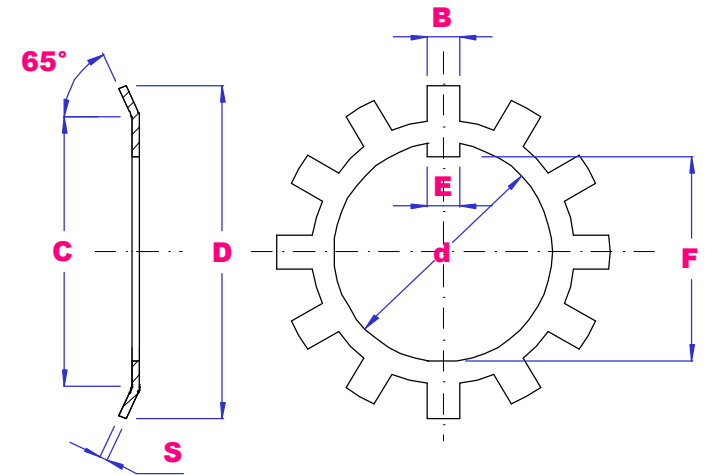
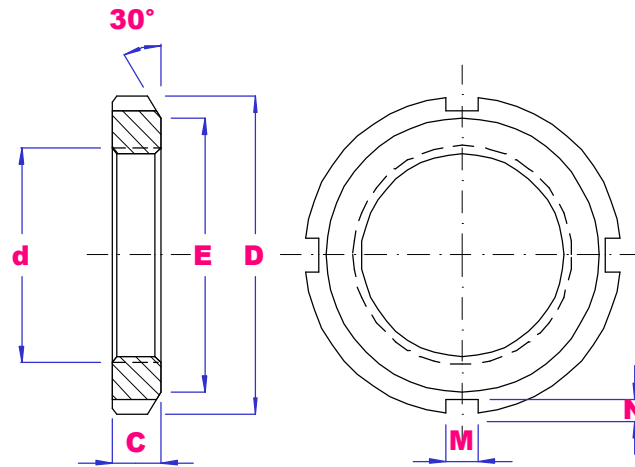
<b>AHX311</b> <b>AHX2311</b>	50	M60x2 M60x2	KM12 KM12	7 9	37 54	0.17 0.26		<b>AH3032</b> <b>AH3132</b> <b>AHX3232</b> <b>AHX2332</b>	150	M170X3 M180X3 M180X3 M180X3	KM34 KM36 KM36 KM36	16 16 20 24	77 103 124 140	2.05 3.20 4.00 4.65
<b>AHX312</b> <b>AHX2312</b>	55	M65x2 M65x2	KM13 KM13	8 11	43 61	0.19 0.30		<b>AH3034</b> <b>AH3134</b> <b>AH3234</b>	160	M180X3 M190X3 M190X3	KM36 KM38 KM38	17 16 24	85 104 134	2.45 3.45 4.80
<b>AHX313</b> <b>AHX2313</b>	60	M75x2 M75x2	KM15 KM15	8 12	45 64	0.26 0.39		<b>AH3036</b> <b>AH3136</b> <b>AH3236</b>	170	M190X3 M200X3 M200X3	KM38 KM40 KM40	17 19 24	92 116 140	2.80 4.25 5.25
<b>AHX314</b> <b>AHX2314</b>	65	M80x2 M80x2	KM16 KM16	8 12	47 68	0.28 0.45		<b>AH3038</b> <b>AH3138</b> <b>AH3238</b>	180	TR205X4 TR210X4 TR210X4	HML41 HM42 HM42	18 20 26	96 125 145	3.40 4.90 5.90
<b>AHX315</b> <b>AHX2315</b>	70	M85x2 M85x2	KM17 KM17	8 12	49 72	0.31 0.53		<b>AH3040</b> <b>AH3140</b> <b>AH3240</b>	190	TR215X4 TR220X4 TR220X4	HML43 HM44 HM44	19 21 25	102 134 153	3.85 5.65 6.60
<b>AHX316</b> <b>AHX2316</b>	75	M90x2 M90x2	KM18 KM18	8 12	52 75	0.37 0.57		<b>AH3044</b> <b>AH3144</b>	200	TR235X4 TR240X4	HML47 HM48	20 23	111 145	7.40 9.3
<b>AHX317</b> <b>AHX2317</b>	80	M95x2 M95x2	KM19 KM19	9 13	56 78	0.43 0.65		<b>AH3048</b> <b>AH3148</b>	220	TR260X4 TR260X4	HML52 HM52	21 25	116 154	7.95 12.0
<b>AHX318</b> <b>AHX3218</b> <b>AHX2318</b>	85	M100x2 M100X2 M100x2	KM20 KM20 KM20	9 10 14	57 67 83	0.46 0.57 0.76		<b>AH3052</b> <b>AH3152</b>	240	TR280X4 TR290X4	HML56 HM58	23 26	128 172	9.6 16.0
<b>AHX319</b> <b>AHX2319</b>	90	M105x2 M105x2	KM21 KM21	10 16	67 89	0.54 0.90		<b>AH3056</b> <b>AH3156</b>	260	TR300X4 TR310X5	HML60 HM62	24 28	131 175	11.0 15.5
<b>AHX320</b> <b>AHX2320</b>	95	M110x2 M110x2	KM22 KM22	10 16	63 94	0.58 1.00		<b>AH3060</b> <b>AH3160</b>	280	TR320X5 TR330X5	HML64 HM66	26 30	145 192	13.0 19.0
<b>AHX3122</b> <b>AHX3222</b> <b>AHX2322</b>	105	M120X2 M125X2 M125X2	KM24 KM25 KM25	11 11 16	68 82 98	0.76 1.05 1.35		<b>AH3064</b> <b>AH3164</b>	300	TR345X5 TR350X5	HML68 HM70	27 31	149 209	14.5 22.5
<b>AHX3024</b> <b>AHX3124</b> <b>AHX3224</b> <b>AHX2324</b>	115	M130X2 M130X2 M135X2 M135X2	KM26 KM26 KM27 KM27	13 12 13 17	60 75 90 105	0.73 0.94 1.30 1.65		<b>AH3068</b> <b>AH3168</b>	320	TR365X5 TR370X5	HML73 HM74	28 33	162 225	17.5 26.5



# UBC



## LOCK NUTS TAB WASHERS



PART NO	d	D	C	E	M	N	Wgt kg
KM00	M10X0.75	18	4	13.5	3	2	0.004
KM01	M12X1	22	4	17	3	2	0.007
KM02	M15X1	25	5	21	4	2	0.010
KM03	M17X1	28	5	24	4	2	0.013
KM04	M20X1	32	6	26	4	2	0.019
KM05	M25X1.5	38	7	32	5	2	0.025
KM06	M30X1.5	45	7	38	5	2	0.043
KM07	M35X1.5	52	8	44	5	2	0.053
KM08	M40X1.5	58	9	50	6	2.5	0.085
KM09	M45X1.5	65	10	56	6	2.5	0.119
KM10	M50X1.5	70	11	61	6	2.5	0.148
KM11	M55X2	75	11	67	7	3	0.158
KM12	M60X2	80	11	73	7	3	0.174

PART NO	d	D	C	S	E	F	B	Wgt g
MB00	10	21	13.5	1	3	8.5	3	1.31
MB01	12	25	17	1	3	10.5	3	1.92
MB02	15	28	21	1	4	13.5	4	2.53
MB03	17	32	24	1	4	15.5	4	3.13
MB04	20	36	26	1	4	18.5	4	3.5
MB05	25	42	32	1.25	5	23.0	5	6.4
MB06	30	49	38	1.25	5	27.5	5	7.8
MB07	35	57	44	1.25	6	32.5	5	10.4
MB08	40	62	50	1.25	6	37.5	6	12.3
MB09	45	69	56	1.25	6	42.5	6	15.2
MB10	50	74	61	1.25	6	47.5	6	16.0
MB11	55	81	67	1.5	8	52.5	7	19.6
MB12	60	86	73	1.5	8	57.5	7	25.3

<b>KM13</b>	M65X2	85	12	19	7	3	0.203
<b>KM14</b>	M70X2	92	12	85	8	3.5	0.242
<b>KM15</b>	M75X2	98	13	90	8	3.5	0.287
<b>KM16</b>	M80X2	105	15	95	8	3.5	0.397
<b>KM17</b>	M85X2	110	16	102	8	3.5	0.451
<b>KM18</b>	M90X2	120	16	108	10	4	0.556
<b>KM19</b>	M95X2	125	17	113	10	4	0.658
<b>KM20</b>	M100X2	130	18	120	10	4	0.698
<b>KM21</b>	M105X2	140	18	126	12	5	0.846
<b>KM22</b>	M110X2	145	19	133	12	5	0.965
<b>KM23</b>	M115X2	150	19	137	12	5	1.01
<b>KM24</b>	M120X2	155	20	138	12	5	1.08
<b>KM25</b>	M125X2	160	21	148	12	5	1.19
<b>KM26</b>	M130X2	165	21	149	12	5	1.25
<b>KM27</b>	M135X2	175	22	160	14	6	1.55
<b>KM28</b>	M140X2	180	22	160	14	6	1.56
<b>KM29</b>	M145X2	190	24	171	14	6	1.80
<b>KM30</b>	M150X2	195	24	171	14	6	2.03
<b>KM31</b>	M155X3	200	25	182	16	7	2.30
<b>KM32</b>	M160X3	210	25	182	16	7	2.59
<b>KM33</b>	M165X3	210	26	193	16	7	2.70
<b>KM34</b>	M170X3	220	26	193	16	7	2.80
<b>KM36</b>	M180X3	230	27	203	18	8	3.07
<b>KM38</b>	M190X3	240	28	214	18	8	3.39
<b>KM40</b>	M200X3	250	29	226	18	8	3.69
<b>KM44</b>	TR220X4	280	32	250	20	10	5.35
<b>KM48</b>	TR240X4	300	34	270	20	10	6.20
<b>HM52</b>	TR260X4	330	35	300	24	12	8.40
<b>HM56</b>	TR280X4	350	36	320	24	12	9.60
<b>HM60</b>	TR300X4	370	36	340	24	12	10.3
<b>HM64</b>	TR320X5	400	40	370	24	12	12.1
<b>HM68</b>	TR340X5	420	42	390	28	15	14.6

<b>MB13</b>	65	92	19	1.5	8	62.5	7	29.0
<b>MB14</b>	70	98	85	1.5	8	66.5	8	33.4
<b>MB15</b>	75	104	90	1.5	8	71.5	8	35.6
<b>MB16</b>	80	112	95	1.8	10	76.5	8	46.4
<b>MB17</b>	85	119	102	1.8	10	81.5	8	52.5
<b>MB18</b>	90	126	108	1.8	10	86.5	10	62.3
<b>MB19</b>	95	133	113	1.8	10	91.5	10	67.0
<b>MB20</b>	100	142	120	1.8	12	96.5	10	76.5
<b>MB21</b>	105	145	126	1.8	12	100.5	12	82.6
<b>MB22</b>	110	154	133	1.8	12	105.5	12	94.0
<b>MB23</b>	115	159	137	2	12	110.5	12	103
<b>MB24</b>	120	164	138	2	14	115	12	105
<b>MB25</b>	125	170	148	2	14	120	12	118
<b>MB26</b>	130	175	149	2	14	125	12	113
<b>MB27</b>	135	185	160	2	14	130	14	144
<b>MB28</b>	140	192	160	2	16	135	14	142
<b>MB29</b>	145	202	171	2	16	140	14	168
<b>MB30</b>	150	205	171	2	16	145	14	155
<b>MB31</b>	155	212	182	2.5	16	147.5	16	209
<b>MB32</b>	160	217	182	2.5	18	154	16	222
<b>MB33</b>	165	222	193	2.5	18	157.5	16	241
<b>MB34</b>	170	232	193	2.5	18	164	16	247
<b>MB36</b>	180	242	203	2.5	20	174	18	258
<b>MB38</b>	190	252	214	2.5	20	184	18	278
<b>MB40</b>	200	262	226	2.5	20	194	18	293
<b>MB44</b>	220	292	250	3.0	24	213	20	400
<b>MB48</b>	240	312	270	3.0	24	233	20	400
<b>MB52</b>	260	342	300	3.0	28	253	24	600
<b>MB56</b>	280	362	320	3.0	28	273	24	620

# FSSN UNIT COMPONENTS

**FSSN500SGTACB  
COMPLETE**

1 X FSSN500 SGT BODY

2 X TAC500 SEAL KIT

1 X H/HE ADAPTER SLEEVE

1 X 20000 KW33C3 BEARING

FOR FIXED UNIT ADD 2 X FR000X00 FIXING RINGS

**FSSN500SGTACA  
COMPLETE**

1 X FSSN500 SGT BODY

1 X TAC500 SEAL KIT

1 X PLATE500 BLANK PLATE

1 X H/HE ADAPTER SLEEVE

1 X 20000 KW33C3 BEARING

FOR FIXED UNIT ADD 2 X FR000X00 FIXING RINGS

# SD UNIT COMPONENTS

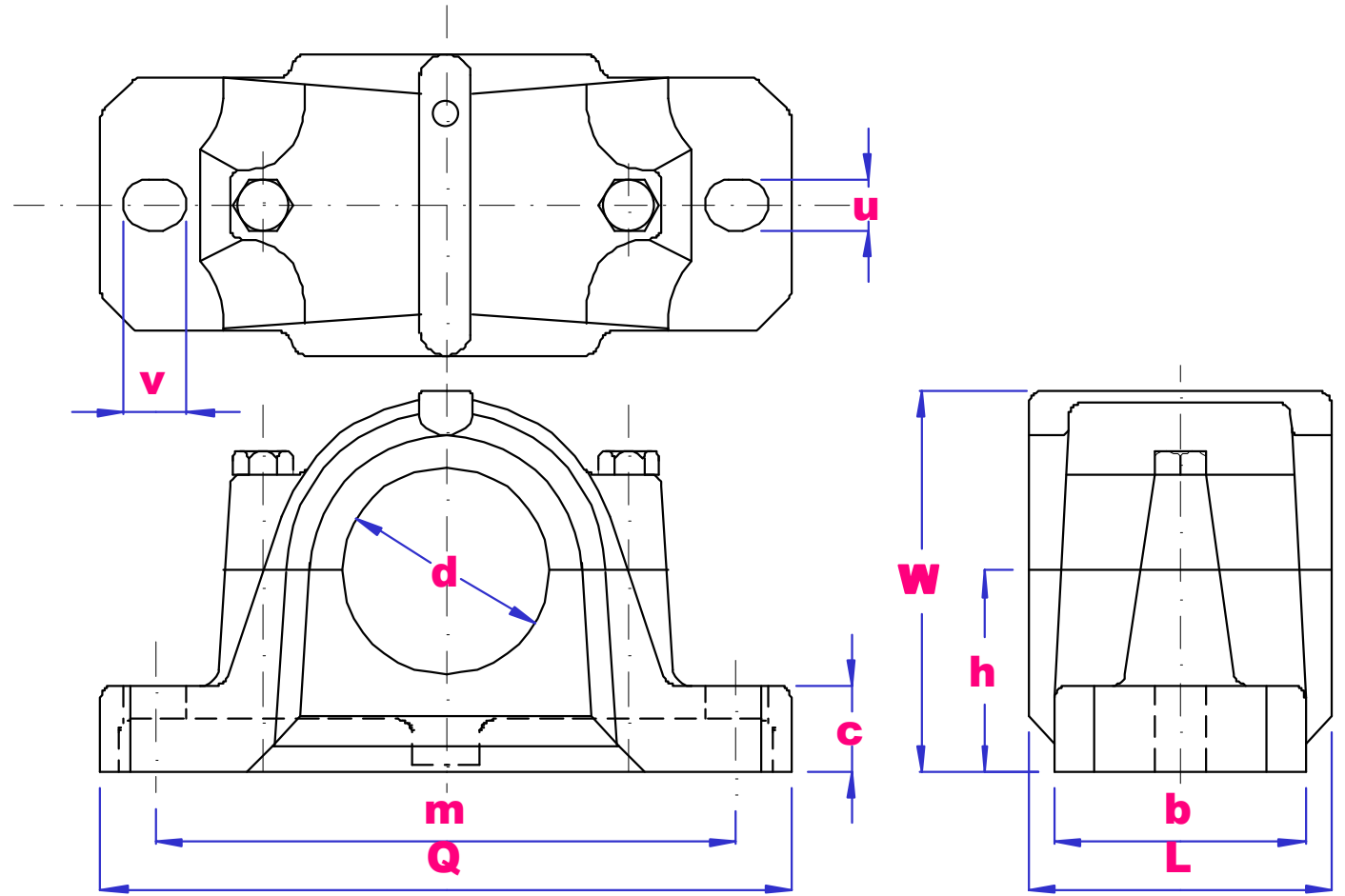
<b>SD3100SGTACB COMPLETE</b>	1 X SD3100 SGT BODY
	2 X TAC3100 SEAL KIT
	1 X OH3100 ADAPTER SLEEVE
	1 X 23100 K W33 C3 BEARING
<b>FOR FIXED UNIT ADD 2 X FR000X00 FIXING RINGS</b>	

<b>SD3100SGTACA COMPLETE</b>	1 X SD3100 SGT BODY
	1 X TAC3100 SEAL KIT
	1 X P3100 BLANK PLATE
	1 X OH3100 ADAPTER SLEEVE
	1 X 23100 K W33 C3 BEARING
<b>FOR FIXED UNIT ADD 2 X FR000X00 FIXING RINGS</b>	

# UBC



## SNU 500 CAST IRON HOUSING



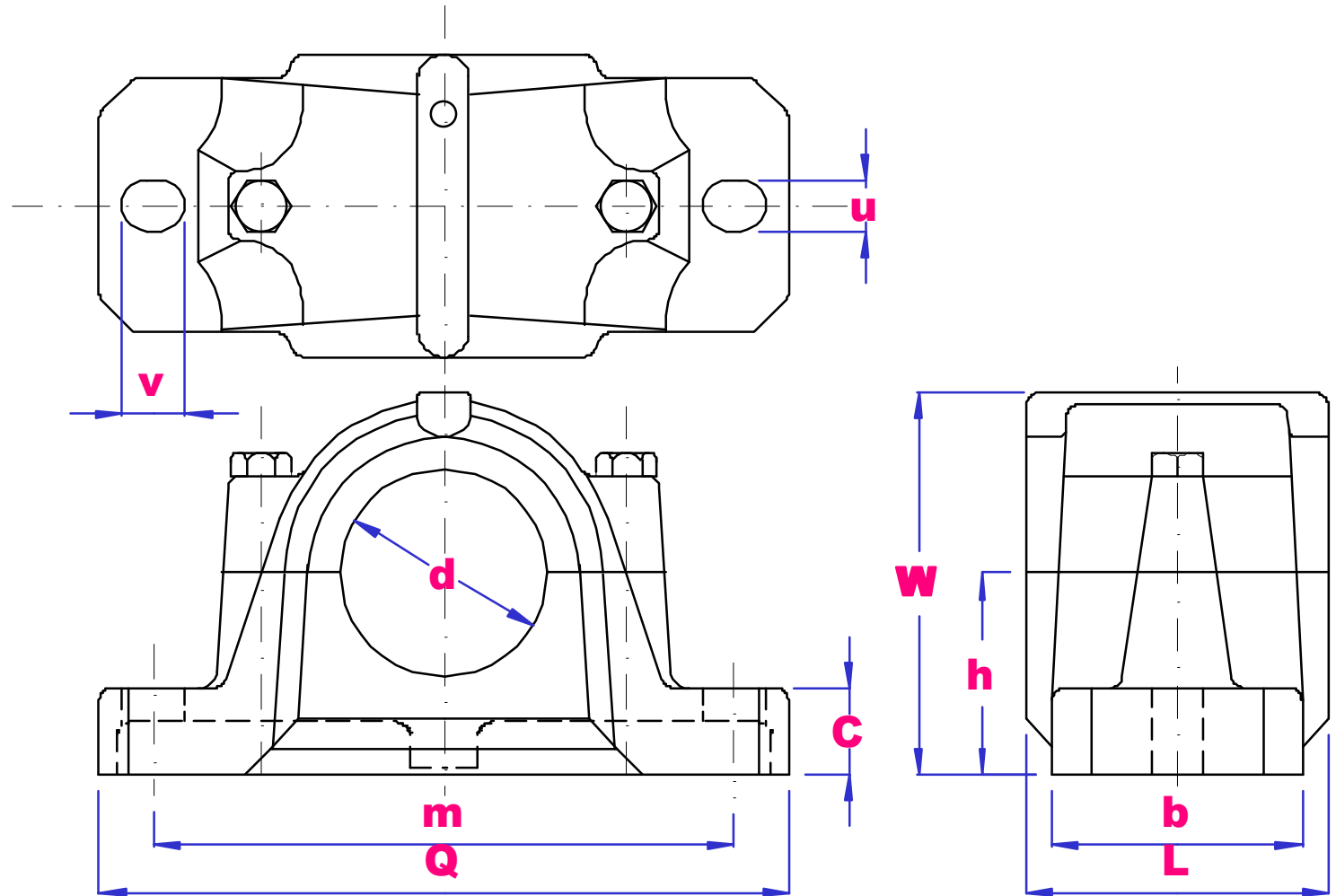
Housing No	d	h	Q	m	b	c	v	u	W	L	Bolt	Wgt kg	Bearing	Sleeve	Fixing Ring	
															size	qty
<b>SNU505</b>	20 3/4"	40	165	130	46	13	20	19	71	67	M10	1.9	1205K	H/HE205	FR52x5	2
<b>SNU506</b>	25 1"	50	185	150	52	13	22	22	87	77	M10	2.2	1206K 22206K	H/HE206 H/HE306	FR62x5 FR62X4	2 1
<b>SNU507</b>	30 1.1/8	50	185	150	52	13	20	22	92	82	M10	2.4	1207K 22207K	H/HE207 H/HE307	FR72x8.5 FR72x5.5	2 2
<b>SNU508</b>	35 1.1/4	60	205	170	60	15	20	25	106	85	M12	3.2	1208K 22208K	H/HE208 H/HE308	FR80x10.5 FR80x8	2 2
<b>SNU509</b>	40 1.1/2"	60	205	170	60	15	20	25	109	85	M12	3.5	1209K 22209K	H/HE209 H/HE309	FR85x5.5 FR85x7	2 1

<b>SNU510</b>	45 1.3/4"	60	205	170	60	15	20	25	112	90	M12	3.85	1210K 22210K	H/HE210 H/HE310	FR90x10.5 FR90x9	2 2
<b>SNU511</b>	50 2"	70	255	210	70	18	23	28	127	95	M16	5.2	1211K 22211K	H/HE211 H/HE311	FR100x11.5 FR100x9.5	2 2
<b>SNU512</b>	55	70	255	210	70	18	23	30	133	105	M16	6.7	1212K 22212K	H/HE212 H/HE312	FR110x13 FR110x10	2 2
<b>SNU513</b>	60 2.1/4"	80	275	230	80	18	24	30	148	110	M16	7.9	1213K 22213K	H/HE213 H/HE313	FR120x14 FR120x10	2 2
<b>SNU515</b>	65 2.1/2"	80	280	230	80	18	26	30	154	115	M16	7.7	1215K 22215K	H/HE215 H/HE315	FR130x15.5 FR130x12.5	2 2
<b>SNU516</b>	70 2.3/4"	95	315	260	90	22	29	32	175	120	M20	11.0	1216K 22216K	H/HE216 H/HE316	FR140x16 FR140x12.5	2 2
<b>SNU517</b>	75 3"	95	320	260	90	22	30	32	181	125	M20	12.7	1217K 22217K	H/HE217 H/HE317	FR150x16.5 FR150x12.5	2 2
<b>SNU518</b>	80 3.1/4"	100	345	290	100	22	27	35	192	140	M20	14.8	1218K 22218K 23218K	H/HE218 H/HE318 H/HE2318	FR160x17.5 FR160x12.5 FR160x12.5	2 2 1
<b>SNU519</b>	85 3.1/4"	112	345	290	100	22	27	35	209	145	M20	15.5	1219K 22219K	H/HE219 H/HE319	FR170x18 FR170x12.5	2 2
<b>SNU520</b>	90 3.1/2"	112	380	320	110	26	32	40	215	160	M24	18.4	1220K 22220K 23220K	H/HE220 H/HE320 H/HE2320	FR180x18 FR180x12 FR180x9.7	2 2 1
<b>SNU522</b>	100 4"	125	410	350	120	26	32	45	239	175	M24	24.8	1222K 22222K 23222K	H/HE222 H/HE322 H/HE2322	FR200x21 FR200x13.5 FR200x10.2	2 2 1
<b>SNU524</b>	110 4.1/4"	140	410	350	120	26	32	45	271	185	M24	32.2	22224K 23224K	H/HE3124 H/HE2324	FR215x14 FR215x10	2 1
<b>SNU526</b>	115 4.1/2"	150	445	380	130	28	35	50	290	190	M24	39.8	22226K 23226K	H/HE3126 H/HE2326	FR230x13 FR230x10	2 1
<b>SNU528</b>	125 5"	150	500	420	150	35	42	50	302	205	M30	48.8	22228K 23228K	H/HE3128 H/HE2328	FR250x15 FR250x10	2 1
<b>SNU530</b>	135	160	530	450	160	35	42	60	323	220	M30	56.5	22230K 23230K	H/HE3130 H/HE2330	FR270x16.5 FR270x10	2 1
<b>SNU532</b>	140	170	550	470	160	35	42	60	344	235	M30	63.5	22232K 23232K	H/HE3132 H/HE2332	FR290x17 FR290x10	2 1

# UBC



**SNU600**  
**CAST IRON**  
**HOUSING**



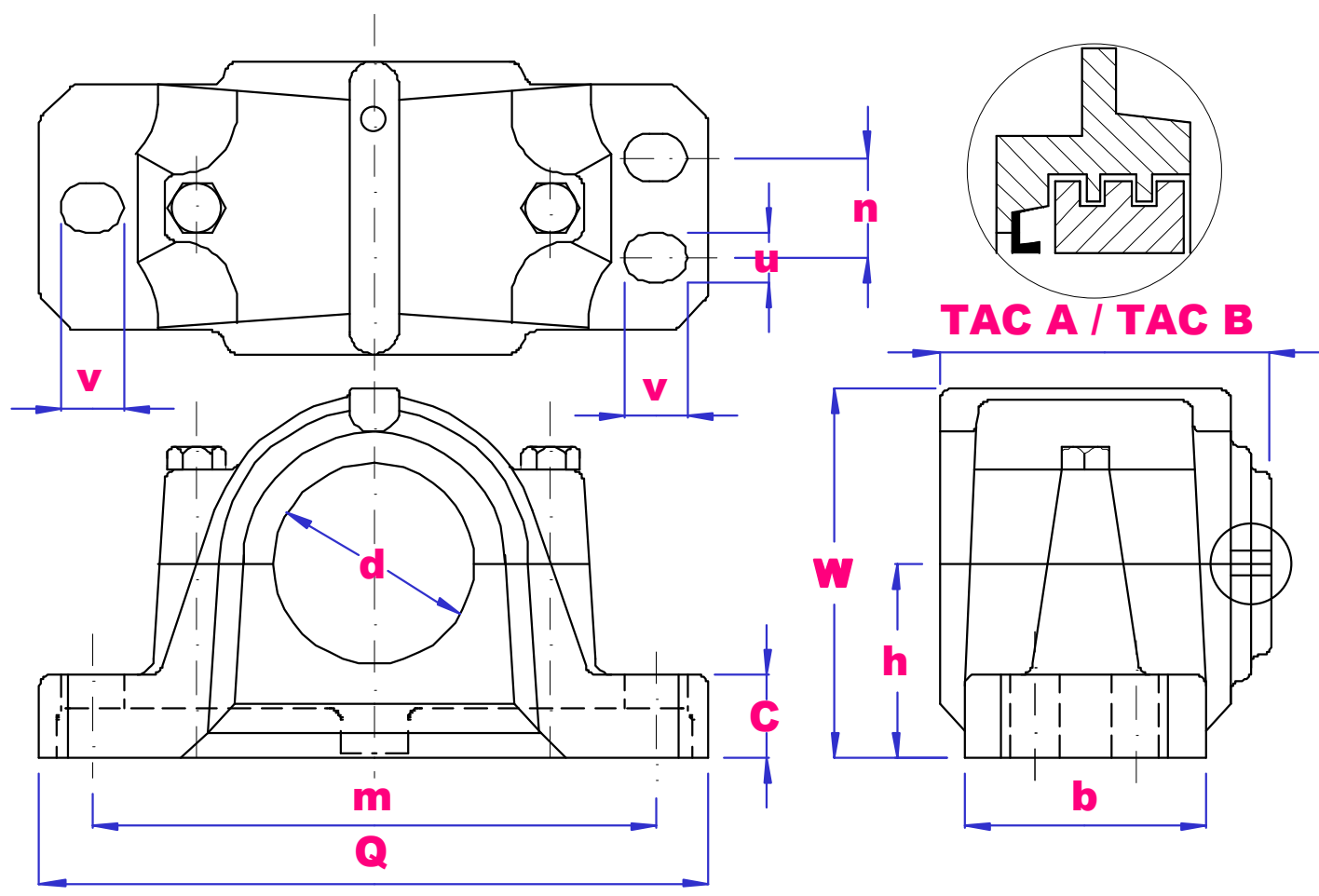
Housing No.	d	h	Q	b	C	v	u	W	L	bolt	Wgt kg	Bearing	Sleeve	Fixing Ring	
														Size	qty
<b>SNU605</b>	20	50	185	52	13	22	22	87	77	M10	2.2	1305K 2305K	H305 H2305	FR62X8.5 FR62X10	2 1
<b>SNU606</b>	25	50	185	52	13	20	22	92	82	M10	2.4	1306K 2306K	H306 H2306	FR72X9 FR72X10	2 1
<b>SNU607</b>	30	60	205	60	15	20	25	106	85	M12	3.2	1307K 2307K	H307 H2307	FR80X10 FR80X10	2 1
<b>SNU608</b>	35	60	205	60	15	20	25	112	90	M12	3.85	1308K 2308K 22308K	H308 H2308 H2308	FR90X10 FR90X10 FR90X10	2 1 1
<b>SNU609</b>	40	70	255	70	18	23	28	127	95	M16	5.2	1309K 22309K	H309 H2309	FR100X10.5 FR100X10	2 1
<b>SNU610</b>	45	70	255	70	18	23	30	133	105	M16	6.7	1310K 22310K	H310 H2310	FR110X11.5 FR110X10	2 1
<b>SNU611</b>	50	80	275	80	18	24	30	148	110	M16	7.9	1311K 22311K	H311 H2311	FR120X12 FR120X10	2 1
<b>SNU612</b>	55	80	280	80	18	26	30	154	115	M16	7.7	22312K	H2312	FR130X10	1
<b>SNU613</b>	60	95	315	90	22	29	32	175	120	M20	11.0	22313K	H2313	FR140X10	1
<b>SNU615</b>	65	100	345	100	22	27	35	192	140	M20	14.8	22315K	H2315	FR160X10	1
<b>SNU616</b>	70	112	345	100	22	27	35	209	145	M20	15.5	22316K	H2316	FR170X10	1
<b>SNU617</b>	75	112	380	110	26	32	40	215	160	M24	18.4	22317K	H2317	FR180X10	1
<b>SNU619</b>	85	125	410	120	26	32	45	239	175	M24	24.8	22319K	H2319	FR200X10	1
<b>SNU620</b>	90	140	410	120	26	32	45	271	185	M24	32.2	22320K	H2320	FR215X10	1



# UBC



**TSSN500 SG TAC**  
**FSSN500 SG TAC**  
**SG IRON**  
**HOUSINGS**

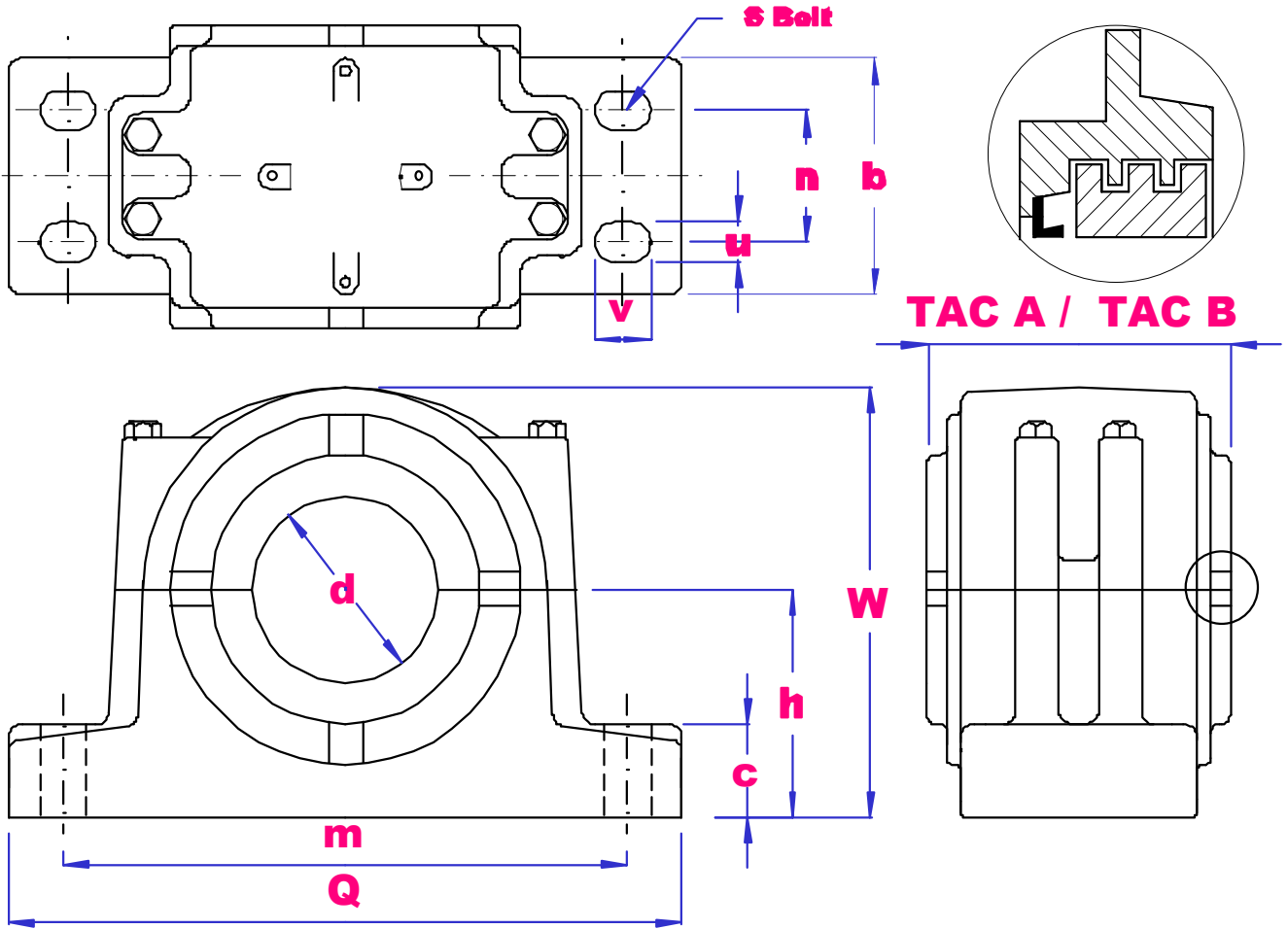


Housing No	d mm	d inch	Q	b	C	TAC		W	BOLT		m	n	u	v	Wgt kg	Bearing	Sleeve	Fixing ring	qty
						A	B		T	F									
<b>SSN509</b>	40	1.1/2	205	60	25	122	148	112	M12	M10	170	30	15	20	4.4	22209K	H309	FR85x8	1
<b>SSN510</b>	45	1.3/4	205	60	25	127	154	115	M12	M10	170	30	15	20	5.0	22210K	H310	FR90X10	1
<b>SSN511</b>	50	2	255	70	28	134	160	130	M16	M12	210	35	18	23	7.15	22211K	H311	FR100X8	1
<b>SSN512</b>	55	2.1/8	255	70	30	148	172	135	M16	M12	210	35	18	23	7.95	22212K	H312	FR110X10	1
<b>SSN513</b>	60	2.1/4	275	80	30	148	172	150	M16	M12	230	40	18	23	9.9	22213K	H313	FR120X12	1
<b>SSN515</b>	65	2.1/2	280	80	30	154	172	155	M16	M12	230	40	18	23	9.3	22215K	H315	FR130X10	1
<b>SSN516</b>	70	2.3/4	315	95	32	154	172	175	M20	M16	260	50	22	27	14.5	22216K	H316	FR140X10	1
<b>SSN517</b>	75	3	320	95	32	159	178	185	M20	M16	260	50	22	27	15.5	22217K	H317	FR150X10	1
<b>SSN518</b>	80	3.1/4	345	100	35	177	193	195	M20	M16	290	50	22	27	20.2	22218K 23218K	H318 H2318	FR160X11.2 FR160X10	2 1
<b>SSN519</b>	85	-	345	112	35	195	211	210	M20	M16	290	50	22	27	25.5	22219K	H319	FR170X10	1
<b>SSN520</b>	90	3.1/2	380	112	40	195	211	218	M24	M16	320	60	26	32	27.5	22220K 23220K	H320 H2320	FR180X12.1 FR180X10	2 1
<b>SSN522</b>	100	4	410	125	45	205	226	240	M24	M16	350	70	26	32	35	22222K 23222K	H322 H2322	FR200X13.5 FR200X10	2 1
<b>SSN524</b>	110	4.1/4	410	140	45	210	230	270	M24	M16	350	70	26	32	43.8	22224K 23224K	H3124 H2324	FR215X14 FR215X10	2 1
<b>SSN526</b>	115	4.1/2	445	150	50	220	240	290	M24	M16	380	70	28	36	50.4	22226K 23226K	H3126 H2326	FR230X13 FR230X10	2 1
<b>SSN528</b>	125	5	500	150	50	236	256	305	M30	M24	420	80	33	42	62	22228K 23228K	H3128 H2328	FR250X15 FR250X10	2 1
<b>SSN530</b>	135	5.1/4	530	160	60	251	276	325	M30	M24	450	90	33	42	75	22230K 23230K	H3130 H2330	FR270X16.5 FR270X10	2 1
<b>SSN532</b>	140	5.1/2	550	170	60	267	290	345	M30	M24	470	90	33	42	87	22232K 23232K	H3132 H2332	FR290X17 FR290X10	2 1

# UBC



**SD3000 SG TAC**  
**SG IRON HOUSINGS**

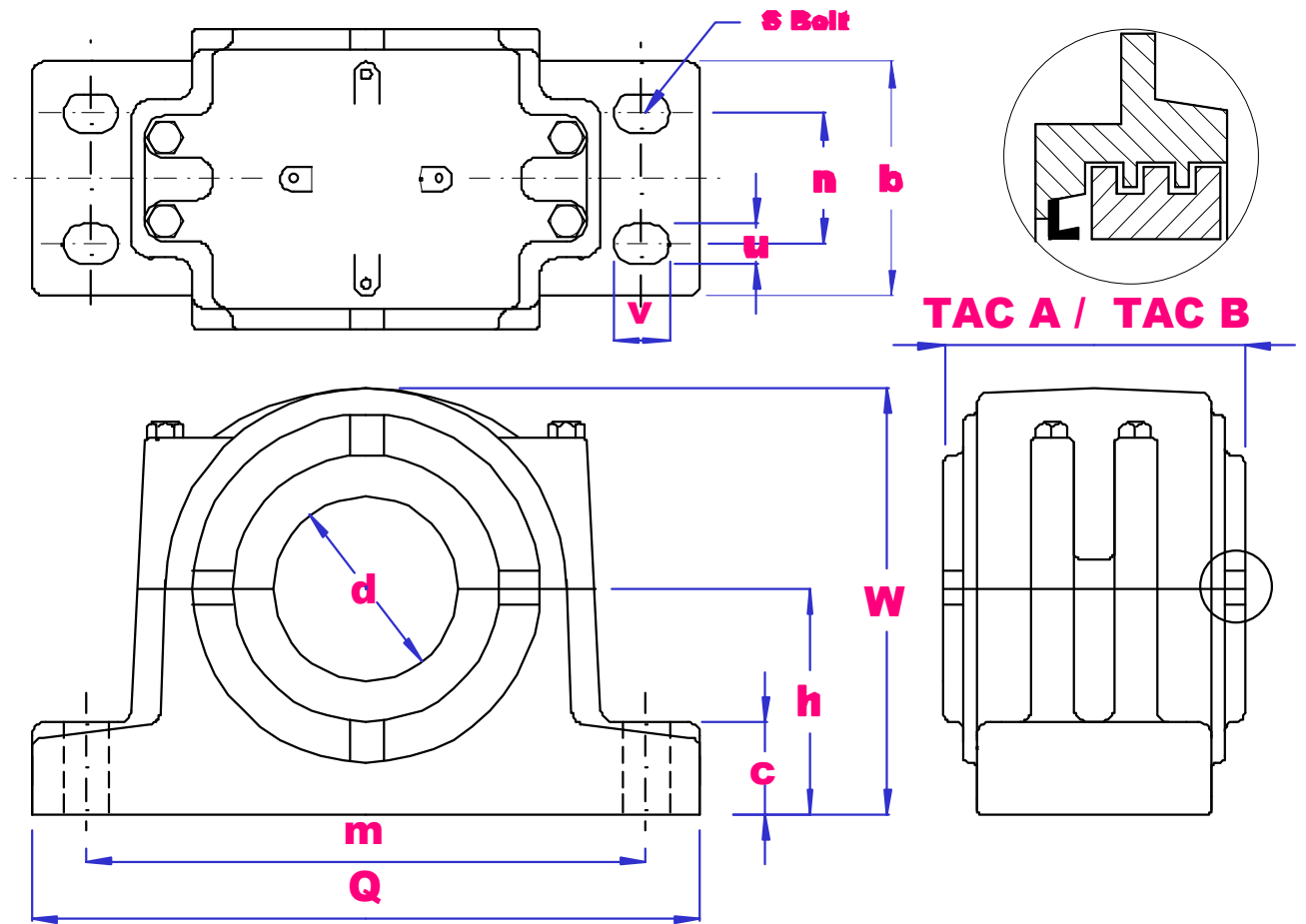


Housing No	d	Q	b	c	h	TAC		W	m	n	u	v	s	housing wgt kg	Bearing	Sleeve	Fixing ring	
						A	B										size	qty
<b>SD3034</b>	150	540	200	50	160	274	308	320	450	110	36	52	M30	62	23034K	H3034	FR260x10	1
<b>SD3036</b>	160	560	220	50	170	289	318	340	470	120	36	52	M30	78	23036K	H3036	FR280x10	1
<b>SD3038</b>	170	560	220	50	170	308	336	345	470	120	36	52	M30	82	23038K	H3038	FR290x10	1
<b>SD3040</b>	180	620	230	60	180	328	356	360	510	140	36	52	M30	92	23040K	H3040	FR310x10	1
<b>SD3044</b>	200	700	260	65	200	339	368	400	570	160	36	55	M30	125	23044K	H3044	FR340x10	1
<b>SD3048</b>	220	740	270	65	210	354	388	420	610	170	36	55	M30	140	23048K	H3048	FR360x10	1
<b>SD3052</b>	240	820	300	70	240	370	400	475	680	190	43	62	M36	200	23052K	H3052	FR400x10	1
<b>SD3056</b>	260	860	320	85	250	370	400	500	710	200	43	62	M36	230	23056K	H3056	FR420x10	1
<b>SD3060</b>	280	920	330	85	280	403	426	550	770	210	43	62	M36	290	23060K	H3060	FR460x10	1
<b>SD3064</b>	300	940	340	85	280	424	448	560	790	210	43	62	M36	300	23064K	H3064	FR480x10	1
<b>SD3068</b>	320	1020	370	100	310	464	488	615	860	230	50	70	M42	400	23068K	H3068	FR520x10	1
<b>SD3072</b>	340	1060	390	100	325	474	498	640	890	250	50	70	M42	450	23072K	H3072	FR540x10	1

# UBC



## SD3100 SG TAC SG IRON HOUSINGS

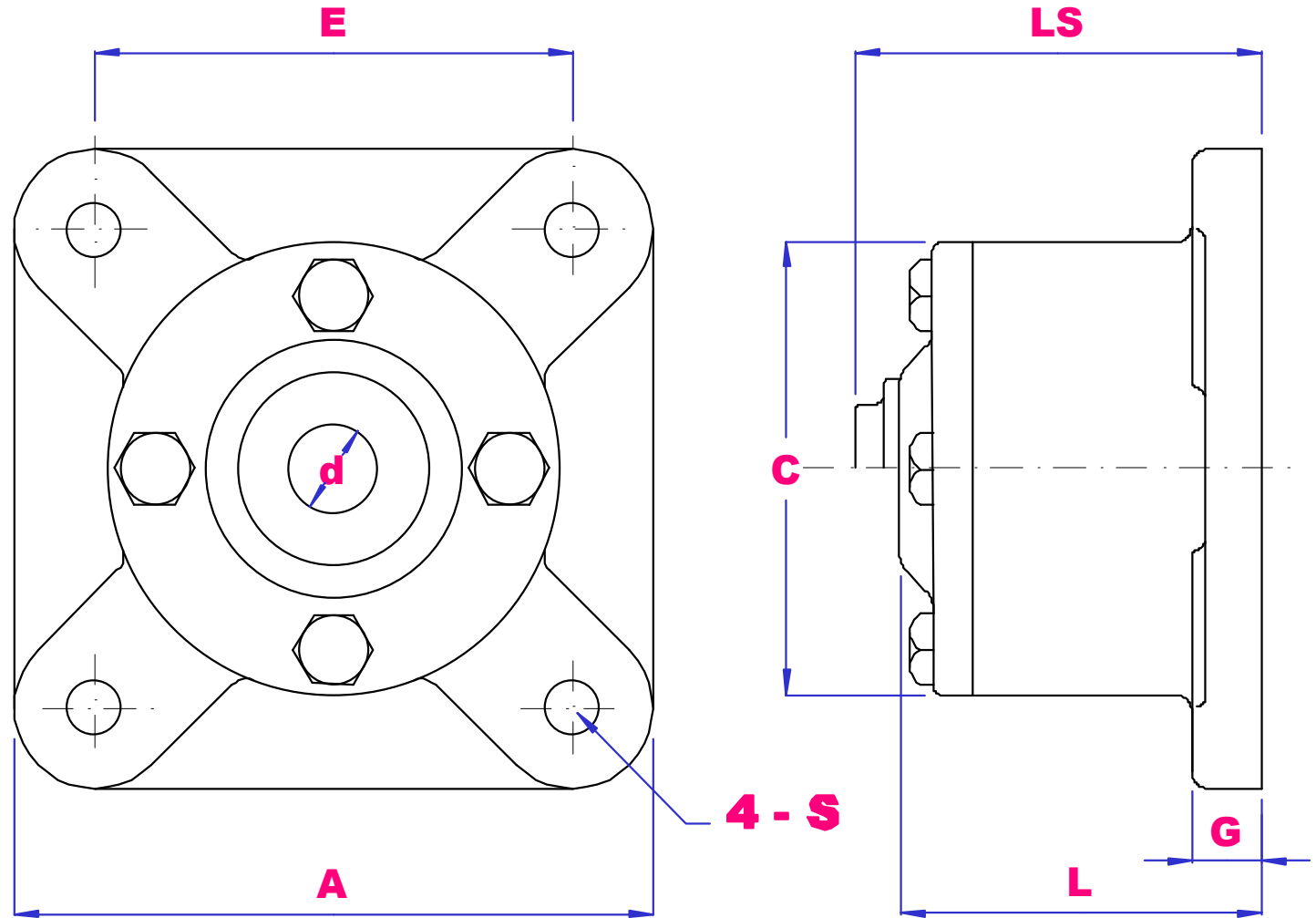


HOUSING NO	d	a	b	c	h	TAC		w	m	n	s	Housing Wgt kg	Bearing	Sleeve	Fixing ring	
						A	B								size	qty
<b>SD3134</b>	150 6"	510	180	70	170	274	308	335	430	100	M24	70	23134K	H3134 HE3134	FR280x10	2
<b>SD3136</b>	160 6.1/2"	530	190	75	180	289	318	355	450	110	M24	79	23136K	H3136 HE3136	FR300x10	2
<b>SD3138</b>	170 6.3/4"	560	210	80	190	308	336	375	480	120	M24	100	23138K	H3138 HE3138	FR320x10	2
<b>SD3140</b>	180 7"	610	230	85	210	328	356	410	510	130	M30	130	23140K	H3140 HE3140	FR340x10	2
<b>SD3144</b>	200	640	240	90	220	339	368	435	540	140	M30	146	23144K	H3144	FR370x10	2
<b>SD3148</b>	220	700	260	95	240	354	388	475	600	150	M30	190	23148K	H3148	FR400x10	2
<b>SD3152</b>	240	770	280	100	260	370	400	515	650	160	M36	230	23152K	H3152	FR440x10	2
<b>SD3156</b>	260	790	280	105	280	370	400	550	670	160	M36	260	23156K	H3156	FR460x10	2
<b>SD3160</b>	280	830	310	110	300	403	426	590	710	190	M36	320	23160K	H3160	FR500x10	2
<b>SD3164</b>	300	880	330	115	320	424	448	630	750	200	M36	350	23164K	H3164	FR540x10	2
<b>SD3168</b>	320	965	380	120	340	464	488	670	840	240	M45	550	23168K	H3168	FR580x10	2
<b>SD3172</b>	340	1040	390	130	360	474	498	720	890	255	M50	560	23172K	H3172	FR600x10	2
<b>SD3176</b>	360	1120	400	135	380	500	520	750	980	255	M55	780	23176K	H3176	FR620x10	2
<b>SD3180</b>	380	1245	420	140	400	536	552	790	1050	270	M60	885	23180K	H3180	FR650x10	2

# UBC



## FCM500 CAST IRON HOUSING



Housing No	d	A	E	C	G	L	LS	S	Bearing	Sleeve	Fixing Ring	Qty	Wgt kg
FCM506	25	127	95	90	14	72	82	11	1206K	H/HE206	FR62X7	2	2.3
									2206K	H/HE306	FR62X10	1	
									22206K	H/HE306	FR62X10	1	
FCM507	30	130	100	97	14	75	85	11	1207K	H/HE207	FR72X7	2	2.8
									2207K	H/HE307	FR72X8	1	
									22207K	H/HE307	FR72X8	1	
FCM508	35	136	105	108	14	77	87	11	1208K	H/HE208	FR80X7.5	2	3.2
									2208K	H/HE308	FR80X10	1	
									22208K	H/HE308	FR80X10	1	

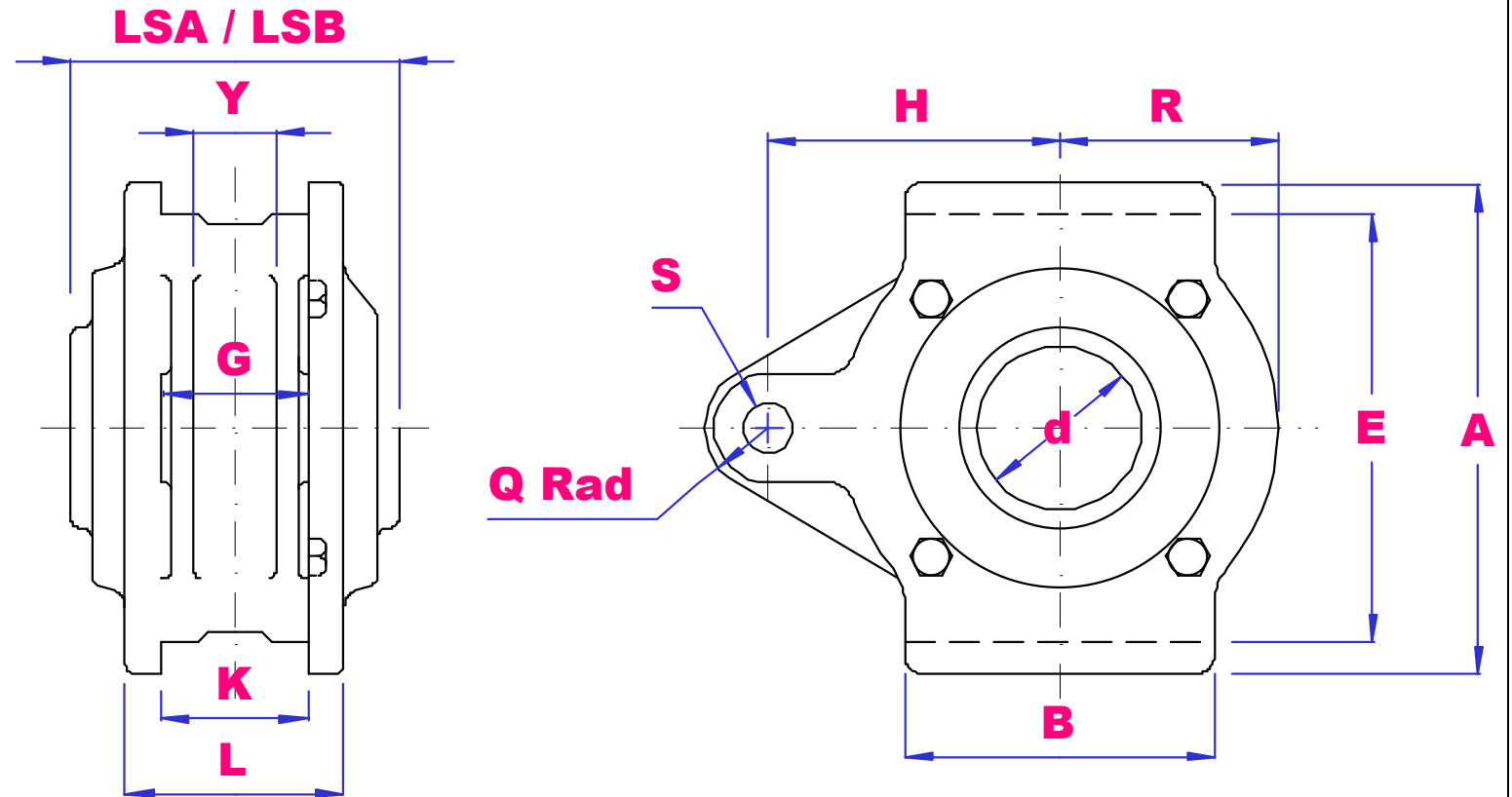
<b>FCM509</b>	40	136	105	113	14	79	89	14	1209K 2209K 22209K	H/HE209 H/HE309 H/HE309	FR85X6 FR85X8 FR85X8	2 1 1	3.2
<b>FCM510</b>	45	142	108	118	15	83	93	14	1210K 2210K 22210K	H/HE210 H/HE310 H/HE310	FR90X6.5 FR90X10 FR90X10	2 1 1	3.7
<b>FCM511</b>	50	160	124	130	15	89	99	18	1211K 2211K 22211K	H/HE211 H/HE311 H/HE311	FR100X6 FR100X8 FR100X8	2 1 1	5.2
<b>FCM512</b>	55	170	130	144	18	93	103	18	1212K 2212K 22212K	H/HE212 H/HE312 H/HE312	FR110X8 FR110X10 FR110X10	2 1 1	6.2
<b>FCM513</b>	60	180	140	154	20	96	106	18	1213K 2213K 22213K	H/HE213 H/HE313 H/HE313	FR120X10 FR120X12 FR120X12	2 1 1	7.6
<b>FCM515</b>	65	188	152	167	20	102	112	18	1215K 2215K 22215K	H/HE215 H/HE315 H/HE315	FR130X8 FR130X10 FR130X10	2 1 1	9.1
<b>FCM516</b>	70	198	152	176	22	107	117	18	1216K 2216K 22216K	H/HE216 H/HE316 H/HE316	FR140X8.5 FR140X10 FR140X10	2 1 1	9.2
<b>FCM517</b>	75	210	170	188	22	111	121	18	1217K 2217K 22217K	H/HE217 H/HE317 H/HE317	FR150X9 FR150X10 FR150X10	2 1 1	12
<b>FCM518</b>	80	210	170	200	22	129.4	144.4	18	1218K 2218K 22218K 23218K	H/HE218 H/HE318 H/HE318 H/HE2318	FR160X17 FR160X12 FR160X12 FR160X11.5	2 2 2 1	15
<b>FCM520</b>	90	250	198	224	25	147	162	22	1220K 2220K 22220K 23220K	H/HE220 H/HE320 H/HE320 H/HE2320	FR180X18 FR180X12 FR180X12 FR180X10	2 2 2 1	20.3
<b>FCM522</b>	100	270	219	246	25	156	171	22	1222K 2222K 22222K 23222K	H/HE222 H/HE322 H/HE322 H/HE2322	FR200X21 FR200X13.5 FR200X13.5 FR200X10.2	2 2 2 1	25.8
<b>FCM524</b>	110	280	230	260	28	165	183	26	22224K 23224K	H/HE3124 H/HE2324	FR215X14 FR215X10	2 1	29
<b>FCM526</b>	115	305	250	284	30	174	192	26	22226K 23226K	H/HE3126 H/HE2326	FR230X13 FR230X10	2 1	35
<b>FCM528</b>	125	330	270	300	30	186	204	26	22228K 23228K	H/HE3128 H/HE2328	FR250X15 FR250X10	2 1	42
<b>FCM530</b>	135	350	290	320	40	183	201	32	22230K 23230K	H/HE3130 H/HE2330	FR270X16.5 FR270X10	2 1	48.4
<b>FCM532</b>	140	370	300	340	42	197	215	32	22232K 23232K	H/HE3132 H/HE2332	FR290X17 FR290X10	2 1	56.4



# UBC



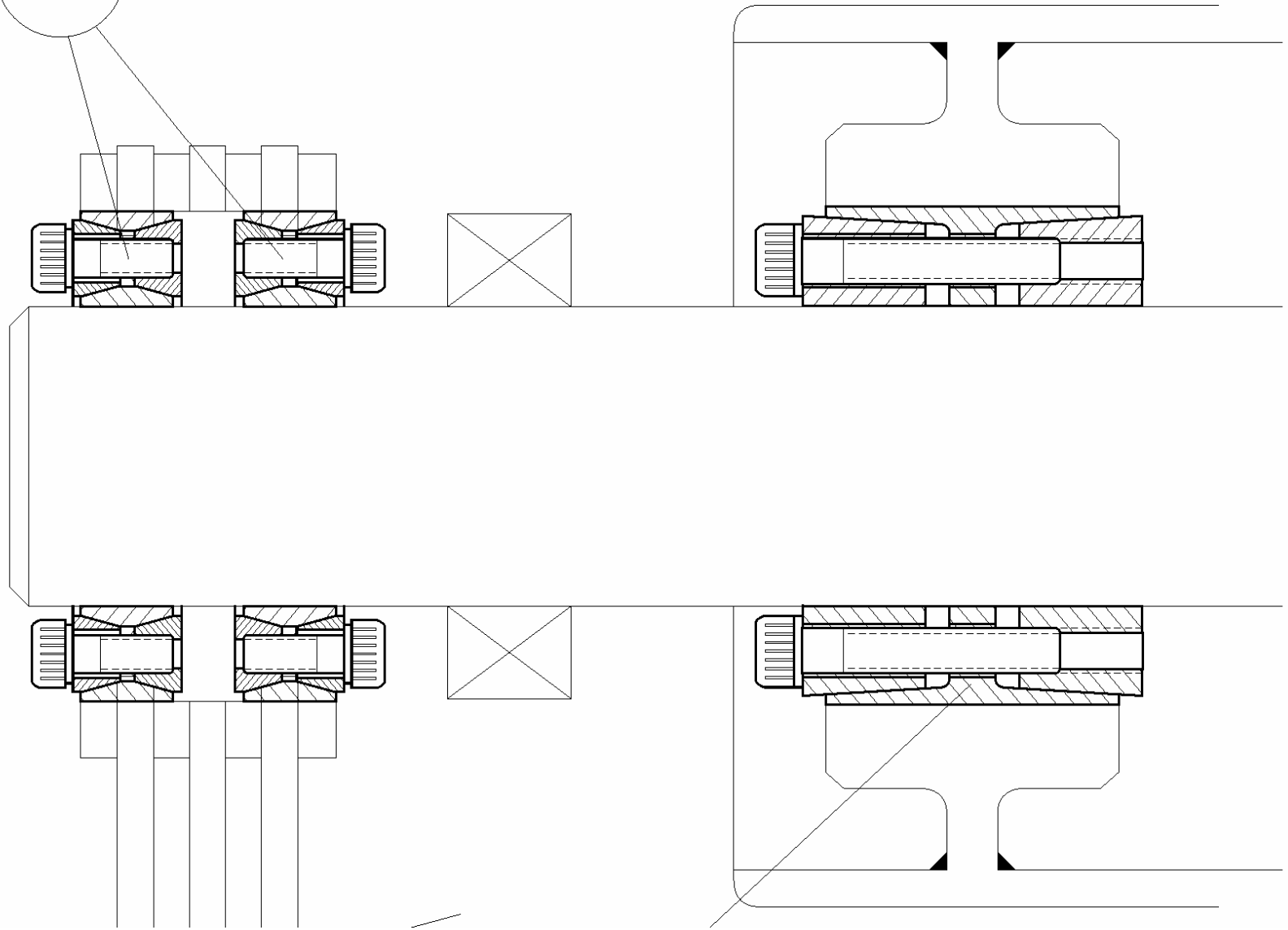
## THM500 CAST IRON HOUSING



PART NO	d	E	K	A	L	H	Y	G	B	Q	R	LS		S	WGT kg	BEARING	SLEEVE	FIXING RING	QTY
												A	B						
THM508	32	104	54	124	74	76	30	51	89	25	56	75	84	21	3.7	1208K	H/HE208	FR80X6.5	2
																2208K	H/HE308	FR80X10	1
																22208K	H/HE308	FR80X10	1
THM509	40	104	54	124	74	76	30	51	89	25	56	75	84	21	3.5	1209K	H/HE209	FR85X6.5	2
																2209K	H/HE309	FR85X10	1
																22209K	H/HE309	FR85X10	1

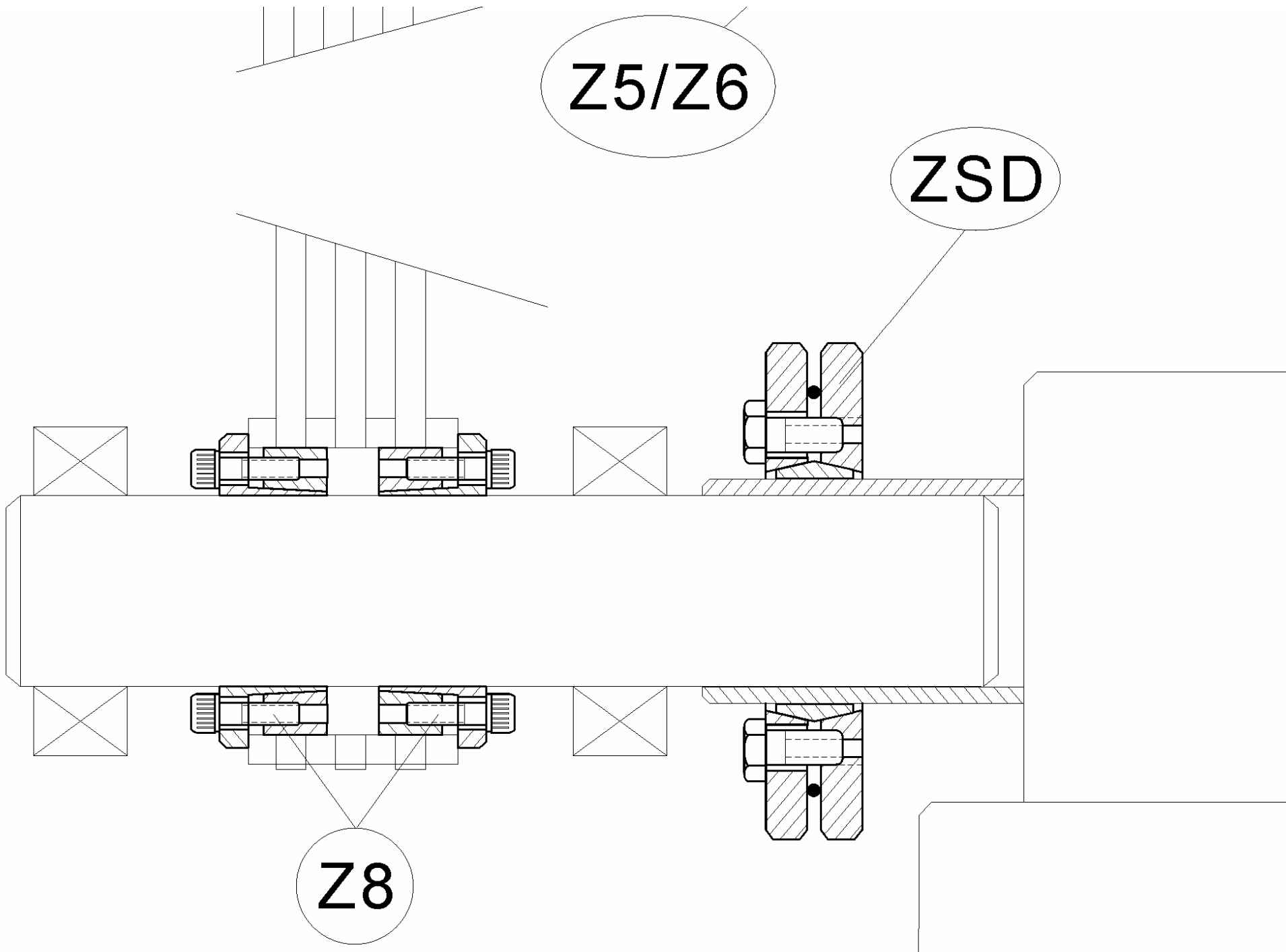
<b>THM510</b>	45	120	53	140	73	90	30	51	100	25	63.5	95	115	21	5.5	1210K 2210K 22210K	H/HE210 H/HE310 H/HE310	FR90X6.5 FR90X10 FR90X10	2 1 1
<b>THM511</b>	50	120	53	140	73	90	30	51	100	25	63.5	95	115	21	4.5	1211K 2211K 22211K	H/HE211 H/HE311 H/HE311	FR100X6 FR100X8 FR100X8	2 1 1
<b>THM512</b>	55	150	67	170	87	110	30	55	115	25	76	105	125	21	7.8	1212K 2212K 22212K	H/HE212 H/HE312 H/HE312	FR110X8 FR110X10 FR110X10	2 1 1
<b>THM513</b>	60	150	67	170	87	110	30	55	115	25	76	105	125	21	7.5	1213K 2213K 22213K	H/HE213 H/HE313 H/HE313	FR120X10 FR120X12 FR120X12	2 1 1
<b>THM515</b>	65	165	67	185	91	120	30	62	115	30	83.5	114	134	21	9.1	1215K 2215K 22215K	H/HE215 H/HE315 H/HE315	FR130X8 FR130X10 FR130X10	2 1 1
<b>THM516</b>	70	195	78	220	102	135	41	73	140	30	93.5	124	144	21	13.5	1216K 2216K 22216K	H/HE216 H/HE316 H/HE316	FR140X8.5 FR140X10 FR140X10	2 1 1
<b>THM517</b>	75	195	78	220	102	135	41	73	140	30	93.5	124	144	21	13.8	1217K 2217K 22217K	H/HE217 H/HE317 H/HE317	FR150X9 FR150X10 FR150X10	2 1 1
<b>THM518</b>	80	195	78	220	105	140	41	73	150	30	98.5	134	164	21	14	1218K 2218K 22218K 23218K	H/HE218 H/HE318 H/HE318 H/HE2318	FR160X17 FR160X12 FR160X12 FR160X11.5	2 2 2 1
<b>THM520</b>	90	210	93	250	123	165	45	87	150	35	112	147	177	25	18	1220K 2220K 22220K 23220K	H/HE220 H/HE320 H/HE320 H/HE2320	FR180X18.1 FR180X12.1 FR180X12.1 FR180X10	2 2 2 1
<b>THM522</b>	100	240	93	280	129	180	45	87	150	40	122	157	187	25	21	1222K 2222K 22222K 23222K	H/HE222 H/HE322 H/HE322 H/HE2322	FR200X21 FR200X13.5 FR200X13.5 FR200X10.2	2 2 2 1
<b>THM524</b>	110	255	97	292	133	200	45	91	209	40	129.5	163	199	36	28	22224K 23224K	H/HE3124 H/HE2324	FR215X14 FR214X10	2 1
<b>THM526</b>	115	270	102	300	142	210	45	91	230	50	137	173	209	40	34	22226K 23226K	H/HE3126 H/HE2326	FR230X13 FR230X10	2 1
<b>THM528</b>	125	305	103	330	143	220	50	96	222	50	149	186	222	40	37.5	22228K 23228K	H/HE3128 H/HE2328	FR250X15 FR250X10	2 1
<b>THM530</b>	135	330	93	370	149	235	51	103	280	55	169	190	226	50	58	22230K 23230K	H/HE3130 H/HE2330	FR270X16.5 FR270X10	2 1
<b>THM532</b>	140	340	93	370	149	235	51	103	280	55	169	190	226	50	55	22232K 23232K	H/HE3132 H/HE2332	FR290X17 FR290X10	2 1

Z2



Z5/Z6

ZSD

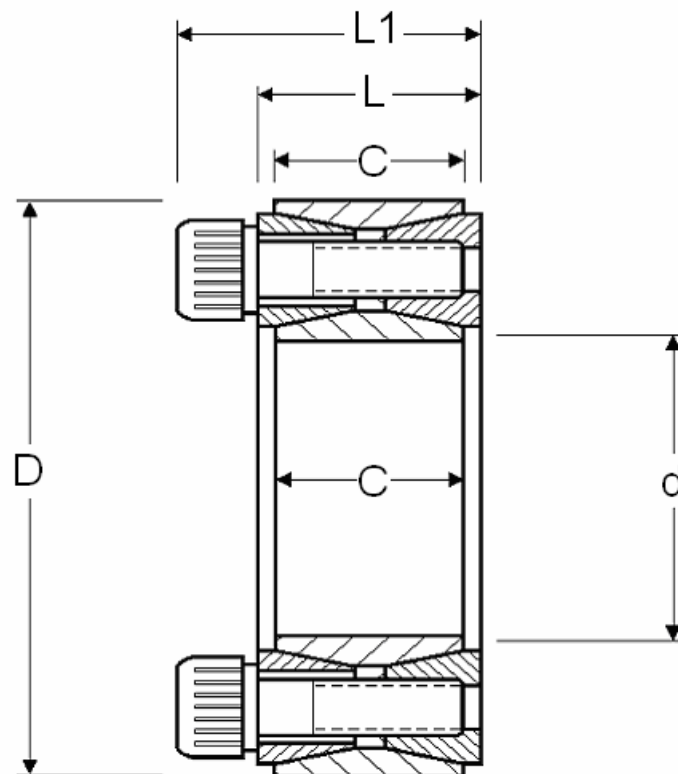


Z8

# Z2 SERIES

## LOCKING ASSEMBLIES

**Ma** = screw tightening torque  
**Ft** = axial holding force when  $Mt=0$   
**Mt** = transmissible torque when  $Ft=0$   
**Pf** = specific pressure on mating shaft and hub



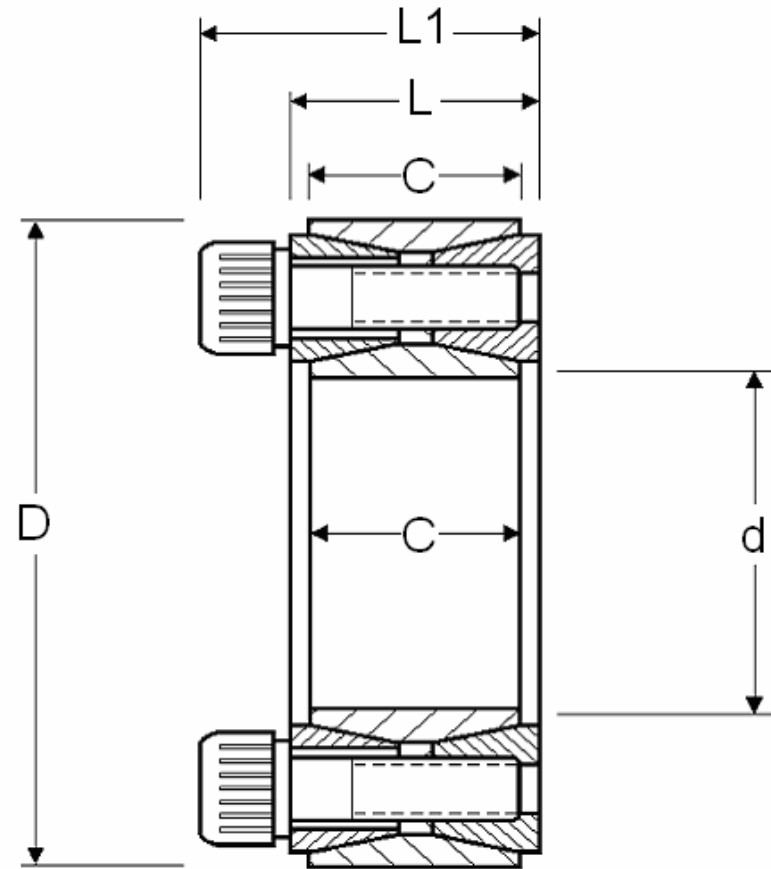
DIMENSIONS						SCREW			CAPACITIES				
Z - Lock number	d	D	C	L	L1	Size	Qty	Ma Nm	Ft kN	Mt kNm	Pf-N/mm2 Shaft hub		Wgt kg
Z2-20X47	20	47	17	20	27.5	M6x18	8	17	32	0.32	255	110	0.24
Z2-25X50	25	50	17	20	27.5	M6x18	9	17	36	0.36	230	116	0.25
Z2-30X55	30	55	17	20	27.5	M6x18	10	17	40	0.60	212	116	0.29
Z2-35X60	35	60	17	20	27.5	M6x18	12	17	48	0.85	219	128	0.32
Z2-38X63	38	63	17	20	27.5	M6x18	14	17	52	0.93	219	134	0.33
Z2-40X65	40	65	17	20	27.5	M6x18	14	17	55	1.10	219	134	0.34
Z2-42X72	42	72	20	24	33.5	M8x22	12	41	81	1.38	228	144	0.48

<b>Z2-45X75</b>	45	75	20	24	33.5	M8x22	12	41	84	1.89	246	147	0.57
<b>Z2-50X80</b>	50	80	20	24	33.5	M8x22	12	41	83	2.06	223	135	0.60
<b>Z2-55X85</b>	55	85	20	24	33.5	M8x22	14	41	97	2.65	234	152	0.63
<b>Z2-60X90</b>	60	90	20	24	33.5	M8x22	14	41	97	2.89	210	140	0.69
<b>Z2-65X95</b>	65	95	20	24	33.5	M8x22	16	41	109	3.56	223	152	0.73
<b>Z2-70X110</b>	70	110	24	28	39.5	M10x25	14	83	156	5.45	249	154	1.26
<b>Z2-75X115</b>	75	115	24	28	39.5	M10x25	14	83	155	5.81	231	148	1.33
<b>Z2-80X120</b>	80	120	24	28	39.5	M10x25	14	83	155	6.15	213	142	1.40
<b>Z2-85X125</b>	85	125	24	28	39.5	M10x25	16	83	175	7.44	231	154	1.49
<b>Z2-90X130</b>	90	130	24	28	39.5	M10x25	16	83	174	7.80	213	148	1.53
<b>Z2-95X135</b>	95	135	24	28	39.5	M10x25	18	83	198	9.35	231	160	1.62
<b>Z2-100X145</b>	100	145	29	33	47	M12x30	14	145	223	11.1	226	157	2.01
<b>Z2-110X155</b>	110	155	29	33	47	M12x30	14	145	221	12.2	209	145	2.15
<b>Z2-120X165</b>	120	165	29	33	47	M12x30	16	145	263	15.2	215	157	2.35
<b>Z2-125X170</b>	125	170	29	33	47	M12x30	18	145	285	18.7	191	142	2.95
<b>Z2-130X180</b>	130	180	34	38	52	M12x35	20	145	315	20.4	191	133	3.51
<b>Z2-140X190</b>	140	190	34	38	52	M12x35	22	145	345	24.2	191	145	3.85
<b>Z2-150X200</b>	150	200	34	38	52	M12x35	24	145	376	28.0	197	145	4.07
<b>Z2-160X210</b>	160	210	34	38	52	M12x35	26	145	406	32.3	197	151	4.30
<b>Z2-170x225</b>	170	225	38	44	60	M14x45	22	230	467	39.7	194	145	5.78
<b>Z2-180x235</b>	180	235	38	44	60	M14x45	24	230	505	45.7	200	151	6.05
<b>Z2-190x250</b>	190	250	46	52	68	M14x45	28	230	591	56.3	182	139	8.25

# Z2 SERIES

## LOCKING ASSEMBLIES

**Ma** = screw tightening torque  
**Ft** = axial holding force when  $Mt=0$   
**Mt** = transmissible torque when  $Ft=0$   
**Pf** = specific pressure on mating shaft and hub



Z - Lock number	DIMENSIONS					SCREWS			CAPACITIES				
	d	D	C	L	L1	Size	Qty	Ma Nm	Ft kN	Mt kNm	Pf-N/mm2 Shaft hub		Wgt kg
<b>Z2-200x260</b>	200	260	46	52	68	M14x45	30	230	630	63.5	182	139	8.65
<b>Z2-220x285</b>	220	285	50	56	74	M16x50	26	355	744	81.7	181	138	11.2
<b>Z2-240x305</b>	240	305	50	56	74	M16x50	30	355	862	103	193	150	12.2
<b>Z2-260x325</b>	260	325	50	56	74	M16x50	34	355	960	124	199	156	13.2
<b>Z2-280x355</b>	280	355	60	66	86.5	M18x60	32	485	1092	153	174	138	19.2

<b>Z2-300x375</b>	300	375	60	66	86.5	M18x60	36	485	1215	183	180	144	20.5
<b>Z2-320x405</b>	320	405	72	78	100.5	M20x70	36	690	1558	249	178	143	29.6
<b>Z2-340x425</b>	340	425	72	78	100.5	M20x70	36	690	1558	266	172	137	31.1
<b>Z2-360x455</b>	360	455	84	90	116	M22x80	36	930	1940	350	173	137	42.2
<b>Z2-380x475</b>	380	475	84	90	116	M22x80	36	930	1935	366	161	131	44
<b>Z2-400x495</b>	400	495	84	90	116	M22x80	36	930	1930	384	155	125	46
<b>Z2-420x515</b>	420	515	84	90	116	M22x80	40	930	2120	445	161	131	50
<b>Z2-440x545</b>	440	545	96	102	130	M24x90	40	1200	2470	545	150	126	64.6
<b>Z2-450x555</b>	450	555	96	102	130	M24x90	40	1200	2460	555	150	124	65
<b>Z2-460x565</b>	460	565	96	102	130	M24x90	40	1200	2450	565	150	120	67.4
<b>Z2-480x585</b>	480	585	96	102	130	M24x90	42	1200	2550	619	150	120	71
<b>Z2-500x605</b>	500	605	96	102	130	M24x90	44	1200	2650	668	150	120	73
<b>Z2-530x640</b>	530	640	96	102	130	M24x90	45	1200	2790	740	145	118	83.6
<b>Z2-560x670</b>	560	670	96	102	130	M24x90	48	1200	2930	816	142	117	85
<b>Z2-600x710</b>	600	710	96	102	130	M24x90	50	1200	3090	930	142	117	91
<b>Z2-630x740</b>	630	740	96	102	130	M24x90	52	1200	3210	1010	140	115	94
<b>Z2-670x780</b>	670	780	96	102	130	M24x90	60	1200	3385	1130	138	112	101
<b>Z2-710x820</b>	710	820	96	102	130	M24x90	62	1200	3565	1260	135	110	106
<b>Z2-750x860</b>	750	860	96	102	130	M24x90	66	1200	3750	1410	135	110	112
<b>Z2-800x910</b>	800	910	96	102	130	M24x90	70	1200	3910	1560	130	108	118
<b>Z2-850x960</b>	850	960	96	102	130	M24x90	70	1200	4200	1785	133	110	125
<b>Z2-900x1010</b>	900	1000	96	102	130	M24x90	75	1200	4410	1980	130	108	132
<b>Z2-950x1060</b>	950	1060	96	102	130	M24x90	80	1200	4650	2205	130	108	139
<b>Z2-1000x1110</b>	1000	1110	96	102	130	M24x90	82	1200	4800	2400	125	107	146



# MINIMUM HUB DIAMETER

<b>Z – Lock Series</b>  <span style="font-size: 2em;"><b>Z2</b></span>	<b>Pf Hub</b> <b>N/mm</b>	<b>YIELD POINT (<math>\sigma_{0.2N/mm^2}</math>)</b>								
		<b>150</b>	<b>180</b>	<b>200</b>	<b>220</b>	<b>250</b>	<b>270</b>	<b>300</b>	<b>350</b>	<b>400</b>
		GG-22	GG-26 GS-38 V2A-S V2A-E	GG-30 V4A-S GTS-35 1020 AS1434	GS-45 ST35 ST37-3 V4A-E 1040 AS1434	GS-52 GS-C25 GGG-40 ST45 1045 AS1434 Gr250 AS3678	C35 ST50-2 X8CrTi17 AlCuNic 1050 AS1434	GS-60 St60-2 C10 GTS-45 Gr300 AS3678	GS-62 St70-2 St52 Gr350 AS3678	GS-70 C60 25CrMo4 Gr400 AS3678
<b>Z2-20X47</b>	110	76	70	68	65	62	62	60	58	56
<b>Z2-25X50</b>	116	84	75	72	70	68	65	64	62	60
<b>Z2-30X55</b>	116	92	84	80	78	74	72	70	68	66
<b>Z2-35X60</b>	128	106	95	90	88	84	82	78	75	74
<b>Z2-38X63</b>	134	120	100	95	92	88	88	82	80	78
<b>Z2-40X65</b>	134	120	106	100	96	92	90	86	82	80
<b>Z2-42X72</b>	144	148	122	110	105	102	100	98	92	88
<b>Z2-45X75</b>	147	148	130	122	115	110	105	102	98	95
<b>Z2-50X80</b>	135	148	135	124	118	112	110	106	102	100
<b>Z2-55X85</b>	152	165	150	140	132	125	122	118	112	108
<b>Z2-60X90</b>	140	170	155	142	135	128	124	120	116	112
<b>Z2-65X95</b>	152	190	168	156	148	140	135	132	125	120
<b>Z2-70X110</b>	154	210	195	182	172	162	158	152	145	140
<b>Z2-75X115</b>	148	228	198	186	176	168	164	158	150	145
<b>Z2-80X120</b>	142	230	202	190	182	172	168	162	155	150
<b>Z2-85X125</b>	154	245	220	208	195	185	180	172	165	160
<b>Z2-90X130</b>	148	258	225	210	200	190	185	178	170	165
<b>Z2-95X135</b>	160	270	245	230	218	205	198	188	180	175

<b>Z2-100X145</b>	157	285	260	245	230	220	210	202	195	185
<b>Z2-110X155</b>	145	305	265	248	238	225	220	210	200	195
<b>Z2-120X165</b>	157	310	298	278	262	248	238	230	220	210
<b>Z2-125X170</b>	142	320	305	280	265	250	240	232	225	220
<b>Z2-130X180</b>	133	328	315	285	272	252	245	240	230	225
<b>Z2-140X190</b>	145	370	325	305	290	275	268	260	250	240
<b>Z2-150X200</b>	145	390	340	320	305	290	280	270	260	250
<b>Z2-160X210</b>	151	410	368	345	328	308	300	290	275	265
<b>Z2-170x225</b>	145	438	382	358	345	325	315	305	295	285
<b>Z2-180x235</b>	151	450	410	385	365	345	335	325	310	300
<b>Z2-190x250</b>	139	468	415	390	375	355	345	335	320	310
<b>Z2-200x260</b>	139	488	430	408	388	370	360	350	335	325
<b>Z2-220x285</b>	138	532	472	445	425	402	392	380	365	355
<b>Z2-240x305</b>	150	570	528	495	470	448	430	415	400	385
<b>Z2-260x325</b>	156	620	580	540	515	482	470	450	430	415
<b>Z2-280x355</b>	138	662	588	552	530	502	490	475	455	445
<b>Z2-300x375</b>	144	725	635	600	570	540	525	510	485	470
<b>Z2-320x405</b>	143	780	682	640	615	580	565	545	525	510
<b>Z2-340x425</b>	137	790	700	660	630	600	585	565	540	525
<b>Z2-360x455</b>	137	845	748	708	675	642	625	605	580	560
<b>Z2-380x475</b>	131	852	760	720	690	658	645	625	600	580
<b>Z2-400x495</b>	125	858	775	735	710	675	660	640	615	600
<b>Z2-420x515</b>	131	925	826	780	750	715	700	675	650	630
<b>Z2-440x545</b>	126	950	852	815	780	742	725	705	665	660
<b>Z2-450x555</b>	124	955	860	820	790	755	735	715	680	670
<b>Z2-460x565</b>	120	960	865	825	800	765	745	725	695	680
<b>Z2-480x585</b>	120	990	896	855	825	790	770	750	720	705
<b>Z2-500x605</b>	120	1025	930	885	855	820	795	775	745	730

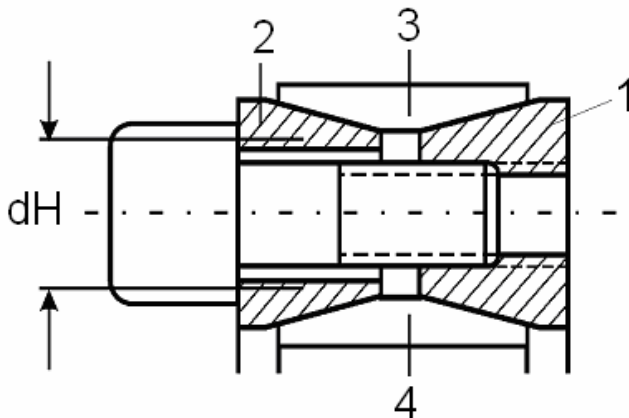
# Z2

## FITTING AND REMOVAL OF Z-LOCK LOCKING ASSEMBLY

### Fitting:

1. All contact surfaces, including threads and heads of locking screws, have to be clean and covered with an oil film. Shaft, Hub and Locking Assembly are to be assembled in this condition.
2. Tighten locking screws lightly and position hub.
3. Tighten locking screws evenly crosswise up to the nominated torque (tighten in 2-3 stages).
4. Re-check the tightening torque of the locking screws all the way round. When no screw can be tightened further with the torque wrench set to the tightening torque  $M_a$ , the fitting process is completed.

**Note:** Used Locking Assemblies, prior to fitting, must be cleaned and lightly oiled, then re-assembled as shown in **Figure 1**. The cadmium plated screws are to be placed through tapped holes of front thrust ring (see dH).

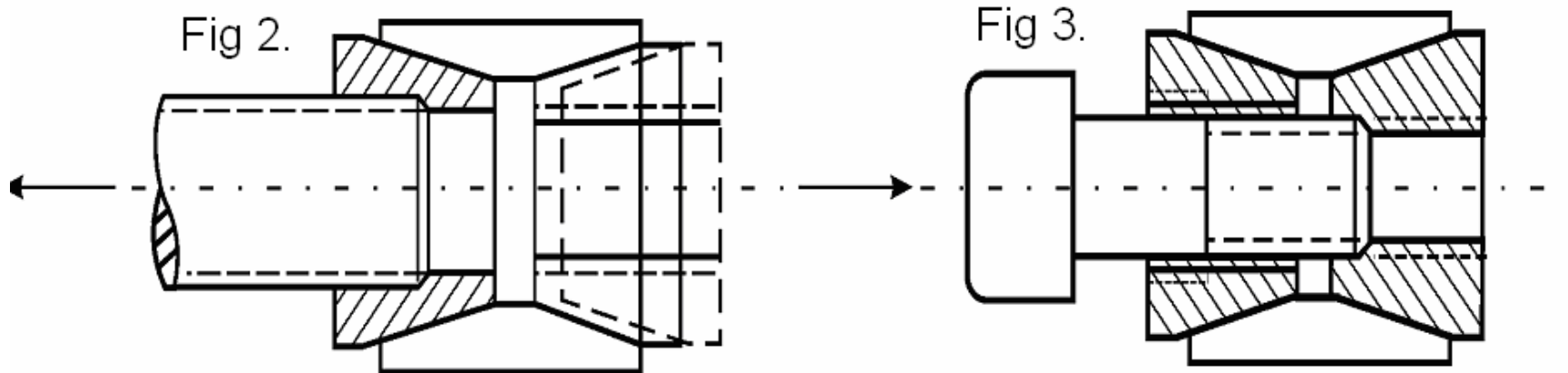


**Fig,1**

- 1 = Rear thrust ring
- 2 = Front thrust ring
- 3 = Outer ring
- 4 = Inner ring

## Removal:

1. Loosen all screws crosswise several turns.
2. Now the loosened connection can be dis-assembled. If necessary, the front and rear thrust ring can be dis-assembled as shown in **Figures 2 and 3.**



## Tightening Torques

for screws Gr. 12.9 DIN 912

Screw	M6	M8	M10	M12	M14	M16	M18	M20	M22	M24
Torque Ma(Nm)	17	41	83	145	230	355	485	690	930	1200
dH	M8	M10	M12	M16	M18	M20	M22	M24	M27	M30

# Z5 SERIES

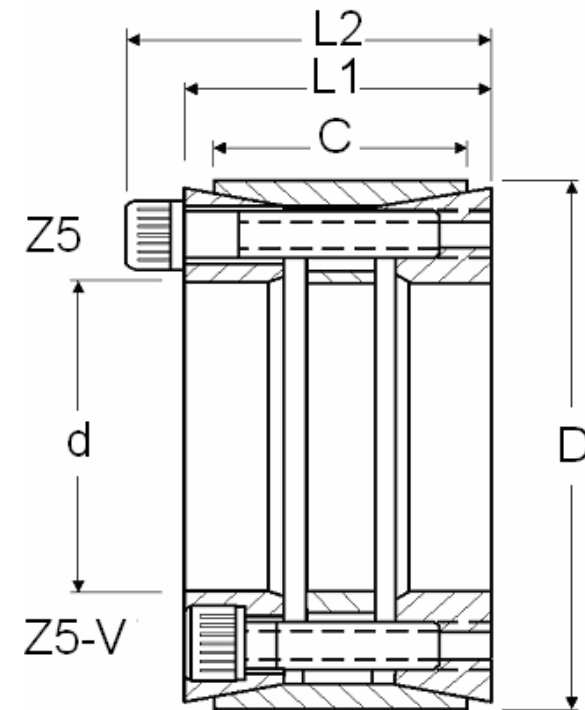
## LOCKING ASSEMBLIES

Ma = screw tightening torque

Ft = axial holding force when Mt=0

Mt = transmissible torque when Ft=0

Pf = specific pressure on mating shaft and hub



Z – Lock number	DIMENSIONS					SCREWS			CAPACITIES				
	d	D	C	L1	L2	Size	Qty	Ma Nm	Ft kN	Mt kNm	Pf-N/mm2 Shaft	hub	Wgt kg
<b>Z5-100X145</b>	100	145	60	65	77	M12X50	10	145	372	18.6	205	126	4.1
<b>Z5-110X155</b>	110	155	60	65	77	M12X50	10	145	372	20.5	187	118	4.4
<b>Z5-120X165</b>	120	165	60	65	77	M12X50	12	145	408	24.5	188	122	4.8
<b>Z5-130X180</b>	130	180	68	74	86	M12X60	15	145	520	33.8	197	128	6.5
<b>Z5-140X190</b>	140	190	68	74	86	M12X60	18	145	557	39.1	196	130	7.0
<b>Z5-150X200</b>	150	200	68	74	86	M12X60	18	145	557	41.8	183	123	7.4
<b>Z5-160X210</b>	160	210	68	74	86	M12X60	21	145	593	47.5	183	125	7.8
<b>Z5-170X225</b>	170	225	75	81	95	M14X65	18	230	764	64.9	193	133	10.0
<b>Z5-180X235</b>	180	235	75	81	95	M14X65	18	230	777	83.0	182	127	10.6
<b>Z5-190X250</b>	190	250	88	94	108	M14X65	20	230	815	88.0	163	103	14.3
<b>Z5-200X260</b>	200	260	88	94	108	M14X65	24	230	1020	105	194	124	15.0

<b>Z5-200X260V</b>	200	260	88	94	94	M12X70	24	145	763	76.3	156	101	14.8
<b>Z5-210X275</b>	210	275	98	104	120	M16X90	18	355	1060	110	185	120	17.5
<b>Z5-220X285</b>	220	285	98	104	120	M16X90	18	355	1070	117	174	113	19.8
<b>Z5-240X305</b>	240	305	98	104	120	M16X90	24	355	1410	170	212	140	21.4
<b>Z5-250X315</b>	250	315	98	104	120	M16X90	24	355	1460	181	209	138	22.0
<b>Z5-260X325</b>	260	325	98	104	120	M16X90	25	355	1480	193	205	138	23.0
<b>Z5-280X355</b>	280	355	120	126	144	M18X110	24	485	1650	232	213	141	35.2
<b>Z5-280X355V</b>	280	355	120	126	126	M16X100	24	355	1429	200	170	112	35.0
<b>Z5-300X375</b>	300	375	120	126	144	M18X110	25	485	1660	249	198	134	37.4
<b>Z5-300X375V</b>	300	375	120	126	126	M16X100	24	355	1483	222	159	107	37.0
<b>Z5-320X405</b>	320	405	135	142	162	M20X120	25	690	2170	354	191	125	51.3
<b>Z5-320X405V</b>	320	405	135	142	142	M18X110	24	485	1840	295	153	100	51.0
<b>Z5-340X425</b>	340	425	135	142	162	M20X120	25	690	2210	376	180	119	54.1
<b>Z5-340X425V</b>	340	425	135	142	142	M18X110	24	485	1840	313	144	96	53.8
<b>Z5-360X455</b>	360	455	158	165	187	M22X130	25	690	2680	496	185	118	74.4
<b>Z5-380X475</b>	380	475	158	165	187	M22X130	25	930	2750	524	175	113	79.0
<b>Z5-380X475V</b>	380	475	158	165	165	M20X120	24	690	2378	452	140	90	78.5
<b>Z5-400X495</b>	400	495	158	165	187	M22X130	25	930	3010	602	183	122	82.8
<b>Z5-420X515</b>	420	515	158	165	187	M22X130	30	930	3300	694	190	127	86.5
<b>Z5-440X535</b>	440	535	158	165	187	M22X130	30	930	3300	728	166	123	109
<b>Z5-450X555</b>	450	555	172	180	204	M24X150	30	1200	3700	832	159	120	112
<b>Z5-460X555</b>	460	555	172	180	204	M24X150	32	1200	3700	832	159	118	115
<b>Z5-480X585</b>	480	585	172	180	204	M24X150	32	1200	3950	948	159	119	119
<b>Z5-500X605</b>	500	605	172	180	204	M24X150	32	1200	3950	988	153	115	123
<b>Z5-530X640</b>	530	640	190	200	227	M27X160	30	1600	4320	1145	164	120	151
<b>Z5-560X670</b>	560	670	190	200	227	M27X160	30	1600	4320	1210	163	121	160
<b>Z5-600X710</b>	600	710	190	200	227	M27X160	32	1600	4320	1380	153	118	170

# MINIMUM HUB DIAMETER

<b>Z – Lock series</b>  <span style="font-size: 2em;"><b>Z5</b></span>	<b>Pf Hub</b> <b>N/mm</b>	<b>YIELD POINT (<math>\sigma_{0.2N/mm^2}</math>)</b>								
		<b>150</b>	<b>180</b>	<b>200</b>	<b>220</b>	<b>250</b>	<b>270</b>	<b>300</b>	<b>350</b>	<b>400</b>
		GG-22	GG-26 GS-38 V2A-S V2A-E	GG-30 V4A-S GTS-35 1020 AS1434	GS-45 ST35 ST37-3 V4A-E 1040 AS1434	GS-52 GS-C25 GGG-40 ST45 1045 AS1434 Gr250 AS3678	C35 ST50-2 X8CrTi17 AlCuNic 1050 AS1434	GS-60 St60-2 C10 GTS-45 Gr300 AS3678	GS-62 St70-2 St52 Gr350 AS3678	GS-70 C60 25CrMo4 Gr400 AS3678
<b>Z5-100x145</b>	126	481	340	300	280	250	240	226	219	201
<b>Z5-110x155</b>	118	485	350	310	285	260	250	237	222	212
<b>Z5-120x165</b>	122	495	370	345	305	285	272	264	239	230
<b>Z5-130x180</b>	128	673	450	395	355	320	304	290	270	255
<b>Z5-140x190</b>	130	710	475	415	375	340	321	302	281	266
<b>Z5-150x200</b>	123	765	480	420	385	350	330	315	290	280
<b>Z5-160x210</b>	125	710	495	440	400	365	350	330	305	295
<b>Z5-170x225</b>	133	795	595	520	460	415	390	365	340	317
<b>Z5-180x235</b>	127	880	595	520	470	420	400	375	350	330
<b>Z5-190x250</b>	103	890	580	435	420	390	380	360	340	330
<b>Z5-200x260</b>	124	920	615	540	500	450	430	405	380	360
<b>Z5-200x260V</b>	101	780	490	450	405	365	345	325	305	290
<b>Z5-210x275</b>	120	940	610	540	505	460	445	420	400	380
<b>Z5-220x285</b>	113	950	610	550	510	470	450	430	405	385
<b>Z5-240x305</b>	140	1780	865	730	650	575	545	506	470	435
<b>Z5-250x315</b>	138	1820	910	765	680	590	570	530	490	460

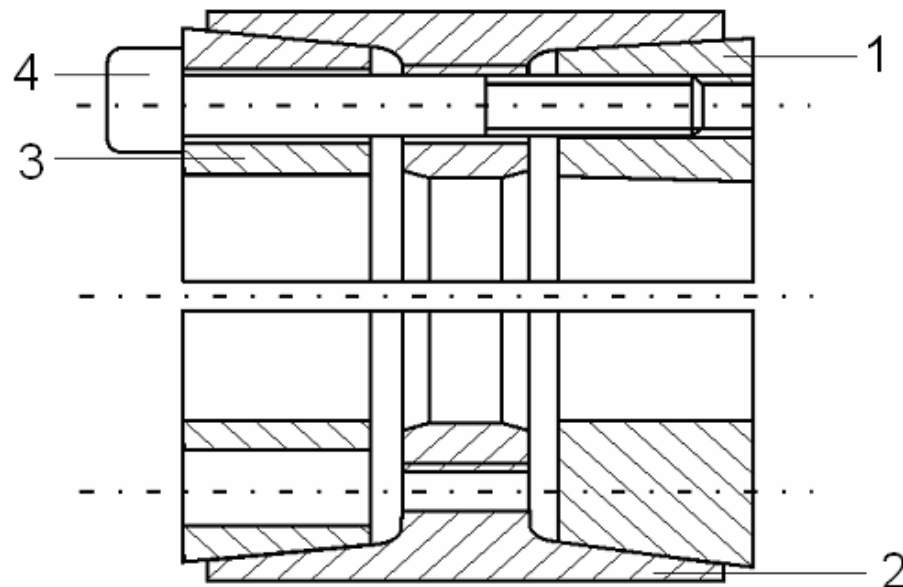
<b>Z5-260x325</b>	138	1895	920	775	690	610	580	540	500	470
<b>Z5-280x355</b>	141	2070	1015	520	755	670	635	590	545	505
<b>Z5-280x355V</b>	112	1600	820	420	605	540	510	475	436	405
<b>Z5-300x375</b>	134	1650	995	855	765	690	650	610	565	530
<b>Z5-300x375V</b>	107	1300	800	710	620	560	520	490	450	430
<b>Z5-320x405</b>	125	1350	960	850	775	700	670	630	590	565
<b>Z5-320x405V</b>	100	1120	790	720	725	560	540	505	475	455
<b>Z5-340x425</b>	119	1280	960	850	785	720	685	650	610	585
<b>Z5-340x425V</b>	96	1020	800	720	735	580	550	520	490	470
<b>Z5-360x455</b>	118	1365	1020	910	840	770	735	700	650	625
<b>Z5-380x475</b>	113	1310	1010	920	850	780	750	715	670	640
<b>Z5-380x475V</b>	90	1020	815	760	680	625	600	575	540	515
<b>Z5-400x495</b>	122	1650	1170	990	910	860	820	775	720	690
<b>Z5-420x515</b>	127	1950	1285	1130	1015	920	870	820	765	725
<b>Z5-440x535</b>	123	1780	1260	1150	1025	925	890	835	780	750
<b>Z5-450x555</b>	120	1700	1250	1120	1025	935	900	850	800	760
<b>Z5-460x555</b>	118	1700	1250	1120	1030	940	900	850	800	760
<b>Z5-480x585</b>	119	1745	1310	1180	1090	990	950	895	850	810
<b>Z5-500x605</b>	115	1680	1330	1190	1100	1010	965	905	865	815
<b>Z5-530x640</b>	120	1950	1420	1280	1170	1080	1020	980	910	870
<b>Z5-560x670</b>	121	2210	1510	1340	1240	1150	1090	1040	970	940
<b>Z5-600x710</b>	118	2220	1580	1420	1310	1240	1150	1080	1010	980



# **Z5-Z6** FITTING AND REMOVAL OF Z-LOCK LOCKING ASSEMBLIES

## **Fitting:**

1. All contact surfaces, including the threads and heads of locking screws, have to be clean and are covered with an oil film. Shaft, hub and Locking Assembly are to be assembled in this condition.
2. Unscrew all locking screws several turns and screw at least three screws into the threads of Parts 2 and 3, so that they press against the stop and hold Parts 1 and 3 away from Part 2.
3. Place locking assembly in hub bore. Take screws from the jacking screw holes in Part 3 and screw back into the threaded holes of Part 1.
4. Tighten screws evenly to the given torque  $M_a$ , crosswise covering the circumference several times. (Tighten the screws on both sides of the slot one after the other). When no screw can be tightened any further with the torque wrench set to the tightening torque  $M_a$ , the fitting process is complete.



**Fig 1**

**1** = Back thrust ring

**2** = Internal bush

**3** = Front thrust ring

**4** = Locking screws

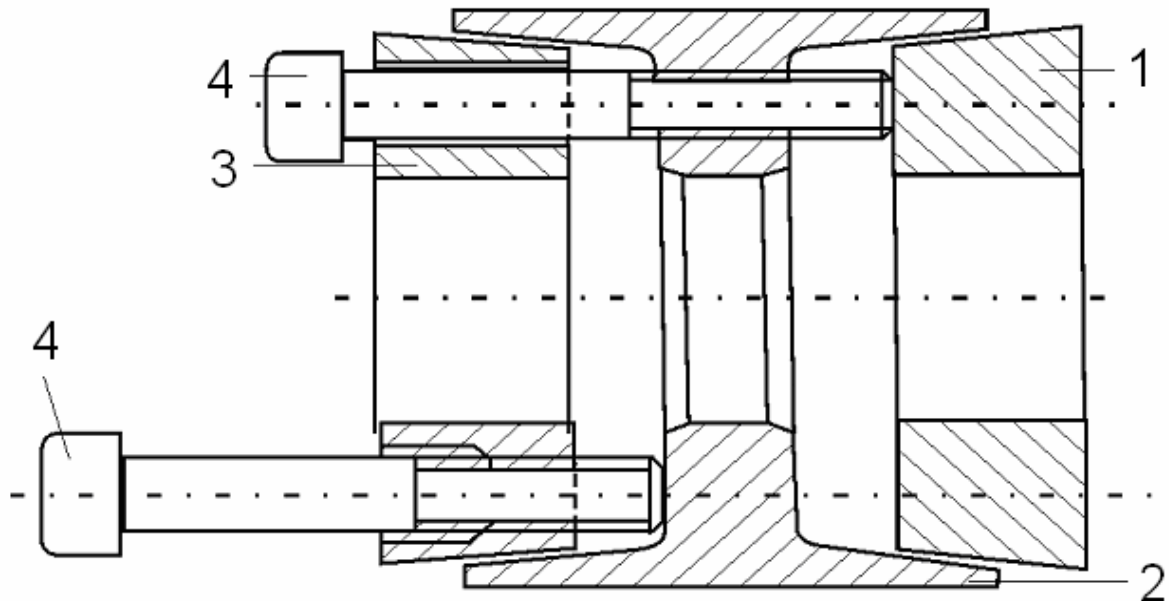
DIN 912 12.9

## **Note:**

Used locking assemblies, prior to fitting, must be cleaned and lightly oiled, then re-assembled as shown in figure 1. On assembly, ensure that both front and back thrust rings and also internal bush have correct orientation, ie: all threaded holes in back thrust ring are opposite through holes in the web of the internal bush and front thrust ring.

## **Removal:**

1. Loosen all screws several turns.
2. Insert screws into all jacking screw holes in the front thrust ring and the web of the internal bush, which are screwed out of the back thrust ring.
3. Tighten the screws in the jacking screw holes evenly (the screws on both sides of the slot one after the other), the assembly is then loosened.



**Fig 2**

1 = Back thrust ring

2 = Internal bush

3 = Front thrust ring

4 = Locking screws

DIN 912 12.9

# Z6 SERIES

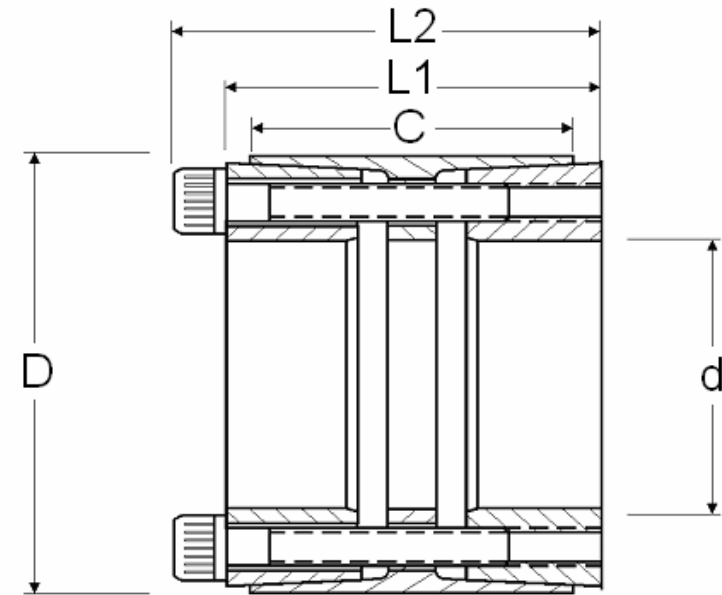
## LOCKING ASSEMBLIES

**Ma** = screw tightening torque

**Ft** = axial holding force when  $Mt=0$

**Mt** = transmissible torque when  $Ft=0$

**Pf** = specific pressure on mating shaft and hub



DIMENSIONS						SCREW			CAPACITIES				
Z – Lock number	d	D	C	L1	L2	Size	Qty	Ma Nm	Ft kN	Mt kNm	Pf-N/mm <sup>2</sup> shaft hub		Wgt kg
Z6-25X55	25	55	32	40	46	M6X35	6	17	67	0.84	297	101	0.47
Z6-28X55	28	55	32	40	46	M6X35	6	17	67	0.94	265	101	0.44
Z6-30X55	30	55	32	40	46	M6X35	6	17	67	1.00	248	101	0.42
Z6-35X60	35	60	44	54	60	M6X45	7	17	74	1.30	165	87	1.00
Z6-40X75	40	75	44	54	62	M8X50	7	41	145	2.90	282	116	1.10
Z6-45X75	45	75	44	54	62	M8X50	7	41	145	3.26	251	116	1.20
Z6-50X80	50	80	56	64	72	M8X50	8	41	166	4.15	200	98	1.40
Z6-55X85	55	85	56	64	72	M8X50	9	41	186	5.15	205	104	1.60
Z6-60X90	60	90	56	64	72	M8X50	10	41	207	6.20	202	106	1.70
Z6-65X95	65	95	56	64	72	M8X50	10	41	207	6.75	187	100	1.90
Z6-70X110	70	110	70	78	88	M10X60	10	83	329	11.5	223	114	3.10
Z6-80X120	80	120	70	78	88	M10X60	11	83	362	14.5	215	115	3.50
Z6-90X130	90	130	70	78	88	M10X60	12	83	390	17.8	208	115	3.80
Z6-95X135	95	135	70	78	88	M10X60	12	83	435	19.7	197	107	4.20
Z6-100X145	100	145	90	100	112	M12X80	14	145	527	26.3	200	107	6.10

<b>Z6-110X155</b>	110	155	90	100	112	M12X80	14	145	575	31.8	198	110	6.60
<b>Z6-120X165</b>	120	165	90	100	112	M12X80	18	145	670	40.4	212	120	7.20
<b>Z6-130X180</b>	130	180	104	116	130	M14X90	16	230	789	51.6	192	112	10.0
<b>Z6-140X190</b>	140	190	104	116	130	M14X90	18	230	920	64.7	208	124	10.6
<b>Z6-150X200</b>	150	200	104	116	130	M14X90	19	230	966	74.2	208	127	11.3
<b>Z6-160X210</b>	160	210	104	116	130	M14X90	20	230	1050	84.5	208	128	11.9
<b>Z6-170X225</b>	170	225	134	146	162	M16X110	19	355	1280	106.2	182	113	18.0
<b>Z6-180X235</b>	180	235	134	146	162	M16X110	20	355	1370	123.2	184	115	18.8
<b>Z6-190X250</b>	190	250	134	146	162	M16X110	21	355	1460	133.8	186	116	21.9
<b>Z6-200X260</b>	200	260	134	146	162	M16X110	22	355	1460	146.0	177	112	23.0
<b>Z6-220X285</b>	220	285	134	146	162	M16X110	24	355	1640	181.0	188	115	27.0
<b>Z6-240X305</b>	240	305	134	146	162	M16X110	26	355	1820	218.0	184	119	29.2
<b>Z6-260X325</b>	260	325	134	146	162	M16X110	28	355	1920	280.0	178	117	31.5
<b>Z6-280X355</b>	280	355	165	177	197	M20X130	24	690	2550	360.0	185	117	48.0
<b>Z6-300X375</b>	300	375	165	177	197	M20X130	25	690	2850	428.0	192	123	51.0
<b>Z6-320X405</b>	320	405	165	177	197	M20X130	28	690	3000	480.0	188	119	62.0
<b>Z6-340X425</b>	340	425	165	177	197	M20X130	29	690	3140	534.0	186	119	66.0
<b>Z6-360X455</b>	360	455	190	202	224	M22X150	28	930	3730	670.0	176	115	91.0
<b>Z6-380X475</b>	380	475	190	202	224	M22X150	30	930	3900	742.0	175	115	95.0
<b>Z6-400X495</b>	400	495	190	202	224	M22X150	31	930	4260	852.0	181	120	100
<b>Z6-420X515</b>	420	515	190	202	224	M22X150	32	930	4260	894.0	173	116	104
<b>Z6-440X535</b>	440	535	190	202	224	M22X150	24	930	4260	937.0	165	112	109
<b>Z6-460X555</b>	460	555	190	202	224	M22X150	24	930	4260	980.0	158	107	113
<b>Z6-480X575</b>	480	575	190	202	224	M22X150	28	930	5040	1200	176	121	118
<b>Z6-500X595</b>	500	595	190	202	224	M22X150	28	930	5040	1240	169	117	122
<b>Z6-520X615</b>	520	615	190	202	224	M22X150	30	930	5400	1390	174	121	126
<b>Z6-540X635</b>	540	635	190	202	224	M22X150	30	930	5400	1430	172	126	132
<b>Z6-560X655</b>	560	655	190	202	224	M22X150	32	930	5760	1610	179	122	139
<b>Z6-580X675</b>	580	675	190	202	224	M22X150	33	930	5760	1670	173	131	147
<b>Z6-600X695</b>	600	695	190	202	224	M22X150	33	930	5940	1780	173	127	158

## MINIMUM HUB DIAMETER

<b>Z – Lock series</b>  <span style="font-size: 2em;"><b>Z6</b></span>	<b>Pf Hub N/mm</b>	<b>YIELD POINT (<math>\sigma_{0.2N/mm^2}</math>)</b>								
		<b>150</b>	<b>180</b>	<b>200</b>	<b>220</b>	<b>250</b>	<b>270</b>	<b>300</b>	<b>350</b>	<b>400</b>
		GG-22	GG-26 GS-38 V2A-S V2A-E	GG-30 V4A-S GTS-35 1020 AS1434	GS-45 ST35 ST37-3 V4A-E 1040 AS1434	GS-52 GS-C25 GGG-40 ST45 1045 AS1434 Gr250 AS3678	C35 ST50-2 X8CrTi17 AlCuNic 1050 AS1434	GS-60 St60-2 C10 GTS-45 Gr300 AS3678	GS-62 St70-2 St52 Gr350 AS3678	GS-70 C60 25CrMo4 Gr400 AS3678
<b>Z6-25X55</b>	101	110	95	90	85	80	78	75	71	70
<b>Z6-28X55</b>	101	110	95	90	85	80	78	75	71	70
<b>Z6-30X55</b>	101	110	95	90	85	80	78	75	71	70
<b>Z6-35X60</b>	87	122	105	100	95	90	88	85	80	76
<b>Z6-40X75</b>	146	570	230	190	166	150	140	130	116	110
<b>Z6-45X75</b>	146	570	230	190	166	150	140	130	116	110
<b>Z6-50X80</b>	98	175	150	140	130	122	120	112	106	103
<b>Z6-55X85</b>	104	205	160	155	145	135	130	125	116	111
<b>Z6-60X90</b>	106	220	180	165	150	145	140	130	123	118
<b>Z6-65X95</b>	100	215	180	165	155	145	141	135	130	125
<b>Z6-70x110</b>	114	305	235	215	200	180	175	165	155	150
<b>Z6-80x120</b>	115	330	260	235	215	200	190	180	170	165
<b>Z6-90x130</b>	115	360	280	250	235	215	210	195	185	180
<b>Z6-95x135</b>	107	360	285	265	250	230	220	210	200	195
<b>Z6-100x145</b>	107	360	285	265	250	230	220	210	200	195
<b>Z6-110x155</b>	110	395	315	290	270	250	240	230	215	210
<b>Z6-120x165</b>	120	495	370	330	305	280	270	255	240	230
<b>Z6-130x180</b>	112	475	375	340	315	295	280	270	255	245

<b>Z6-140x190</b>	124	620	445	400	360	330	315	295	275	265
<b>Z6-150x200</b>	127	700	485	430	390	350	335	315	295	280
<b>Z6-160x210</b>	128	740	510	445	405	370	355	330	310	295
<b>Z6-170x225</b>	113	610	470	430	400	365	355	335	315	305
<b>Z6-180x235</b>	115	650	500	455	425	390	375	355	335	320
<b>Z6-190x250</b>	116	700	540	490	450	415	400	380	355	340
<b>Z6-200x260</b>	112	685	540	500	455	420	405	385	365	350
<b>Z6-220x285</b>	115	785	610	550	510	470	450	430	405	385
<b>Z6-240x305</b>	119	900	677	605	560	515	490	470	440	420
<b>Z6-260x325</b>	117	930	710	640	590	540	520	490	460	445
<b>Z6-280x355</b>	117	1010	775	695	645	590	565	540	505	485
<b>Z6-300x375</b>	123	1195	865	775	705	645	615	585	540	520
<b>Z6-320x405</b>	119	1195	890	805	740	680	650	620	575	550
<b>Z6-340x425</b>	119	1260	945	845	780	715	680	650	605	580
<b>Z6-360x455</b>	115	1260	970	880	815	750	720	685	645	615
<b>Z6-380x475</b>	115	1310	1015	920	850	780	755	715	670	645
<b>Z6-400x495</b>	120	1485	1110	990	915	840	800	760	710	680
<b>Z6-420x515</b>	116	1450	1110	1010	930	850	820	780	735	700
<b>Z6-440x535</b>	112	1410	1110	1015	940	870	835	795	745	720
<b>Z6-460x555</b>	107	1360	1100	1010	945	880	845	805	760	735
<b>Z6-480x575</b>	121	1795	1315	1165	1070	980	935	890	830	795
<b>Z6-500x595</b>	117	1700	1300	1170	1080	990	950	900	845	810
<b>Z6-520x615</b>	121	1920	1405	1250	1150	1050	1000	950	890	850
<b>Z6-540x635</b>	126	1810	1380	1250	1150	1055	1010	960	905	870
<b>Z6-560x655</b>	122	2050	1495	1330	1220	1115	1070	1010	950	905
<b>Z6-580x675</b>	131	2110	1540	1365	1260	1150	1095	1040	975	935
<b>Z6-600x695</b>	127	2120	1530	1380	1265	1165	1115	1060	990	945

# Z8 SERIES

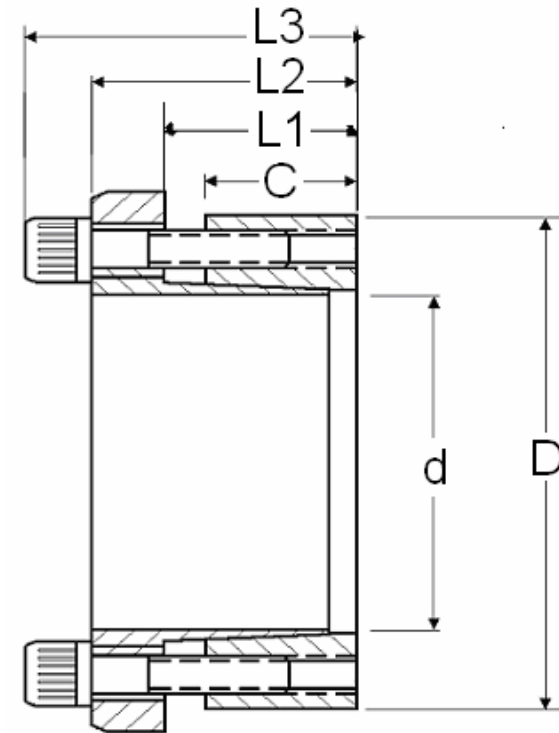
## LOCKING ASSEMBLIES

**Ma** = screw tightening torque

**Ft** = axial holding force when  $Mt=0$

**Mt** = transmissible torque when  $Ft=0$

**Pf** = specific pressure on mating shaft and hub



DIMENSIONS							SCREWS			CAPACITIES				
Z - Lock number	d	D	C	L1	L2	L3	Size	Qty	Ma Nm	Ft kN	Mt kNm	Pf-N/mm2 Shaft	hub	Wgt kg
Z8-20X47	20	47	17	22	28	34	M6x20	5	17	28	0.28	219	95	0.28
Z8-24X50	24	50	17	22	28	34	M6x20	5	17	28	0.34	185	95	0.30
Z8-25X50	25	50	17	22	28	34	M6x20	6	17	34	0.42	210	110	0.31
Z8-28X55	28	55	17	22	28	34	M6x20	6	17	33	0.47	187	100	0.35
Z8-30X55	30	55	17	22	28	34	M6x20	6	17	33	0.50	174	100	0.36
Z8-35X60	35	60	17	22	28	34	M6x20	8	17	45	0.78	199	110	0.39
Z8-38x63	38	63	17	22	28	34	M6x20	8	17	45	0.84	188	108	0.41
Z8-40X65	40	65	17	22	28	34	M6x20	8	17	45	0.90	176	105	0.45
Z8-45X75	45	75	20	25	33	41	M8x25	7	41	72	1.60	214	135	0.70
Z8-50X80	50	80	20	25	34	42	M8x25	7	41	72	1.80	213	130	0.80
Z8-55X85	55	85	20	25	34	42	M8x25	8	41	83	2.25	222	135	0.85
Z8-60X90	60	90	20	25	34	42	M8x25	8	41	83	2.47	203	125	0.90

<b>Z8-65X95</b>	65	95	20	25	34	42	M8x25	9	41	93	3.02	205	135	0.96
<b>Z8-70X110</b>	70	110	24	30	42	52	M10x30	8	83	131	4.60	227	140	1.70
<b>Z8-75X115</b>	75	115	24	30	42	52	M10x30	8	83	131	4.90	212	130	1.82
<b>Z8-80X120</b>	80	120	24	30	42	52	M10x30	8	83	131	5.25	198	125	1.92
<b>Z8-85X125</b>	85	125	24	30	42	52	M10x30	9	83	148	6.30	210	135	1.96
<b>Z8-90X130</b>	90	130	24	30	42	52	M10x30	9	83	148	6.65	198	130	2.10
<b>Z8-95X135</b>	95	135	24	30	42	52	M10x30	10	83	164	7.80	209	140	2.20
<b>Z8-100X145</b>	100	145	26	32	46	58	M12x35	8	145	215	10.75	229	145	2.90
<b>Z8-105X150</b>	105	150	26	32	46	58	M12X35	8	145	215	11.15	221	140	3.05
<b>Z8-110X155</b>	110	155	26	32	46	58	M12x35	8	145	215	11.85	208	135	3.20
<b>Z8-120X165</b>	120	165	26	32	46	58	M12x35	9	145	215	12.90	191	140	3.40
<b>Z8-125X170</b>	125	170	26	32	46	58	M12X35	9	145	215	15.85	189	135	4.15
<b>Z8-130X180</b>	130	180	34	40	52	64	M12x40	12	145	308	19.90	190	140	4.60
<b>Z8-140X190</b>	140	190	34	40	57	71	M14x40	9	230	296	20.90	181	120	5.40
<b>Z8-150X200</b>	150	200	34	40	57	71	M14x40	10	230	328	24.60	187	120	5.70
<b>Z8-160X210</b>	160	210	34	40	57	71	M14x40	11	230	361	28.95	193	130	6.00
<b>Z8-170X225</b>	170	225	44	50	64	78	M14x40	12	230	394	33.55	150	115	8.30
<b>Z8-180X235</b>	180	235	44	50	64	78	M14x40	12	230	394	35.55	142	110	8.80
<b>Z8-190X250</b>	190	250	44	50	64	78	M14x40	15	230	597	52.05	187	130	9.50
<b>Z8-200X260</b>	200	260	44	50	64	78	M14x40	15	230	548	54.80	177	125	9.90
<b>Z8-220X285</b>	220	285	50	56	75	91	M16x40	12	355	548	60.25	141	100	14.4
<b>Z8-240X305</b>	240	305	50	56	75	91	M16x40	15	355	685	82.26	161	120	15.5
<b>Z8-260X325</b>	260	325	50	56	75	91	M16x50	18	355	731	95.10	180	120	16.7
<b>Z8-280X355</b>	280	355	60	66	87	105	M18x50	16	485	879	123.0	139	110	24.0
<b>Z8-300X375</b>	300	375	60	66	87	105	M18x50	18	485	989	148.0	146	120	25.0
<b>Z8-320X405</b>	320	405	74	81	104	124	M20x50	18	690	1140	182.5	128	100	38.0
<b>Z8-340X425</b>	340	425	74	81	104	124	M20x50	24	690	1280	218.0	136	110	40.8
<b>Z8-360X455</b>	360	455	86	94	120	142	M22x60	18	930	1600	290.0	138	110	48.0
<b>Z8-380X475</b>	380	475	86	94	120	142	M22x60	21	930	1600	305.0	131	105	57.0
<b>Z8-400X495</b>	400	495	86	94	120	142	M22x60	21	930	1770	355.0	137	110	63.0



# MINIMUM HUB DIAMETER

<b>Z – Lock series</b>  <span style="font-size: 2em;"><b>Z8</b></span>	<b>Pf Hub</b> <b>N/mm</b>	<b>YIELD POINT (<math>\sigma_{0.2N/mm^2}</math>)</b>								
		<b>150</b>	<b>180</b>	<b>200</b>	<b>220</b>	<b>250</b>	<b>270</b>	<b>300</b>	<b>350</b>	<b>400</b>
		GG-22	GG-26 GS-38 V2A-S V2A-E	GG-30 V4A-S GTS-35 1020 AS1434	GS-45 ST35 ST37-3 V4A-E 1040 AS1434	GS-52 GS-C25 GGG-40 ST45 1045 AS1434 Gr250 AS3678	C35 ST50-2 X8CrTi17 AlCuNic 1050 AS1434	GS-60 St60-2 C10 GTS-45 Gr300 AS3678	GS-62 St70-2 St52 Gr350 AS3678	GS-70 C60 25CrMo4 Gr400 AS3678
<b>Z8-20X47</b>	95	70	65	63	61	59	58	57	55	54
<b>Z8-24X50</b>	95	78	74	70	67	65	64	62	60	59
<b>Z8-25X50</b>	110	78	74	70	67	65	64	62	60	59
<b>Z8-28X55</b>	100	82	77	74	72	70	69	67	65	64
<b>Z8-30X55</b>	100	82	77	74	72	70	69	67	65	64
<b>Z8-35X60</b>	110	100	91	87	84	81	79	77	74	72
<b>Z8-40X65</b>	105	105	95	92	88	85	83	82	79	77
<b>Z8-45X75</b>	135	132	120	115	110	105	102	100	95	92
<b>Z8-50X80</b>	130	136	123	117	113	108	106	103	100	96
<b>Z8-55X85</b>	135	152	136	130	125	120	115	111	108	105
<b>Z8-60X90</b>	125	155	145	135	130	125	120	117	115	110
<b>Z8-65X95</b>	135	175	155	145	140	135	130	125	121	120
<b>Z8-70X110</b>	140	200	180	170	165	155	150	145	140	136
<b>Z8-75X115</b>	130	210	185	175	170	160	155	150	145	140
<b>Z8-80X120</b>	125	215	190	180	175	165	160	155	150	145
<b>Z8-85X125</b>	135	235	215	200	185	175	170	165	160	155

<b>Z8-90X130</b>	130	240	220	200	195	180	175	170	165	160
<b>Z8-95X135</b>	140	255	230	210	200	190	185	180	175	170
<b>Z8-100X145</b>	145	295	255	240	225	215	210	200	190	185
<b>Z8-110X155</b>	135	300	260	245	235	225	215	210	200	195
<b>Z8-120X165</b>	140	310	280	260	250	240	230	220	215	210
<b>Z8-130X180</b>	130	320	290	280	260	250	245	240	230	225
<b>Z8-140X190</b>	120	330	300	285	270	260	255	245	240	230
<b>Z8-150X200</b>	120	350	320	300	290	275	270	265	255	245
<b>Z8-160X210</b>	130	385	345	325	320	295	285	280	270	260
<b>Z8-170X225</b>	115	380	330	315	300	290	285	280	270	265
<b>Z8-180X235</b>	110	380	330	320	310	300	295	290	280	275
<b>Z8-190X250</b>	130	450	400	385	370	350	340	330	320	310
<b>Z8-200X260</b>	125	460	415	400	375	360	350	340	330	320
<b>Z8-220X285</b>	100	440	410	390	380	370	360	350	340	330
<b>Z8-240X305</b>	120	515	470	445	430	415	405	390	380	370
<b>Z8-260X325</b>	120	550	490	470	455	435	425	415	400	390
<b>Z8-280X355</b>	110	570	525	500	490	470	455	445	430	420
<b>Z8-300X375</b>	120	630	570	550	530	505	495	470	450	445
<b>Z8-320X405</b>	100	620	570	550	535	520	505	495	485	470
<b>Z8-340X425</b>	110	680	630	600	580	560	550	535	520	505
<b>Z8-360X455</b>	110	740	680	650	630	600	585	570	550	540
<b>Z8-380X475</b>	105	750	690	670	640	620	605	590	570	560
<b>Z8-400X495</b>	110	800	740	700	680	650	640	620	600	585

# **Z8** FITTING AND REMOVAL OF Z-LOCK LOCKING ASSEMBLIES

## **Fitting:**

1. Fit at least 3 screws, evenly spaced around the circumference, into the threaded jacking holes, until resting against the face of the outer hub. This separates the hub and flange, and also stops tilting during assembly.
2. Tighten locking screws carefully until the locking assembly is located in the correct place without any looseness. Remove the lifting screws and tighten with the remaining screws.
3. Tighten all screws evenly to the given torque  $M_a$ , crosswise covering the circumference several times. (Tighten the screws on both sides of the slot one after the other). When no screw can be tightened any further with the torque wrench set to the tightening torque  $M_a$ , the fitting process is complete.

**Removal:**

1. Loosen all locking screws several turns and insert one screw into each of the flange's threaded jacking holes. Tighten the screws crosswise to loosen the connection. Tighten the screws both sides of the slot one after the other.

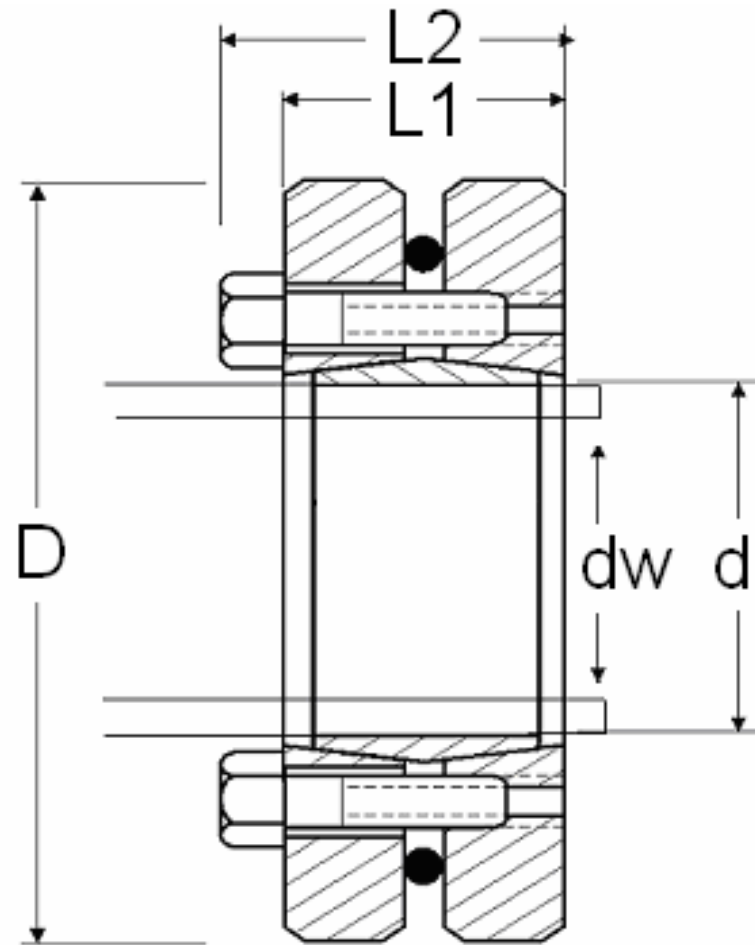
**Tightening Torques** for screws Gr. 12.9 DIN 912

Screw	M6	M8	M10	M12	M14	M16	M18	M20	M22
Torque Ma (Nm)	17	41	83	145	230	355	485	690	930

# ZSD SERIES

## SHRINK DISCS

**Ma** = screw tightening torque  
**Ft** = axial holding force when  $Mt=0$   
**Mt** = transmissible torque when  $Ft=0$   
**Pf** = specific pressure on mating shaft and hub



DIMENSIONS						SCREWS			CAPACITIES		
Z – Lock number	d	dw	D	L1	L2	Size	Qty	Ma Nm	Ft kN	Mt kNm	Wgt kg
<b>ZSD24-72</b>	24	19	50	14	18	M5x15	6	5	17	0.17	0.2
		20							0.21		
		21							0.25		
<b>ZSD30-72</b>	30	24	60	16	20	M5x18	6	5	25	0.30	0.3
		25							0.34		
		26							0.38		
		29							0.38		

<b>ZSD36-72</b>	36	28 30 31	72	18	22	M6x20	5	12	31 38 40	0.44 0.57 0.63	<b>0.5</b>
<b>ZSD44-72</b>	44	34 35 36	80	20	24	M6x20	7	12	41 44 47	0.71 0.78 0.86	<b>0.6</b>
<b>ZSD50-72</b>	50	38 40 42	90	22	26	M6x22	8	12	49 58 65	0.94 1.16 1.38	<b>0.8</b>
<b>ZSD55-72</b>	55	42 45 48	100	23	29	M6x25	8	12	55 67 78	1.16 1.52 1.88	<b>1.1</b>
<b>ZSD62-72</b>	62	48 50 52	110	23	29	M6x25	10	12	73 80 86	1.75 2.00 2.25	<b>1.3</b>
<b>ZSD68-72</b>	68	50 55 60	115	23	29	M8x30	6	29	74 91 105	1.85 2.50 3.15	<b>1.4</b>
<b>ZSD75-72</b>	75	55 60 65	138	25	31	M8x30	7	29	87 106 121	2.40 3.20 3.95	<b>2.4</b>
<b>ZSD80-72</b>	80	60 65 70	145	25	31	M8x30	7	29	106 120 131	3.20 3.90 4.60	<b>2.5</b>
<b>ZSD90-72</b>	90	65 70 75	155	30	38	M8x30	10	29	146 171 193	4.75 6.00 7.25	<b>3.3</b>
<b>ZSD100-72</b>	100	70 75 80	170	34	43	M8x35	12	29	171 200 225	6.00 7.50 9.00	<b>4.3</b>
<b>ZSD110-72</b>	110	75 80 85	185	39	49	M10x40	9	58	192 225 254	7.20 9.00 10.8	<b>5.9</b>
<b>ZSD125-72</b>	125	85 90 95	215	42	53	M10x40	12	58	258 288 315	11.0 13.0 15.0	<b>8.6</b>
<b>ZSD140-71</b>	140	95 100 105	230	46	58	M12x50	10	100	317 352 382	15.1 17.6 20.1	<b>10</b>
<b>ZSD155-71</b>	155	105 110 115	263	50	62	M12x50	12	100	419 454 487	22.0 25.0 28.0	<b>15</b>
<b>ZSD165-71</b>	165	115 120 125	290	56	68	M16x55	8	240	539 583 624	31.0 35.0 39.0	<b>22</b>

DIMENSIONS					SCREWS				CAPACITIES		
Z – Lock number	d	d w	D	L	H	Size	Qty	Ma Nm	Ft kN	Mt kNm	Wgt kg
<b>ZSD175-71</b>	175	125 130 135	300	56	68	M16x55	8	240	640 677 711	40 44 48	22
<b>ZSD185-71</b>	185	135 140 145	330	71	85	M16x65	10	240	815 857 896	55 60 65	37
<b>ZSD195-71</b>	195	140 150 155	350	71	85	M16x65	12	240	928 1013 1052	65 76 81.5	41
<b>ZSD200-71</b>	200	150 155 160	350	71	85	M16x65	12	240	1040 1084 1125	78 84 90	41
<b>ZSD220-71</b>	220	160 165 170	370	88	103	M16x75	15	240	1250 1309 1365	100 108 116	54
<b>ZSD240-71</b>	240	170 180 190	405	92	107	M20x80	12	470	1412 1533 1642	120 138 156	67
<b>ZSD260-71</b>	260	190 200 210	430	103	119	M20x85	14	470	1726 1840 1943	164 184 204	82
<b>ZSD280-71</b>	280	210 220 230	460	114	132	M20x95	16	470	2062 2227 2374	217 245 273	102
<b>ZSD300-71</b>	300	230 240 245	485	122	140	M20x100	18	470	2278 2442 2514	262 293 308	118
<b>ZSD320-71</b>	320	240 250 260	520	122	140	M20x100	20	470	2550 2720 2877	306 340 374	131
<b>ZSD340-71</b>	340	250 260 270	570	134	155	M20x110	24	470	3152 3308 3452	394 430 466	186
<b>ZSD360-71</b>	360	280 290 295	590	140	159	M24x120	24	820	3622 3793 3878	507 550 572	204

<b>ZSD380-71</b>	380	290 300 310	645	144	163	M24x120	20	820	4069 4267 4452	590 640 690	239
<b>ZSD390-71</b>	390	300 310 320	660	144	163	M24x120	21	820	4400 4580 4750	660 710 760	260
<b>ZSD420-71</b>	420	330 340 350	690	164	184	M24x130	24	820	4727 4940 5143	780 840 900	316
<b>ZSD440-71</b>	440	340 350 360	750	172	192	M24x130	24	820	5235 5486 5722	890 960 1030	408
<b>ZSD460-71</b>	460	360 370 380	770	172	192	M24X130	28	820	5556 5784 6000	1000 1070 1140	420
<b>ZSD480-71</b>	480	380 390 400	800	188	213	M24X140	30	820	6316 6513 6700	1200 1270 1340	505
<b>ZSD500-71</b>	500	400 410 420	850	188	213	M27X170	24	1100	7200 7415 7619	1440 1520 1600	575
<b>ZSD530-71</b>	530	430 440 450	910	213	238	M27X160	30	1100	8465 8818 9156	1820 1940 2060	746
<b>ZSD560-71</b>	560	450 460 470	940	213	238	M27X160	32	1100	8889 9261 9617	2000 2130 2260	775
<b>ZSD590-71</b>	590	470 480 490	980	228	260	M27X170	36	1100	9574 10000 10410	2250 2400 2550	900
<b>ZSD620-71</b>	620	500 510 520	1020	254	286	M30X190	32	1640	10800 11220 11620	2700 2860 3020	1080
<b>ZSD660-71</b>	660	530 540 550	1070	260	292	M30X190	36	1640	11700 12150 12580	3100 3280 3460	1190



# ZSD

## FITTING AND REMOVAL OF Z-LOCK SHRINK DISCS

### Fitting:

1. Before fitting to shafts, remove any spacers that may have been installed between pressure plates for transport reasons.
2. Loosely tighten the screws such that the inner ring will still rotate.
3. Grease the hub on which the inner ring is to be fitted.
4. Slide the shrink disc on to the hub.
5. Slide the hub on to the solid shaft. Both hub bore and solid shaft surface must be ungreased.
6. Ensure that the pressure plates are parallel by carefully tightening screws at a low torque.
7. Begin tightening the screws to full tension  $M_a$ , evenly in a clockwise direction (not crosswise). Repeat the clockwise tensioning procedure several times until all screws are tensioned to the recommended torque  $M_a$ .

### Removal:

1. Loosen screws evenly in a clockwise direction several times, take care to keep the pressure plates parallel.

**For safety reasons do not completely unscrew the screws as this could allow a pressure plate to jump off.**

2. Check for and remove any corrosion on hub and shaft, before hub is removed from solid shaft.
3. Remove shrink disc from hub.

## Used Shrink Discs:

Used shrink discs must be disassembled and cleaned. Undamaged bevel surfaces, screw threads and under screw heads should be re-greased.

Screw (Grade 10.9)	M5	M6	M8	M10	M12	M16	M20	M24	M27	M30
Torque Ma(Nm)	5	12	29	58	100	240	470	820	1100	1640

