



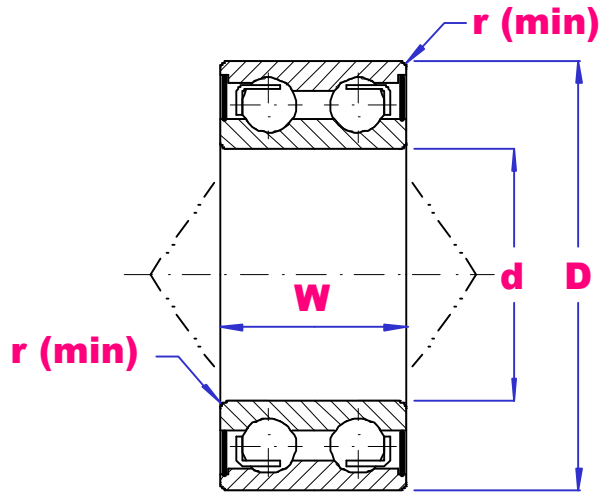
UBC

DOUBLE ROW ANGULAR CONTACT BALL BEARINGS

45 – 110 MM ID



Quality
Endorsed
Company
ISO 9001:2000
LIC QEC20818



PART NO	d mm	D mm	W mm	r _{min} mm	Load D-kN	Load S-kN	Limiting speed		Wgt kg
							Open/oil	2rs	
5209	45	85	30.2	1.1	49.5	38.1	6700	4500	.62
5309		100	39.7	1.5	68.5	51.1	6000	4000	1.41
5210	50	90	30.2	1.1	52.9	43.5	6000	4000	.67
5310		110	44.4	2.0	81.5	61.5	5600	3700	1.95
5211	55	100	33.3	1.5	55.9	49.2	5600	3800	.96
5311		120	49.2	2.0	95.0	73.0	5000	3200	2.31
5212	60	110	36.5	1.5	69.1	62.1	5000	3300	1.35
5312		130	54.0	2.1	125	98.5	4500	3000	3.15
5213	65	120	38.1	1.5	76.5	69.2	4500	3000	1.65
5313		140	58.7	2.1	142	113	4300	2400	3.85
5214	70	125	39.7	1.5	96.5	84.5	3800	2800	1.82
5314		150	63.5	2.1	163	132	3200	2500	4.88
5215	75	130	41.3	1.5	96	85.5	3600	-	1.91
5315		160	68.3	2.1	178	149	2900	-	5.51
5216	80	140	44.4	2.0	104	94	3500	-	2.48
5316		170	68.3	2.1	192	167	2700	-	6.81
5217	85	150	49.2	2.0	112	103	3300	-	3.40
5317		180	73	3.0	182	224	2600	-	8.30
5218	90	160	52.4	2.0	142	142	2700	-	3.95
5318		190	73	3.0	220	285	2500	-	8.82
5219	95	170	55.6	2.1	147	185	2600	-	4.85
5319		200	77.8	3.0	238	315	2400	-	11.0
5220	100	180	60.3	2.1	157	175	2500	-	5.55
5320		215	82.3	3.0	255	310	2300	-	13.3
5222	110	200	69.8	2.1	190	270	2500	-	8.85
5322		240	92.1	3.0	275	429	2400	-	19.9