



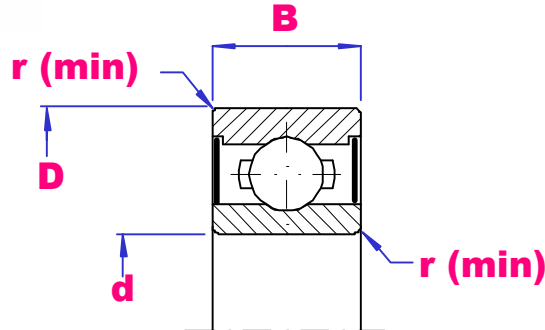
# UBC

## DEEP GROOVE BALL BEARINGS

### 40 – 60 MM ID



Quality  
Endorsed  
Company  
ISO 9001:2000  
LIC QEC20818



PART NO	d mm	D mm	B mm	rmin mm	Load D-kN	Load S-kN	Limiting speed			Wgt g
							Open/oil	zz	2rs	
6708	40	50	6	0.3	3.12	2.68	17000	15000	8000	18
6808		52	7	0.3	4.90	4.35	14000	12000	6700	31
6908		62	12	0.6	13.7	10.1	13000	11000	6300	112
6008		68	15	1.0	16.8	11.5	12000	10000	6000	191
6208		80	18	1.1	29.1	17.8	10000	8500	5600	366
6308		90	23	1.5	40.5	23.9	9000	7500	5300	636
6408		110	27	2.0	61.9	38.1	7000	-----	-----	1121
6809	45	58	7	0.3	5.35	5.25	13000	11000	6000	38
6909		68	12	0.6	14.1	10.9	12000	9500	5600	126
6009		75	16	1.0	20.9	15.2	11000	9000	5300	241
6209		85	19	1.1	31.5	20.4	9000	7500	5100	419
6309		100	25	1.5	53.0	32.1	8000	6700	4800	829
6409		120	29	2.0	76.5	47.5	6500	-----	-----	1510
6810	50	65	7	0.3	6.42	6.19	11000	9500	5300	51
6910		72	12	0.6	14.5	11.7	10500	9000	5200	135
6010		80	16	1.0	21.8	16.6	10000	8500	4800	261
6210		90	20	1.1	36.5	23.2	8500	7100	4600	459
6310		110	27	2.0	62.2	38.5	7500	6000	4300	1061
6410		130	31	2.1	81.5	51.9	6000	-----	-----	1830
6811	55	72	9	0.3	8.80	8.51	10000	8500	4800	81
6911		80	13	1.0	16.0	13.3	9500	8000	4500	189
6011		90	18	1.1	28.3	21.2	9000	7500	4400	381
6211		100	21	1.5	43.5	29.3	7500	6300	4300	619
6311		120	29	2.0	71.5	44.5	6700	5600	4000	1371
6411		140	33	2.1	93.1	60.1	5500	-----	-----	2381
6812	60	78	10	0.3	11.5	10.9	9500	8000	4500	103
6912		85	13	1.0	19.4	16.3	9000	7500	4300	192
6012		95	18	1.1	29.5	17.5	8500	7100	4000	412
6212		110	22	1.5	52.5	36.1	7100	5600	3800	783
6312		130	31	2.1	82.1	51.9	6300	5300	3600	1718
6412		150	35	2.1	104	67.9	5200	-----	-----	2888