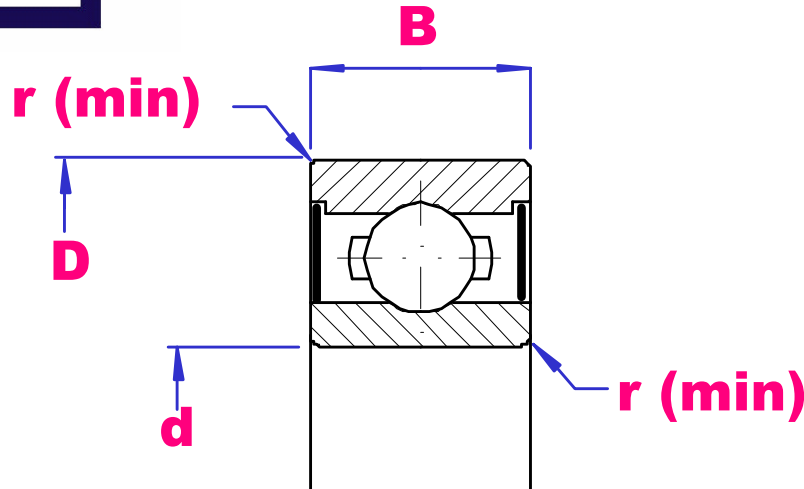




UBC

DEEP GROOVE BALL BEARINGS

2.3/4" - 4" ID



PART NO	d inch	D inch	B inch	r _{min} inch	Load D-kN	Load S-kN	Limiting speed		Wgt kg
							Oil	grease	
XLJ2.3/4	2.3/4	4.1/8	11/16	0.063	24.5	21.3	8300	6100	0.535
RLS22		5.1/4	15/16	0.094	70.0	48.0	7200	5300	1.33
RMS22		6.1/4	1.3/8	0.125	118	77.0	6200	4600	2.89
XLJ3	3	4.1/2	3/4	0.094	41.1	33.5	7800	5800	0.753
RLS24		5.3/4	1.1/16	0.094	81.5	57.0	6500	4800	1.81
RMS24		7	1.9/16	0.156	138	96.5	5400	4000	4.25
XLJ3.1/4	3.1/4	4.3/4	3/4	0.094	30.5	28.3	5400	5500	0.807
RLS26		6	1.1/16	0.094	87.5	62.0	6100	4500	1.87
RMS26		7.1/2	1.9/16	0.156	139	99.0	5100	3800	4.99
XLJ3.1/2	3.1/2	5	3/4	0.094	34.1	31.4	6800	5000	0.785
RLS28		6.1/2	1.1/8	0.125	100	72.0	5600	4200	2.33
RMS28		8.1/8	1.3/4	0.156	169	129	4600	3400	6.53
XLJ3.3/4	3.3/4	5.1/4	3/4	0.094	40.6	38.5	6400	4700	0.844
RLS30		6.3/4	1.1/8	0.125	106	80.5	5300	3900	2.47
RMS30		8.1/4	1.3/4	0.156	169	129	4600	3400	6.53
XLJ4	4	5.5/8	7/8	0.094	41.4	40.5	6000	4200	1.15
RLS32		7.1/4	1.1/4	0.125	120	88.5	5100	3800	3.18
RMS32		8.1/2	1.3/4	0.156	170	132	4400	3200	6.71