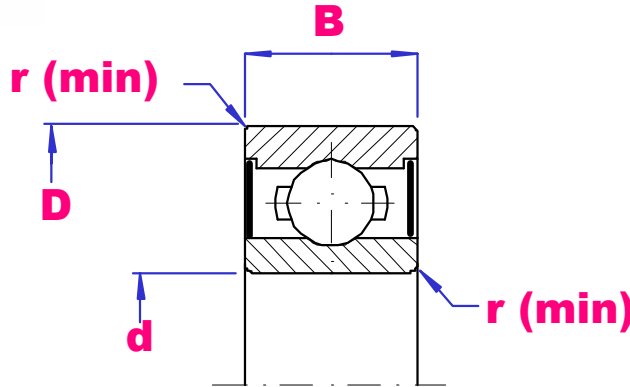




UBC

DEEP GROOVE BALL BEARINGS

22 – 35 MM ID



PART NO	d mm	D mm	B mm	rmin mm	Load D-kN	Load S-kN	Limiting Speed			Wgt g
							Open/oil	zz	2rs	
60/22	22	44	12	0.6	9.40	5.05	20000	17000	11000	74
62/22		50	14	1.0	12.9	6.80	16000	14000	9500	119
63/22		56	16	1.1	18.4	9.25	14000	13000	8500	179
6705	25	32	4	0.3	1.93	1.55	26000	20000	12000	6
6805		37	7	0.3	4.30	2.95	22000	18000	10000	21
6905		42	9	0.3	7.05	4.55	19000	16000	10000	42
6005		47	12	0.6	10.1	5.85	18000	15000	9500	79
6205		52	15	1.0	14.0	7.85	15000	13000	9000	129
6305		62	17	1.1	20.6	11.2	13000	11000	8000	235
6405		80	21	1.5	36.1	19.3	10000	-----	-----	561
60/28	28	52	12	0.6	12.5	7.40	16000	14000	8500	96
62/28		58	16	1.0	16.6	9.50	14000	12000	8000	175
63/28		68	18	1.1	26.7	14.0	13000	10000	7500	287
6706	30	37	4	0.3	2.05	1.78	24000	18000	10500	8
6806		42	7	0.3	4.50	3.45	18000	15000	9000	24
6906		47	9	0.3	7.25	5.00	17000	14000	8500	52
6006		55	13	1.0	13.2	8.30	15000	13000	8000	116
6206		62	16	1.0	19.5	11.3	13000	11000	7500	199
6306		72	19	1.1	26.7	15.1	12000	9500	6700	345
6406		90	23	1.5	42.4	23.2	9500	-----	-----	762
60/32	32	58	13	1.0	15.1	9.15	14000	12000	7500	122
62/32		65	17	1.0	20.7	11.6	12000	10000	7100	225
63/32		75	20	1.1	29.9	16.9	11000	9000	6300	389
6707	35	44	5	0.3	2.38	2.15	20000	15000	9000	11
6807		47	7	0.3	4.75	3.90	16000	13000	7500	27
6907		55	10	0.6	10.6	7.25	15000	12000	7100	75
6007		62	14	1.0	16.0	10.3	13000	11000	6700	151
6207		72	17	1.1	25.7	15.3	11000	9500	6300	284
6307		80	21	1.5	33.5	19.2	10000	8500	6000	464
6407		100	25	1.5	52.9	31.5	9000	-----	-----	971