



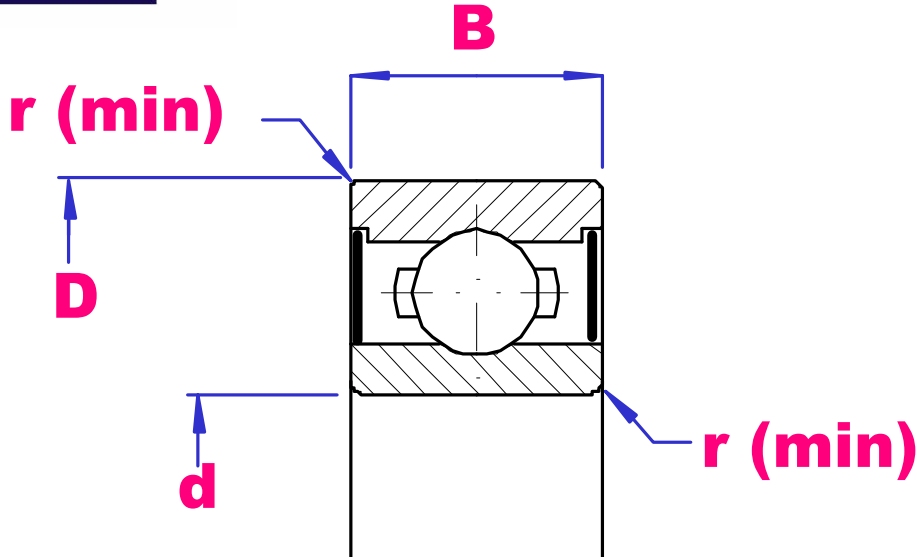
UBC

DEEP GROOVE BALL BEARINGS

130 – 160 MM ID



Quality
Endorsed
Company
ISO 9001:2000
LIC QEC20818



PART NO	d mm	D mm	B mm	rmin mm	Load D-kN	Load S-kN	Limiting speed			Wgt kg
							Open	zz	2rs	
6826	130	165	18	1.1	36.9	43.9	4300	3600	-----	0.758
6926		180	24	1.5	65.1	67.5	4000	3400	-----	1.57
6026		200	33	2.0	106	101	3600	3000	-----	3.26
6226		230	40	3.0	167	146	3000	2400	-----	5.96
6326		280	58	4.0	229	214	2600	2200	-----	15.2
6828	140	175	18	1.1	38.5	48.0	4000	3400	-----	0.832
6928		190	24	1.5	66.5	72.0	3800	3200	-----	1.67
6028		210	33	2.0	110	109	3400	2800	-----	3.48
6228		250	42	3.0	166	150	2800	2200	-----	7.68
6328		300	62	4.0	253	246	2400	2000	-----	18.5
6830	150	190	20	1.1	47.5	58.5	3800	3200	-----	1.15
6930		210	28	2.0	85.1	90.5	3200	2600	-----	3.01
6030		225	35	2.1	126	126	3000	2400	-----	4.24
6230		270	45	3.0	176	168	2600	2000	-----	10.0
6330		320	65	4.0	274	234	2200	1800	-----	22.7
6832	160	200	20	1.1	48.5	61.0	3200	2600	-----	1.42
6932		220	28	2.0	87.1	96.0	3000	2400	-----	3.16
6032		240	38	2.1	137	135	2800	2200	-----	5.15
6232		290	48	3.0	185	186	2400	1900	-----	12.8
6332		340	68	4.0	278	287	2000	1700	-----	26.2