

# BOHMA

POWER TRANSMISSION



SHAFT COUPLINGS

SC11V1

# COUPLING TYPES



**TYRE COUPLING**



**RIGID COUPLING**



**HRC COUPLING**



**CONE RING COUPLING**



**BROTEX (CURVE JAW) COUPLING**



**JAW COUPLINGS**



**TAPERLOCK BUSH**

# INDEX

<b>JAW COUPLINGS</b>	<b>PAGE</b>
JAW COUPLING SELECTION .....	1
JAW COUPLING DIMENSIONS (PILOT BORE & FINISHED BORE) .....	2
JAW SPACER COUPLING DIMENSIONS .....	3
JAW COUPLING DIMENSIONS (TAPERLOCK TYPE) .....	4
<b>HRC COUPLINGS</b>	
HRC COUPLING SELECTION .....	5
HRC COUPLING DIMENSIONS .....	6
<b>BROTEX COUPLINGS (CURVE JAW)</b>	
BROTEX COUPLING SELECTION .....	7
BROTEX COUPLING DIMENSIONS (PILOT BORE) .....	8
BTOTEX COUPLING DIMENSIONS (TAPERLOCK TYPE) .....	9
<b>TYRE COUPLINGS</b>	
TYRE COUPLING SELECTION .....	10
TYRE COUPLING DIMENSIONS SIZES F40-F60 .....	11
TYRE COUPLING DIMENSIONS SIZES F70-F180 .....	12
<b>CONE RING COUPLINGS</b>	
CONE RING COUPLING SELECTION .....	13
CONE RING COUPLING DIMENSIONS .....	14
CONE RING PIN & BUSH DIMENSIONS .....	15
<b>RIGID COUPLINGS</b>	
RIGID COUPLING SELECTION & DIMENSIONS .....	16
<b>CHAIN COUPLINGS</b>	
CHAIN COUPLING SELECTION & DIMENSIONS .....	17
<b>TAPERLOCK BUSHES</b>	
INSTALLATION INSTRUCTIONS .....	18
TAPERLOCK DIMENSIONS .....	19-20

# JAW COUPLING SELECTION

1. Select service factor by matching the driven unit with prime mover in the below service factor chart.
2. Multiply service factor by driven unit or motor kW to calculate adjusted kW.
3. Select Jaw Coupling with kW capacity equal to or greater than adjusted kW.

## SERVICE FACTOR CHART

DRIVEN UNIT (MACHINERY)	PRIME MOVER TYPE		
	ELECTRIC MOTOR OR STEAM TURBINE	PETROL, DIESEL MOTOR, LESS THEN 6 CYLINDERS	PETROL ,DIESEL MOTOR, MORE-THEN 6 CYLINDERS
<b>LIGHT:</b> Uniform or steady load that does not exceed power rating or infrequent starting. E.g. Agitators, Blowers, Conveyors, Fans, Generators, Centrifugal pumps.	1.0	1.5	2.0
<b>MEDIUM:</b> Heavy inertia, moderate shock, frequent starting; peak loads do not exceed 125% of average Hp. E.g. Uneven load, Beaters, Rotary pumps, Compressors, Cranes, Elevators, Fans, Generators, Pulp Grinders, Hoists, Gear Pumps.	1.5	2.0	2.5
<b>HEAVY:</b> Heavy shock loads and frequent reversing. Peak loads do not exceed 150% of average Hp. E.g. Uneven load, Reciprocating Pumps and Compressors, Crushers, Elevators, Mills, Vibrating Screens, Winches, Punches.	2.0	2.5	3.0

## TORQUE AND KW RATING

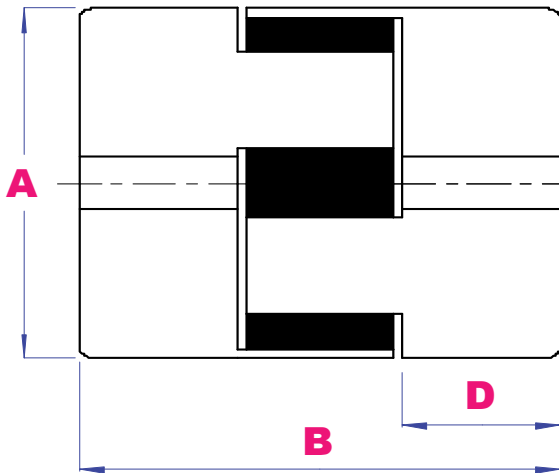
SIZE	TORQUE RATING Nm	KILOWATT CAPACITY AT VARIOUS RPM									MAX BORE (mm)	WEIGHT (kg) EA.
		100	300	720	960	1200	1440	1800	2880	3600		
J035	0.46	.005	.01	.040	.05	.05	.07	.10	0.14	0.18	9.5	.03
J050	3.51	.037	.11	.26	.35	.45	.53	.70	1.05	1.30	15.9	.06
J070	5.77	.060	.16	.43	.58	.63	.87	.90	1.73	2.17	19.1	.11
J075	11.94	.125	.29	.90	1.20	1.16	1.80	1.70	3.61	4.51	22.2	.20
J090	19.6	.201	.49	1.44	1.93	1.97	2.89	3.00	5.78	7.22	28.6	.31
J095	25.8	.27	.67	1.95	2.59	2.70	3.89	4.00	7.78	9.73	28.6	.38
J100	46.4	.58	1.50	4.18	5.58	5.90	8.36	8.90	16.73	20.91	34.9	.67
J110	89.0	1.10	2.70	7.94	10.59	10.70	15.88	16.10	31.77	39.71	41.3	1.45
J150	141.0	1.50	4.30	11.23	14.98	17.00	22.35	25.50	44.70	51.00	47.6	2.04
J190	190.0	2.01	5.40	15.07	20.09	21.50	30.14	32.20	60.28	64.40	54.0	3.74
J225	265.0	2.76	8.10	21.09	28.13	32.20	41.40	48.30	82.80	96.60	66.7	5.44

**NOTE:** For speeds other than those listed, use the nominal torque rating from the above table.

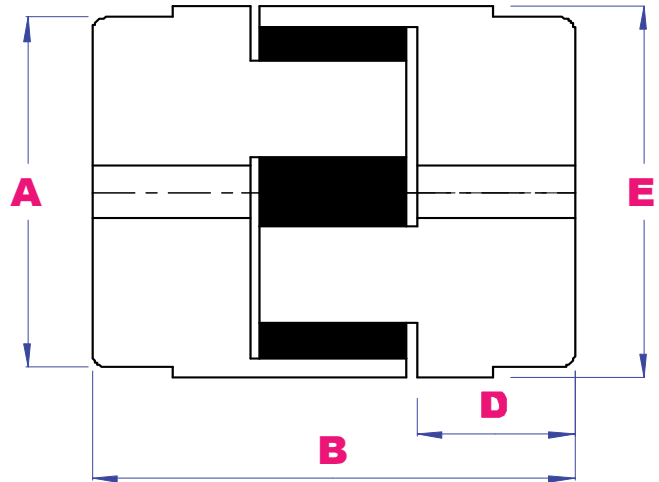
$$\text{Required Torque (Nm)} = \frac{\text{Design power (kW)} \times 9555}{\text{Rev / min}}$$

# JAW COUPLING DIMENSIONS

**TYPE 1**



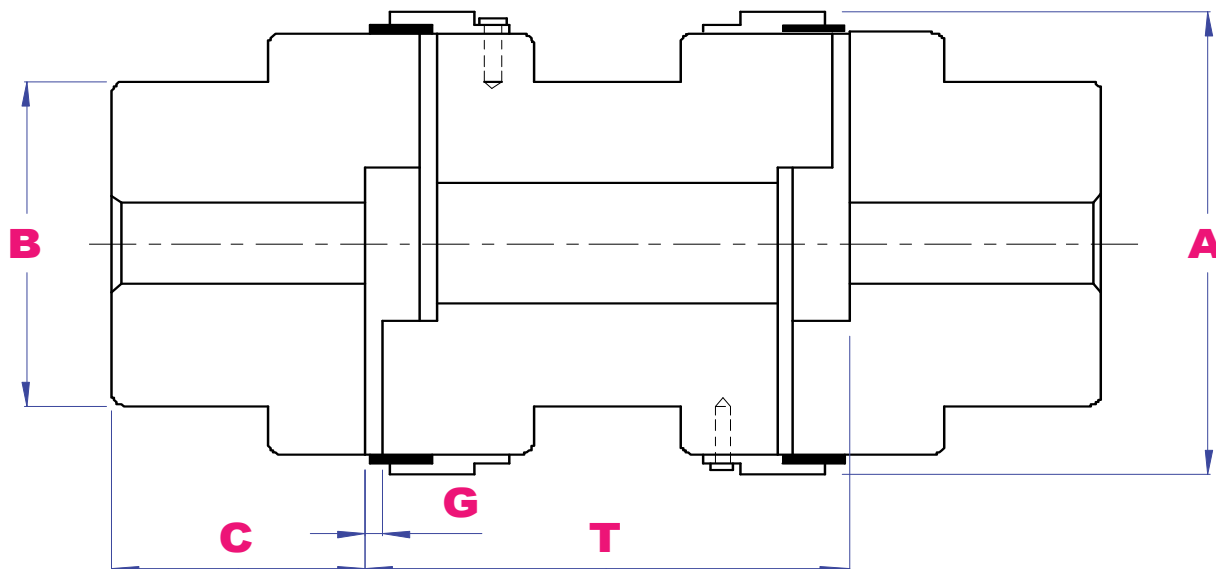
**TYPE 2**



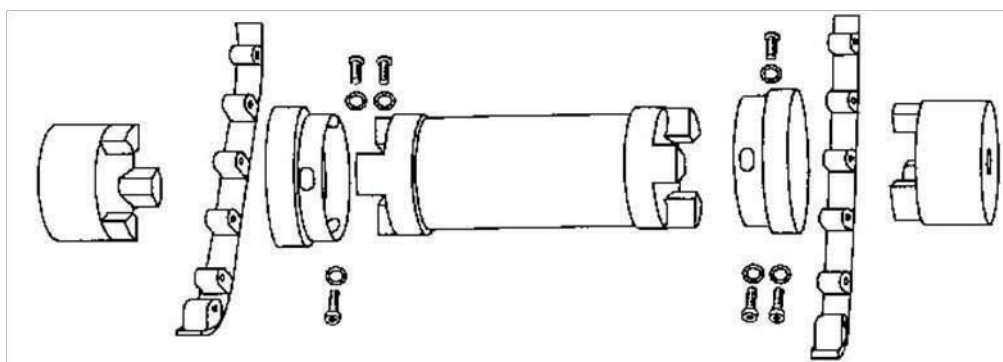
SIZE	TYPE	DIMENSIONS (mm)					Max Speed rpm
		A	B	C	D	E	
J035	1	16	20.2	7.8	6.5	-	30,000
J050	1	28	43	12	15.5	-	17,000
J070	1	35	50.7	12.7	19	-	14,000
J075	1	45	55	12.7	20.5	-	11,000
J090	1	54	55	12.7	21	-	9,000
J095	1	54	64	12.7	25.5	-	7,000
J100	1	65	89	19	35	-	5,000
J110	1	84	108	22	43	-	5,000
J150	2	96	115.4	25.4	45	80	5,000
J190	2	115	133.4	25.4	54	102	5,000
J225	2	127	153.4	25.4	64	108	4,200

**NOTE:** Jaw Couplings are available in finished bore sizes. Please contact your distributor for availability.

# JAW SPACER DIMENSIONS

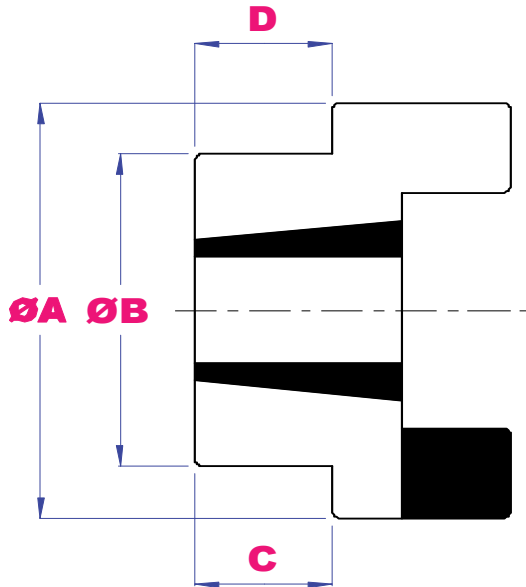


DIMENSIONS (mm)					
SIZE	A	C	B	G (GAP)	T
J095	65	25.5	54	2	100 / 140 / 180
J100	78	35	64.5	2	100 / 140 / 180
J110	96	43	85	3	100 / 140 / 180
J150	111	45	96	3	100 / 140 / 180
J190	129	54	101.6	3	100 / 140 / 180
J225	142	64	108	3	100 / 140 / 180

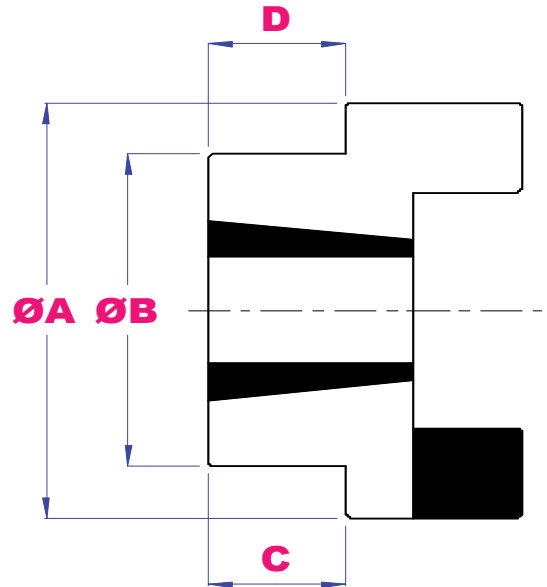


# JAW COUPLING DIMENSIONS-TL

**TYPE F**



**TYPE H**



DIMENSIONS (mm)								
SIZE	BUSH			A	B	D	C	COMPLETE COUPLING LENGTH (2 HUBS & INSERT)
	SIZE	MAX BORE						
		mm	inch					
J095	1008	25	1'	54	54		22.5	57
J100	1108	28	1.1/8'	65	65		22.5	64
J110	1210	32	1.1/4'	85	85		25.5	74
J150	1210	32	1.1/4'	96	96		25.5	77
J190	1610	42	1.5/8'	115	102	6.5	25.5	77
J225	2012	50	2'	127	108	13	32	90

# HRC COUPLING SELECTION

1. Select service factor by matching the driven unit with prime mover in the below service factor chart.
2. Multiply service factor by driven unit or motor kW to calculate adjusted kW.
3. Select HRC with kW capacity equal to or greater than adjusted kW.

## SERVICE FACTOR CHART

DRIVEN UNIT (MACHINERY)	PRIME MOVER TYPE					
	ELECTRIC MOTORS STEAM TURBINES		INTERNAL COMBUSTION ENGINES STEAM ENGINES WATER TURBINES			
	HOURS OF DUTY PER DAY		HOURS OF DUTY PER DAY			
	8 AND UNDER	OVER 8 TO 16 INCLUSIVE	OVER 16	8 AND UNDER	OVER 8 TO 16 INCLUSIVE	OVER 16
<b>UNIFORM:</b> Agitators, brewing machinery, Centrifugal blowers, Conveyors, Fans, Pumps, Generators	1.00	1.12	1.25	1.00	1.40	1.60
<b>MODERATE SHOCK:</b> Clay working machinery, crane hoists, Laundry machinery, Wood working machinery, Machine tools, Rotary mills, paper mill machinery, Textile machinery	1.60	1.80	2.00	2.00	2.24	2.50
<b>HEAVY SHOCK:</b> Reciprocating conveyors, Crushers, Shakers, Metal mills, Rubber machinery, Reciprocating compressors, Welding sets	2.50	2.80	3.12	3.12	3.55	4.00

## POWER RATINGS KW

SPEED RPM	COUPLING SIZE							
	70	90	110	130	150	180	230	280
100	0.33	0.84	1.68	3.30	6.28	9.95	20.90	33.00
200	0.66	1.68	3.35	6.60	12.60	19.90	41.90	65.00
400	1.32	3.35	6.70	13.20	25.10	39.80	83.80	132.00
600	1.98	5.03	10.10	19.80	37.70	59.70	126.00	198.00
<b>720</b>	2.37	6.03	12.10	23.80	45.20	71.60	151.00	238.00
800	2.65	6.70	13.40	26.40	50.30	79.60	168.00	264.00
<b>960</b>	3.17	8.04	16.10	31.70	60.30	95.50	201.00	317.00
1200	3.96	10.10	20.10	39.60	75.40	119.00	251.00	396.00
<b>1440</b>	4.75	12.10	24.10	47.50	90.50	143.00	302.00	475.00
1600	5.28	13.40	26.80	52.80	101.00	159.00	335.00	528.00
1800	5.94	15.10	30.20	59.40	113.00	179.00	377.00	594.00
2000	6.60	16.80	33.50	66.00	126.00	199.00	419.00	660.00
2200	7.26	18.40	36.90	72.60	138.00	219.00	461.00	726.00
2400	7.92	20.10	40.20	79.20	151.00	239.00	503.00	
2600	8.58	21.80	43.60	85.80	163.00	259.00	545.00	
<b>2880</b>	9.50	24.10	48.30	95.00	181.00	286.00		
3000	9.90	25.10	50.30	99.00	188.00	298.00		
3600	11.90	30.10	60.30	118.00	226.00			
NOMINAL TORQUE(Nm)	31.50	80.00	160.00	315.00	600.00	950.00	2000.00	3150.00
MAX TORQUE (Nm)	72.00	180.00	360.00	720.00	1500.00	2350.00	5000.00	7200.00

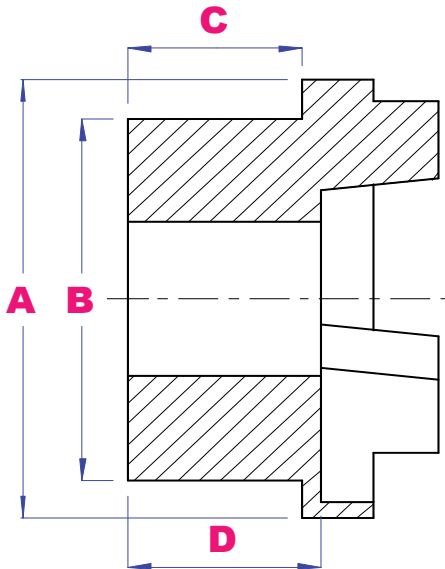
**NOTE:** For speeds other than those listed, use the nominal torque rating from the above table.

$$\text{Required Torque (Nm)} = \frac{\text{Design power (kW)} \times 9555}{\text{Rev / min}}$$

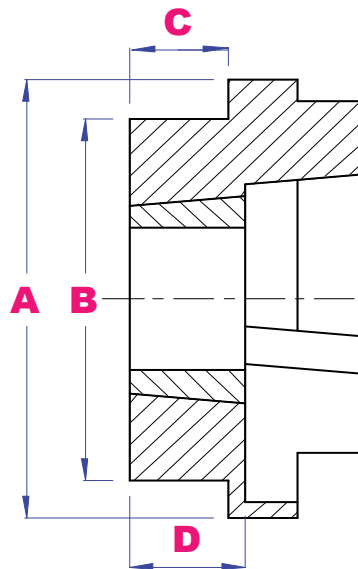


# HRC COUPLING DIMENSIONS

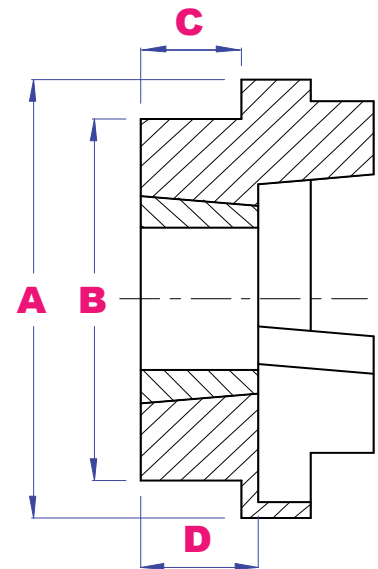
**PILOT BORE**



**TYPE F**



**TYPE H**



**DIMENSIONS (mm)**

SIZE	TAPER BUSH	A	B	C	D	COMPLETE COUPLING LENGTH (2 HUBS & INSERT)	MAXIMUM MISALIGNMENT		MAX RPM	FINISHED MAX BORE
							PARALLEL	AXIAL		
HRC70	1008	69	60	20	23.5	65	0.3	+0.2	9100	32
HRC90	1108	85	70	19.5	23.5	69.5	0.3	+0.5	7400	42
HRC110	1610	112	100	18.5	26.5	82	0.3	+0.6	5630	55
HRC130	1610	130	105	18	26.5	89	0.4	+0.8	4850	60
HRC150	2012	150	115	23.5	33.5	107	0.4	+0.9	4200	70
HRC180	2517	180	125	34.5	46.5	142	0.4	+1.1	3500	80
HRC230	3020	225	155	39.5	52.5	165	0.5	+1.3	2800	100
HRC280	3525	275	206	51	66.5	208	0.5	+1.7	2300	130

# BROTEX COUPLING SELECTION

1. Select service factor by matching the driven unit with prime mover in the below service factor chart.
2. Multiply service factor by driven unit or motor kW to calculate adjusted kW.
3. Calculate required torque using below calculation

$$\text{Required Torque (Nm)} = \frac{\text{Design power (kW)} \times 9555}{\text{Rev / min}}$$

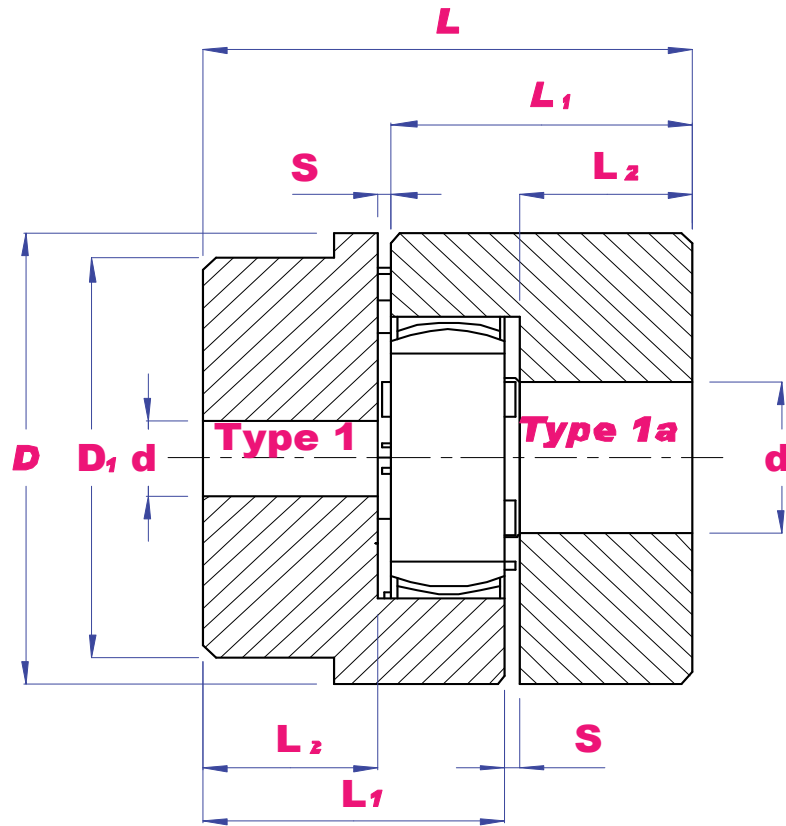
## SERVICE FACTOR CHART

DRIVEN UNIT (MACHINERY)	PRIME MOVER TYPE		
	ELECTRIC MOTOR OR STEAM TURBINE	PETROL, DIESEL MOTOR, MORE THEN 6 CYLINDERS	PETROL ,DIESEL MOTOR, LESS THEN 6 CYLINDERS
<b>LIGHT:</b> Uniform or steady load that does not exceed power rating or infrequent starting. E.g. Agitators, Blowers, Conveyors, Fans, Generators, Centrifugal pumps.	1.0	1.5	2.0
<b>MEDIUM:</b> Heavy inertia, moderate shock, frequent starting; peak loads do not exceed 125% of average Hp. E.g. Uneven load, Beaters, Rotary pumps, Compressors, Cranes, Elevators, Fans, Generators, Pulp Grinders, Hoists, Gear Pumps.	1.5	2.0	2.5
<b>HEAVY:</b> Heavy shock loads and frequent reversing. Peak loads do not exceed 150% of average Hp. E.g. Uneven load, Reciprocating Pumps and Compressors, Crushers, Elevators, Mills, Vibrating Screens, Winches, Punches.	2.0	2.5	3.0

## TORQUE RATING

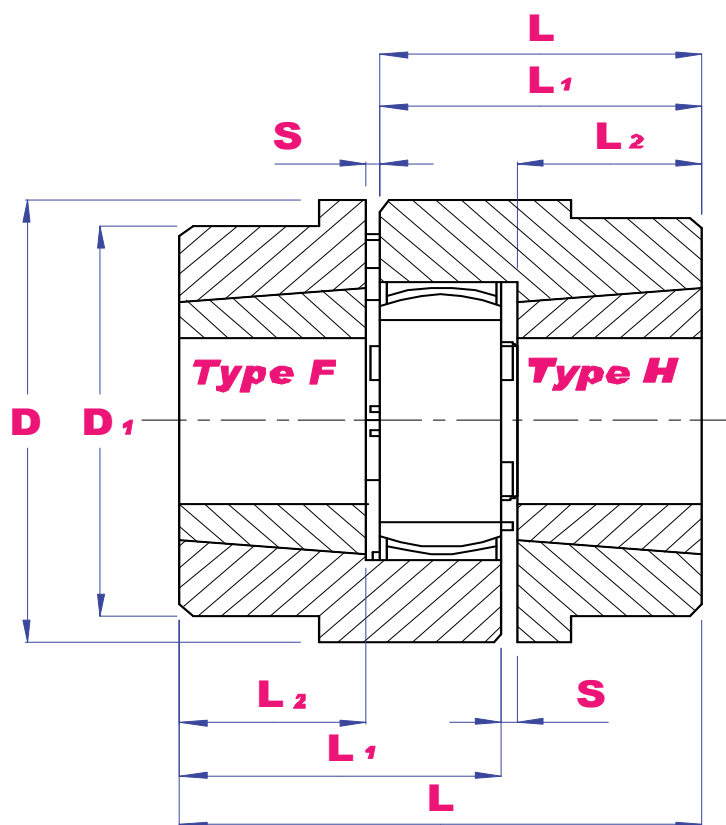
SIZE	TORQUE RATING (Nm)		MAX SPEED (RPM)
	92 SHORE INSERT (YELLOW)	98 SHORE INSERT (RED)	
GE-14	7	12	19,000
GE-19	10	17	19,000
GE-24	35	60	14,000
GE-28	95	160	11,800
GE-38	190	325	9,500
GE-42	265	450	8,000
GE-48	310	525	7,100
GE-55	410	685	6,300
GE-65	625	940	5,600
GE-75	1280	1920	4,750
GE-90	2400	3600	3,750
GE-100	3950	5750	2,460
GE-110	4800	6960	2,210
GE-125	6000	8500	1,950

# BROTEX COUPLING DIMENSIONS—PB



DIMENSIONS (mm)									
TYPE	D	D1	d-min	d-max	S	L1	L2	L	WEIGHT (kg)
GE-19-1	40	32	6	19	1.0	39.0	25	65	0.19
GE-19-1a	40		19	24	1.0	39.0	25	65	
GE-24-1	56	40	9	24	1.0	46.0	30	77	0.38
GE-24-1a	56		22	28	1.0	46.0	30	77	
GE-28-1	65	48	10	28	1.5	52.5	35	89	0.62
GE-28-1a	65		28	38	1.5	52.5	35	89	
GE-38-1	80	66	12	38	1.0	66.0	45	112	1.36
GE-38-1a	80		38	45	1.0	66.0	45	112	
GE-42-1	95	75	14	42	1.0	73.0	50	124	2.03
GE-42-1a	95		42	55	1.0	73.0	50	124	
GE-48-1	105	85	15	48	1.5	80.5	56	138	2.85
GE-48-1a	105		48	60	1.5	80.5	56	138	
GE-55-1	120	98	20	55	2.0	91.0	65	158	4.32
GE-55-1a	120		55	70	2.0	91.0	65	158	
GE-65-1	135	115	22	65	1.5	105.5	75	182	6.66
GE-65-1a	135		22	65	1.5	105.5	75	182	
GE-75-1	160	135	30	75	1.0	120.0	85	206	10.48
GE-75-1a	160		30	75	1.0	120.0	85	206	
GE-90-1	200	160	40	90	1.5	139.5	100	241	17.89
GE-90-1a	200	180	40	90	1.5	139.5	100	241	
GE-100-1	225	180	45	100	1.5	156.0	110	270	
GE-110-1	255	200	55	110	1.5	170.0	120	295	
GE-125-1	290	230	55	125	1.5	193.5	140	340	

# BROTEX COUPLING DIMENSIONS-TL



DIMENSIONS (mm)									
TYPE	BUSH SIZE	MAX BORE	D	D1	S	L1	L2	L	WEIGHT (kg)
GE-24-F	1008	25	56		1.0	39.0	23.0	63.0	0.31
GE-24-H	1008	25	56		1.0	39.0	23.0	63.0	0.31
GE-28-F	1108	28	65		1.5	40.5	23.0	65.0	0.46
GE-28-H	1108	28	65		1.5	40.5	23.0	65.0	0.46
GE-38-F	1108	28	80	78	1.0	44.0	23.0	68.0	0.79
GE-38-H	1108	28	80	78	1.0	44.0	23.0	68.0	0.79
GE-42-F	1610	42	95	94	1.0	49.0	26.0	76.0	1.10
GE-42-H	1610	42	95	94	1.0	49.0	26.0	76.0	1.10
GE-48-F	1615	42	105	104	1.5	63.5	39.0	104.0	2.07
GE-48-H	1615	42	105	104	1.5	63.5	39.0	104.0	2.07
GE-55-F	2012	50	120	118	2.0	59.0	33.0	94.0	2.22
GE-55-H	2012	50	120	118	2.0	59.0	33.0	94.0	2.22
GE-65-1F	2012	50	135	133	1.5	63.5	33.0	98.0	3.14
GE-65-H	2517	65	135	133	1.5	75.5	45.0	122.0	4.03
GE-75-F	2517	65	160	135	1.0	81.0	46.0	128.0	4.69
GE-75-H	3020	75	160	135	1.0	87.0	52.0	140.0	4.99
GE-90-F	3020	75	200	160	1.5	91.5	52.0	145.0	7.74
GE-90-H	3525	100	200	160	1.5	103.5	64.0	169.0	8.74

# TYRE COUPLING SELECTION

1. Select service factor by matching the driven unit with prime mover in the below service factor chart.
2. Multiply service factor by driven unit or motor kW to calculate adjusted kW.
3. Select Tyre Coupling with kW capacity equal to or greater then adjusted kW.

## SERVICE FACTOR CHART

DRIVEN LOAD	PRIME MOVER
	ELECTRIC MOTOR
UNIFORM LOAD	1.0
MODERATE SHOCK	1.5
HEAVY SHOCK	2.0

## POWER RATINGS (KW)

SPEED RPM	COUPLING SIZE											
	F40	F50	F60	F70	F80	F90	F100	F110	F120	F140	F160	F180
100	0.25	0.69	1.33	2.62	3.93	5.24	7.07	9.16	13.9	24.3	40	65.7
200	0.50	1.38	2.66	5.24	7.85	10.5	14.1	18.3	27.9	48.7	79	131
300	0.75	2.07	3.99	7.85	11.8	15.7	21.2	27.5	41.8	73.0	118	197
400	1.01	2.76	5.32	10.5	15.7	20.9	28.3	36.6	55.7	97.4	158	263
500	1.26	3.46	6.65	13.1	19.6	26.2	35.3	45.8	69.6	122	197	328
600	1.51	4.15	7.98	15.7	23.6	31.4	42.4	55.0	83.6	146	237	394
700	1.76	4.84	9.31	18.3	27.5	36.6	49.5	64.1	97.5	170	276	460
<b>720</b>	1.81	4.98	9.57	18.8	28.3	37.7	50.9	66.0	100	175	284	473
800	2.01	5.53	10.6	20.9	31.4	41.9	56.5	73.3	111	195	316	525
900	2.26	6.22	12.0	23.6	35.3	47.1	63.6	82.5	125	219	355	591
<b>960</b>	2.41	6.63	12.8	25.1	37.7	50.3	67.9	88.0	134	234	379	630
1000	2.51	6.91	13.3	26.2	39.3	52.4	70.7	91.6	139	243	395	657
1200	3.02	8.29	16.0	31.4	47.1	62.8	84.8	110	167	292	474	788
1400	3.52	9.68	18.6	36.6	55.0	73.3	99.0	128	195	341	553	919
<b>1440</b>	3.62	9.95	19.1	37.7	56.5	75.4	102	132	201	351	568	945
1600	4.02	11.1	21.3	41.9	62.8	83.8	113	147	223	390	632	
1800	4.52	12.4	23.9	47.1	70.7	94.2	127	165	251	438		
2000	5.03	13.8	26.6	52.4	78.5	106	141	183	279			
2200	5.53	15.2	29.3	57.6	86.4	115	155	202				
2400	6.03	16.6	31.9	62.8	94.2	126	170					
2600	6.53	18.0	34.6	68.1	102	136	184					
2800	7.04	19.4	37.2	73.3	110	147						
<b>2880</b>	7.24	19.9	38.3	75.4	113	151						
3000	7.54	20.7	39.9	78.5	118	157						
3600	9.05	24.9	47.9	94.2								
NOMINAL TORQUE Nm	24	66	127	250	375	500	675	875	1330	2325	3770	6270
MAX TORQUE Nm	64	160	318	487	759	1096	1517	2137	3547	5642	9339	16455

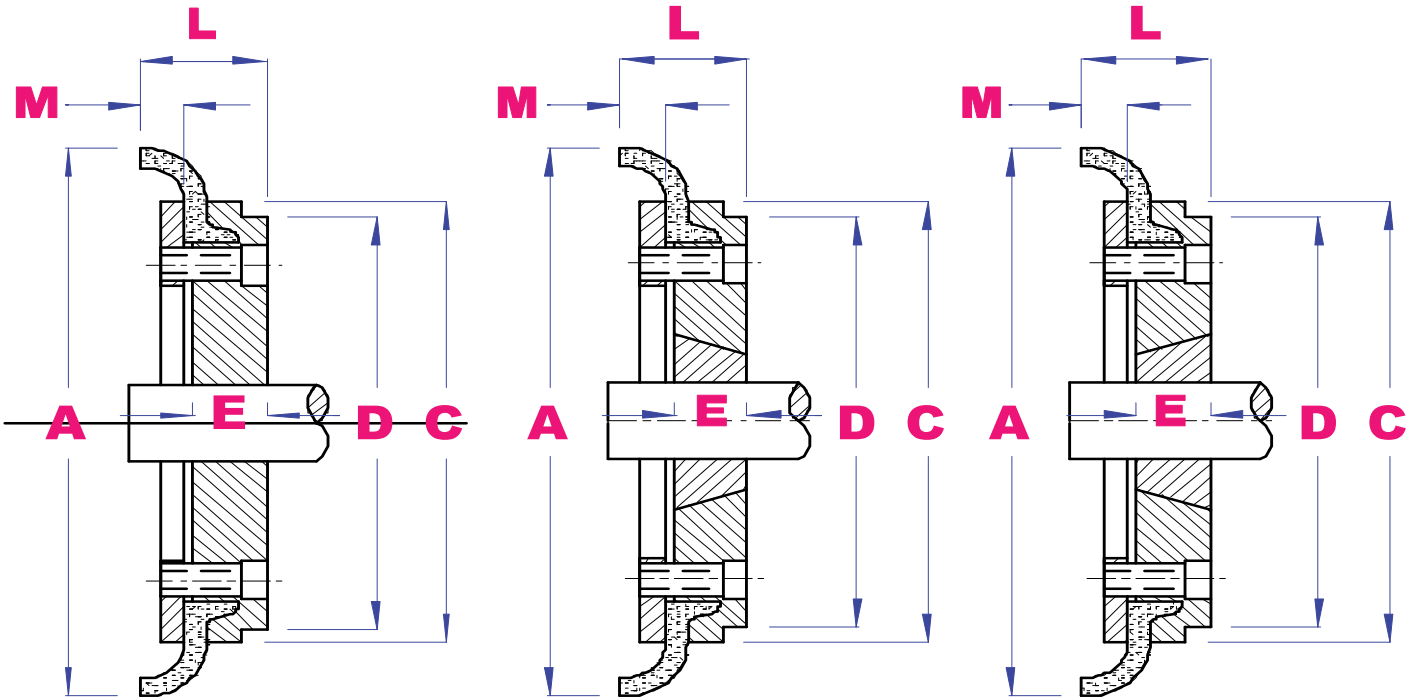
# TYRE COUPLING DIMENSIONS

## SIZES F40–F60

### PILOT BORE

### TYPE F

### TYPE H



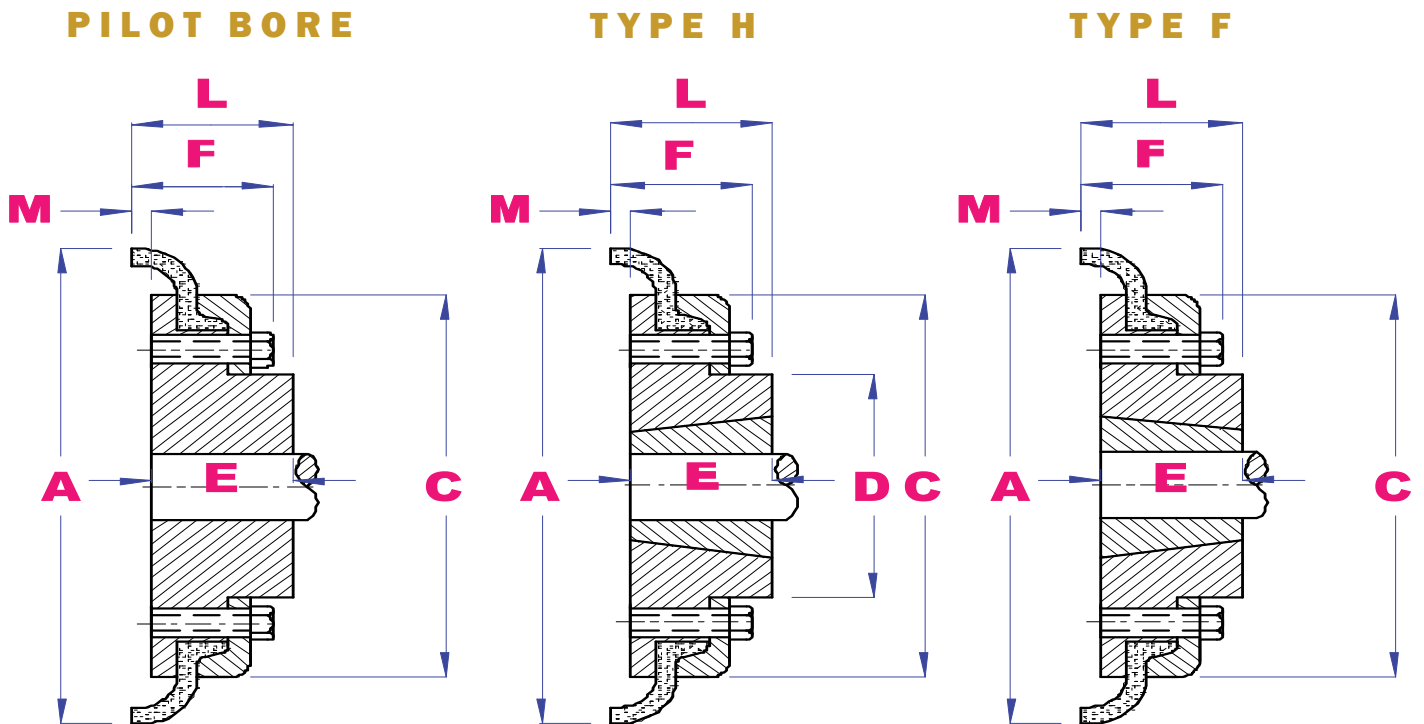
DIMENSIONS (mm)												
SIZE	TYPE	TAPER BUSH	MAX BORE		TYPE F & H		TYPE B		A	C	D	M
			mm	inch	L	E	L	E				
F40	B		32				33	22	104	82		11
F40	F	1008	25	1'	33	22			104	82		11
F40	H	1008	25	1'	33	22			104	82		11
F50	B		38				45	32	133	100	79	12.5
F50	F	1210	32	1.1/4'	38	25			133	100	79	12.5
F50	H	1210	32	1.1/4'	38	25			133	100	79	12.5
F60	B		45				55	38	165	125	70	16.5
F60	F	1610	42	1.5/8'	42	25			165	125	103	16.5
F60	H	1610	42	1.5/8'	42	25			165	125	103	16.5

**NOTE:** For speeds other than those listed, use the nominal torque rating from the above table.

$$\text{Required Torque (Nm)} = \frac{\text{Design power (kW)} \times 9555}{\text{Rev / min}}$$

# TYRE COUPLING DIMENSIONS

## SIZES F70–F180



DIMENSIONS (mm)

SIZE	TYPE	TAPER BUSH	MAX BORE		TYPE F & H		TYPE B		A	C	D	F	M
			mm	inch	L	E	L	E					
F70	B		50				47	35	187	142	80	50	11.5
F70	F	2012	50	2'	44	32			187	142	80	50	11.5
F70	H	1610	42	1.5/8'	42	55			187	142	80	50	11.5
F80	B		60				55	42	211	165	98	54	12.5
F80	F	2517	60	2.1/2'	58	45			211	165	98	54	12.5
F80	H	2012	50	2'	45	32			211	165	98	54	12.5
F90	B		70				63.5	49	235	188	108	60	13.5
F90	F	2517	60	2.1/2'	58.5	45			235	188	108	60	13.5
F90	H	2517	60	2.1/2'	58.5	45			235	188	108	60	13.5
F100	B		80				70.5	56	254	216	120	62	13.5
F100	F	3020	75	3'	64.5	51			254	216	125	62	13.5
F100	H	2517	60	2.1/2'	58.5	45			254	216	113	62	13.5
F110	B		90				75.5	63	279	233	128	62	12.5
F110	F	3020	75	3'	63.5	51			279	233	134	62	12.5
F110	H	3020	75	3'	63.5	51			279	233	134	62	12.5
F120	B		100				84.5	70	314	264	140	67	14.5
F120	F	3525	100	4'	79.5	65			314	264	144	67	14.5
F120	H	3020	75	3'	65.5	51			314	264	144	67	14.5
F140	B		130				110.5	94	359	311	178	73	16
F140	F	3525	100	4'	81.5	65			359	311	178	73	16
F140	H	3525	100	4'	81.5	65			359	311	178	73	16
F160	B		140				117	102	402	345	187	78	15
F160	F	4030	115	4.1/2'	92	77			402	345	197	78	15
F160	H	4030	115	4.1/2'	92	77			402	345	197	78	15
F180	B		150				137	114	470	394	205	94	23
F180	F	4535	125	5'	112	89			470	394	205	94	23
F180	H	4535	125	5'	112	89			470	394	205	94	23

# CONE RING COUPLING SELECTION

1. Select service factor by matching the driven unit with prime mover in the below service factor chart.
2. Multiply service factor by driven unit or motor kW to calculate adjusted kW.
3. Select Coupling with kW capacity equal to or greater than adjusted kW.

## SERVICE FACTOR CHART

DRIVEN UNIT (MACHINERY)	PRIME MOVER TYPE					
	ELECTRIC MOTORS STEAM TURBINES			INTERNAL COMBUSTION ENGINES STEAM ENGINES WATER TURBINES		
	HOURS OF DUTY PER DAY			HOURS OF DUTY PER DAY		
	8 AND UNDER	OVER 8 TO 16 INCLUSIVE	OVER 16	8 AND UNDER	OVER 8 TO 16 INCLUSIVE	OVER 16
<b>UNIFORM:</b> Agitators, brewing machinery, Centrifugal blowers, Conveyors, Fans, Pumps, Generators	1.00	1.12	1.25	1.00	1.40	1.60
<b>MODERATE SHOCK:</b> Clay working machinery, crane hoists, Laundry machinery, Wood working machinery, Machine tools, Rotary mills, paper mill machinery, Textile machinery	1.60	1.80	2.00	2.00	2.24	2.50
<b>HEAVY SHOCK:</b> Reciprocating conveyors, Crushers, Shakers, Metal mills, Rubber machinery, Reciprocating compressors, Welding sets.	2.50	2.80	3.12	3.12	3.55	4.00

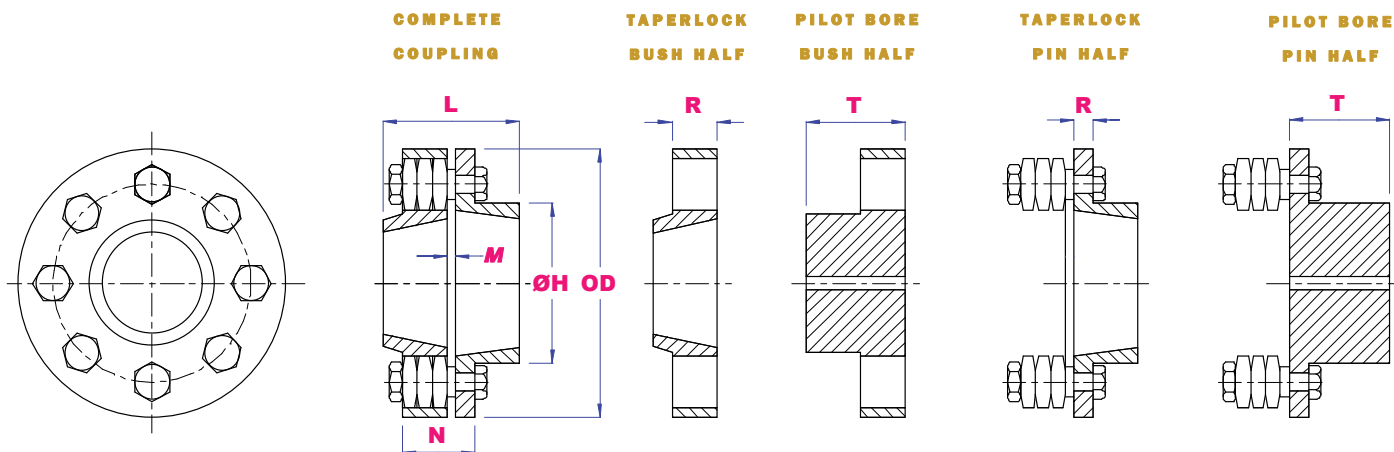
## RATINGS

RATINGS	MC030	MC038	MC042	MC048	MC058	MC070	MC075	MC085	MC105	MC120	MC135	MC150
POWER KW PER 100 RPM	1.16	1.87	2.84	4.93	7.54	10.7	25.7	35.5	53.0	90	122	160
POWER KW PER 720 RPM	8.4	13.5	20.4	35.5	54.3	77.0	185	255	381	648	878	1152
POWER KW PER 960 RPM	11.1	18.0	27.3	47.3	72.4	102	246	340	508	864	1171	1536
POWER KW PER 1440 RPM	16.7	26.9	40.9	71.0	108	154	370	511	763	1026	1756	2304
POWER KW PER 2880 RPM	33.4	53.9	81.8	142	217					2592	3513	4608
MAX SPEED RPM	4600	4400	4000	3400	3000	2700	2300	2090	1750	1570	1390	1290
TORQUE NOMINAL Nm	110	175	175	465	720	1020	2450	3390	5080	8500	11500	15300
TORQUE MAX Nm	220	350	350	930	1420	2040	4900	6780	10160	17000	23000	30400

NOTE: Complete coupling consists of 1 x pin half, 1 x bush half, 1 x pin/bush kit and taperlock bushes if taperlock hubs chosen.



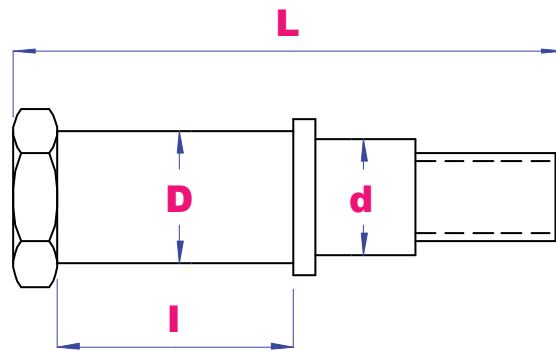
# CONE RING COUPLING DIMENSIONS



BORE	MC030	MC038	MC042	MC048	MC058	MC070	MC075	MC085	MC105	MC120	MC135	MC150
TAPERLOCK SIZE: PIN HALF			1610	2012	2517	3020		3535	4040	4040	4545	5050
TAPERLOCK SIZE: BUSH HALF			1210	1610	2012	2517		3030	3535	4040	4545	5050
MAX BORE TAPERLOCK: PIN HALF			42	50	65	75		90	100	100	110	125
MAX BORE TAPERLOCK: BUSH HALF			32	42	50	65		75	90	100	110	125
MAX BORE PILOT BORE: PIN HALF	38	42	48	55	65	80	85	90	115	120	135	150
MAX BORE PILOT BORE: BUSH HALF	30	38	42	48	58	70	75	85	105	110	125	135
<b>DIMENSIONS</b>												
D - OUTSIDE DIAMTER	127	132	146	171	193	216	254	279	330	370	419	457
H - HUB DIAMETER: PIN HALF	64	70	82	94	110	132	142	162	200	206	230	256
H - HUB DIAMETER: BUSH HALF	51	64	70	82	97	117	127	147	180	206	230	256
L - LENGTH (PILOT BORE)	88	102	118	128	142	159	183	207	241	270	300	336
L - LENGTH (TAPERLOCK)			56	63	82	102		172	198	209	235	260
M - GAP	6	6	6	6	6	7	7	7	7	7	7	7
R - FLANGE LENGTH: PIN HALF	12	12	12	17	17	17	30	30	30	46	46	46
R - FLANGE LENGTH: BUSH HALF	26	26	26	33	33	33	56	56	56	76	76	76
T - LTB PILOT BORE PIN & BUSH HALF	41	48	56	61	68	76	88	100	117	132	147	117
T - LTB TAPERLOCK PIN HALF			25	32	44	51		89	102	102	115	102
T - LTB TAPERLOCK BUSH HALF			25	25	32	44		76	89	102	115	89
<b>SPARES</b>												
NUMBER OF PINS PER COUPLING	4	6	8	6	8	10	8	10	12	10	12	14
NUMBER OF RUBBERS PER COUPLING	12	18	24	18	24	30	32	40	48	40	48	56
PIN SIZE	GC1-3	GC1-3	GC1-3	GC1.3/4.3	GC1.3/4.3	GC1.3/4.3	GC2.3/4.3	GC2.3/4.3	GC2.3/4.3	GC4.1/4.3	GC4.1/4.3	GC4.1/4.3
RING SIZE: RUBBER	GC1-4	GC1-4	GC1-4	GC1.3/4.4	GC1.3/4.4	GC1.3/4.4	GC2.3/4.4	GC2.3/4.4	GC2.3/4.4	GC4.1/4.4	GC4.1/4.4	GC4.1/4.4
PIN & RUBBER SET	GC1-5	GC1-5	GC1-5	GC1.3/4.5	GC1.3/4.5	GC1.3/4.5	GC2.3/4.5	GC2.3/4.5	GC2.3/4.5	GC4.1/4.5	GC4.1/4.5	GC4.1/4.5
<b>WEIGHT</b>												
PILOT BORE COUPLING (kg)	3.5	5.0	6.3	4.0	14	20	37	49	77	120	163	210
TAPERLOCK COUPLING (kg)			5.5	9.0	11		44	14.2	72	108	144	181

# CONE RING PIN/BUSH DIMENSIONS

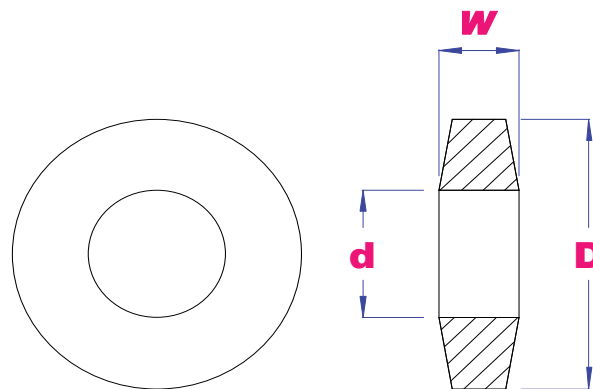
## PIN



DIMENSIONS (mm)

PIN No.	L	D	d	l
GC3/4-4	48	10	9.5	11
GC1-4	58.2	12.8	12.7	23.5
GC1.3/4-4	75	18	15.9	31.2
GC2.3/4-4	118.2	25.4	25.4	51.8
GC4.1/4-4	161	30.4	28.6	71.5

## BUSH



DIMENSIONS (mm)

BUSH No.	d	D	W
GC3/4-3	10	22.5	5.2
GC1-3	12.8	28	7
GC1.3/4-3	18	37.5	10
GC2.3/4-3	25	50.2	12.2
GC4.1/4-3	30.2	62.3	17.5

# RIGID COUPLINGS

## SELECTION

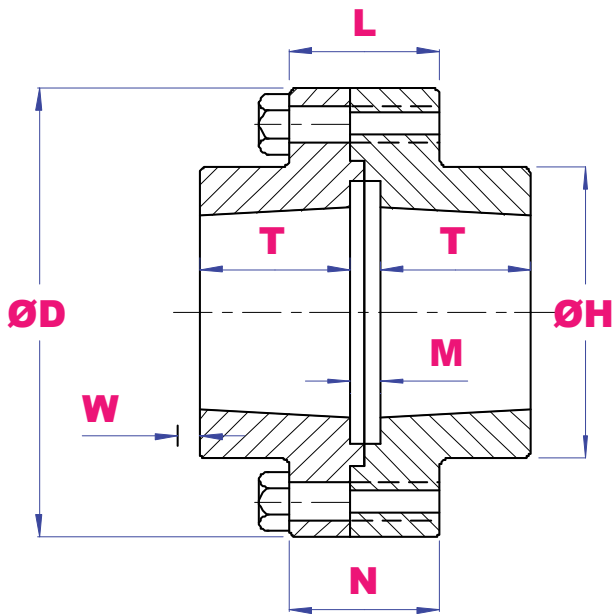
1. Select a size of coupling to fit the larger of driven or driving shafts.
2. For heavy applications, select the next size up from the above selection.

### NOTE:

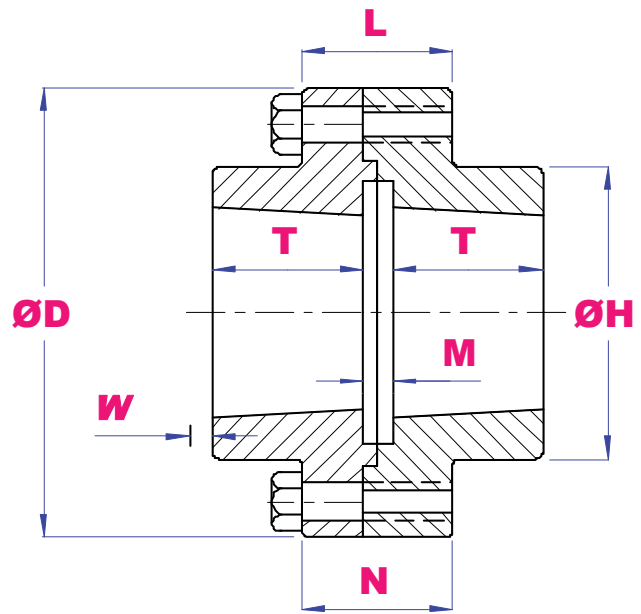
FF assemblies to be used on vertical shafts, FF and HF can be used on horizontal shafts.

Rigid Couplings are supplied as complete assemblies in either HF or FF configuration.

### TYPE FF



### TYPE HF



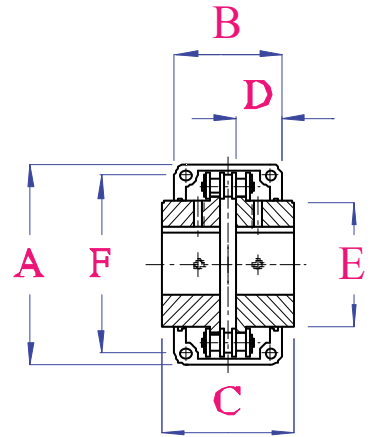
DIMENSIONS (mm)	COUPLING SIZE						
	RM12	RM16	RM25	RM30	RM35	RM40	RM50
BUSH SIZE: F & H FLANGES	1210	1615	2517	3030	3535	4040	5050
MAX. BORE: F & H FLANGES	32	42	65	75	90	100	125
D - OUTSIDE DIAMETER	118	127	178	216	248	298	362
H - HUB DIAMETER	83	80	123	146	178	210	266
L - ASSEMBLED LENGTH	57	83	97	159	185	210	260
M - GAP	7	7	7	7	7	7	7
N - OUTER LENGTH	35	43	51	65	75	76	92
W - WRENCH CLEARANCE	38	38	48	54	67	79	92
WEIGHT (kg)	2.9	3.8	8.8	18.2	28.8	47.3	89.1

# CHAIN COUPLINGS

## SELECTION

The torque capacity of the chain coupling generally exceeds the normal torque transmitted by the largest shaft size the coupling can accommodate. Therefore, select the smallest coupling which will accommodate both shaft diameters.

Where reverse operation, shock loads or any other severe condition occurs, select the next size coupling up from the above selection method.



## OPERATION

The space between the cover and chain should be filled with a soft to medium consistency grease.

To ensure maximum service life from the chain coupling, the cover and 'o' rings should always be used especially if the drive is operating at high speeds or in a moist environment.

SIZE	CHAIN SIZE	BORE		CASING O.D A	CASING WIDTH B	ASSEMBLED WIDTH C	HUB LENGTH D	HUB DIAMETRE E	BOLT CENTRES F	TORQUE RATINGS Nm	MASS KG
		MIN	MAX								
CC3012	35-2	12	15	70	62	65	28	25	57	150	0.5
CC4012	40-2	12	20	78	72	78	36	31	61	210	1.0
CC4014	40-2	12	25	85	75	80	36	43	72	300	1.4
CC4016	40-2	14	30	92	75	80	36	50	77	380	1.8
CC5014	50-2	14	35	101	84	100	45	53	82	550	2.5
CC5016	50-2	16	40	111	85	100	45	60	92	725	3.2
CC5018	50-2	16	45	123	85	100	45	70	106	925	4.0
CC6018	60-2	20	55	144	106	122	54	85	122	1750	7.2
CC6020	60-2	20	70	160	108	123	54	98	132	2050	9.5
CC6022	60-2	25	75	168	116	123	54	110	145	2400	11.3
CC8018	80-2	30	75	190	128	140	67	110	160	3800	14.7
CC8020	80-2	30	85	211	138	144	67	120	184	4700	18.2
CC8022	80-2	35	95	226	138	155	67	140	196	5500	23.3
CC10020	100-2	40	110	280	152	176	91	160	250	8700	36.0
CC12018	120-2	40	120	305	180	196	119	170	280	13250	49.0
CC12022	120-2	40	150	355	180	220	119	210	335	17800	77.0

# TAPERLOCK INSTALLATION

## TO ASSEMBLE

1. Clean and degrease the bore and surfaces of the bush and tapered bore of the hub. Insert the bush into the hub and line up the holes (half thread holes must line up with half unloading holes).
2. Lightly oil the grub screws and screw in but do not tighten yet.
3. Fit the hub with taper bush on the shaft and place in desired position.
4. When using a key, it should be first fitted in the shaft keyway. There should be a top clearance between the key and keyway bore.
5. Gradually tighten the screws in accordance with the torques in the table.
6. When the drive has been operating under load for a short period of time, check and ensure that the screws remained at the appropriate tightening torque.

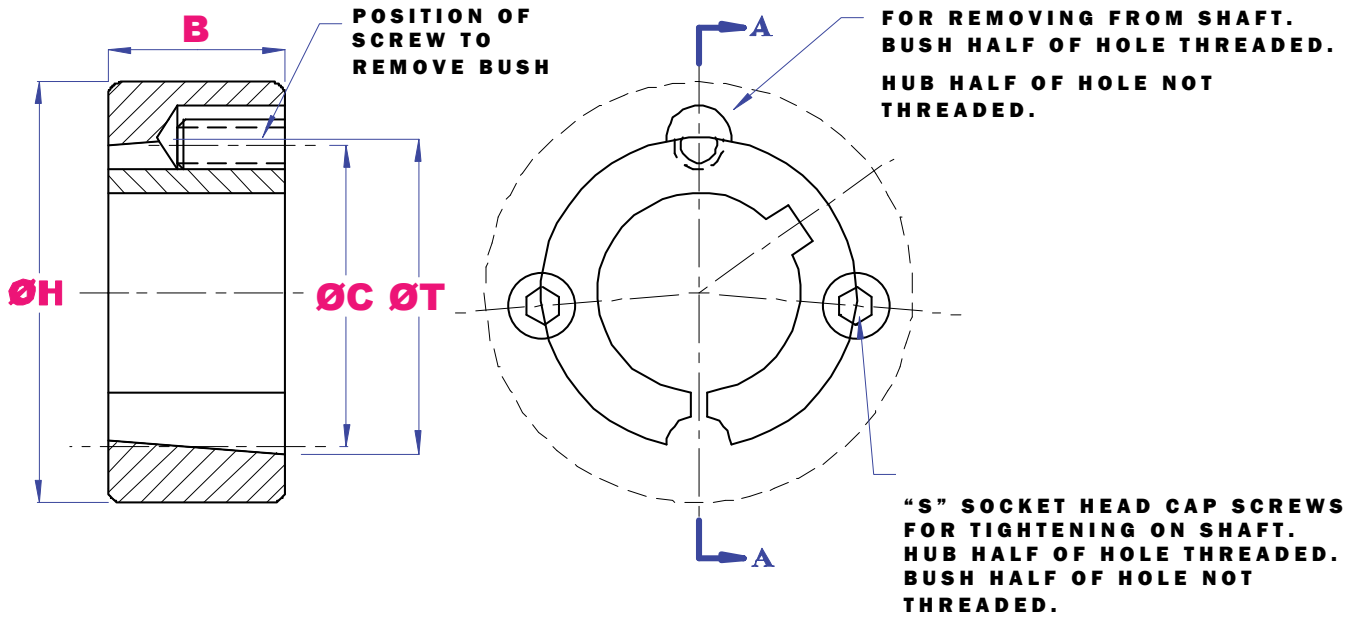
## TO REMOVE

1. Loosen and remove all screws and place them in the other hole/s of the bushing.
2. Tighten the screws alternatively till the hub's grip on the bush is loosened. The inner bore of the bushing can be slid on the shaft.
3. Remove the bush from the shaft.

TPERLOCK BUSH	SCREW TIGHTENING TORQUE (Nm)	SCREW QUANTITY	SCREW SIZE
1008 1108	5.6	2	1/4 BSW
1210 1215	20	2	3/8 BSW
1610 1615	20	2	3/8 BSW
2012	31	2	7/16 BSW
2517	48	2	1/2 BSW
3020 3030	90	2	5/8 BSW
3535	112	3	1/2 BSW
4030 4040	170	3	5/8 BSW
4545	192	3	3/4 BSW
5050	271	3	7/8 BSW

# TAPERLOCK DIMENSIONS

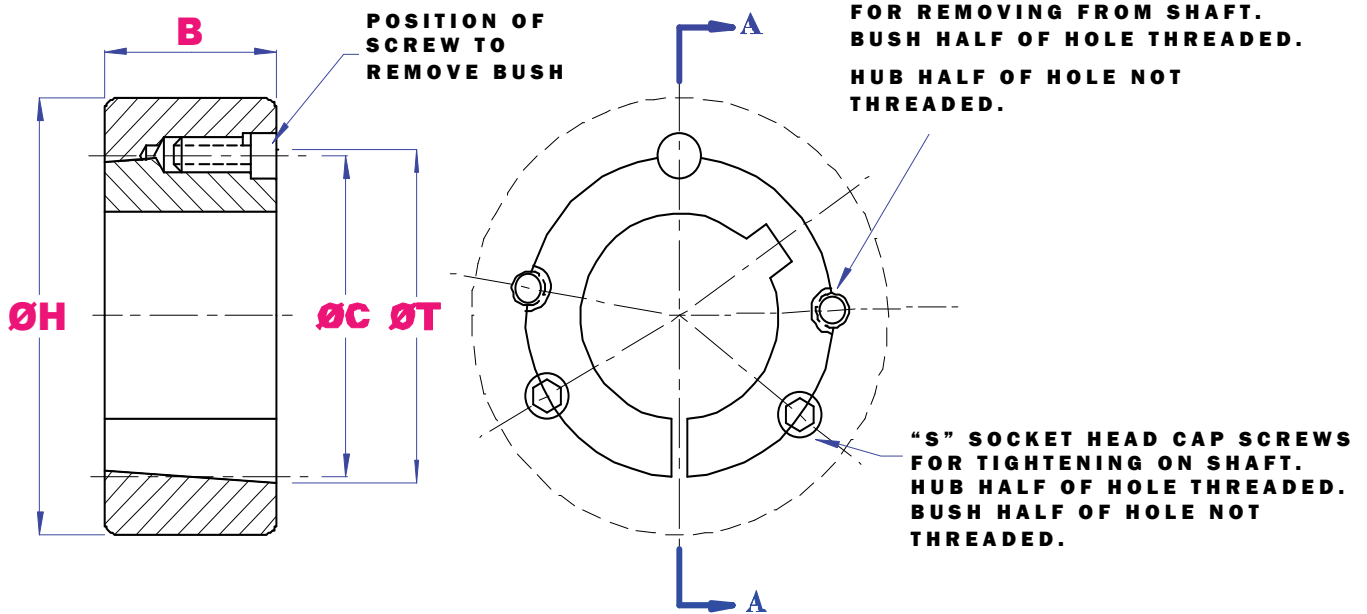
SIZES 1008 - 3030



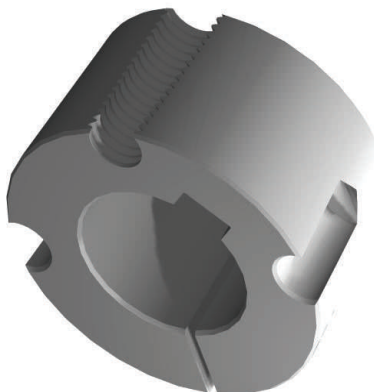
DIMENSIONS (mm)				
TAPERLOCK BUSH	T	B	H	C
1008	35.2	22.2	60.3	33.7
1108	38.4	22.2	63.5	36.9
1210	47.6	25.4	92.1	44.5
1215	47.6	38.1	79.4	44.5
1610	57.2	25.4	101.6	54.0
1615	57.2	38.1	88.9	54.0
2012	69.9	31.8	120.7	66.7
2017	69.9	44.8	111.9	66.7
2517	85.7	44.5	139.7	82.6
2525	85.7	63.5	120.7	82.6
3020	108.0	50.8	177.8	101.6
3030	108.0	76.2	158.8	101.6

# TAPERLOCK DIMENSIONS

SIZES 3525 - 5050



DIMENSIONS (mm)				
TAPERLOCK BUSH	T	B	H	C
3525	127.0	63.5	197.0	123.0
3535	127.0	89.0	197.0	123.0
4030	146.0	76.2	241.0	141.0
4040	146.0	102.0	241.0	141.0
4535	161.0	89.0	267.0	156.0
4545	161.0	114.0	267.0	156.0
5040	178.0	101.6	292.0	171.0
5050	178.0	127.0	292.0	171.0





DISTRIBUTED BY:



**UNIVERSAL**  
BEARING COMPANY