

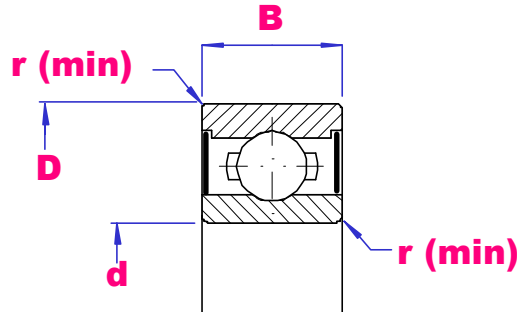


UBC

16000 SERIES BALL BEARINGS 12 – 200 MM ID



Quality
Endorsed
Company
ISO 9001:2000
LIC QEC20818



PART NO	d mm	D mm	B mm	r _{min} mm	Load D-kN	Load S-kN	Limiting speed		Wgt g
							Open	zz	
16001	12	28	7	0.3	5.11	2.37	32000	28000	19
16002	15	32	8	0.3	5.59	2.83	28000	24000	27
16003	17	35	8	0.3	6.01	3.25	26000	22000	33
16004	20	42	8	0.3	7.91	4.45	20000	18000	48
16005	25	47	8	0.3	8.85	5.61	18000	15000	59
16006	30	55	9	0.3	11.2	7.35	15000	13000	87
16007	35	62	9	0.3	11.7	8.20	13000	11000	107
16008	40	68	9	0.3	12.6	9.65	12000	10000	131
16009	45	75	10	0.6	14.9	11.4	11000	9000	167
16010	50	80	10	0.6	15.4	12.4	10000	8500	175
16011	55	90	11	0.6	19.4	16.3	9000	-	257
16012	60	95	11	0.6	20.2	17.5	8500	-	281
16013	65	100	11	0.6	20.5	18.7	8000	-	301
16014	70	110	13	0.6	26.8	23.6	7100	-	437
16015	75	115	13	0.6	27.6	25.3	6700	-	463
16016	80	125	14	0.6	32	31	6300	-	607
16017	85	130	14	0.6	34	33.5	6000	-	621
16018	90	140	16	1.0	41.5	39	5600	-	853
16019	95	145	16	1.0	43	40.5	5300	-	880
16020	100	150	16	1.0	44	44	5200	-	947
16021	105	160	18	1.0	54	54	4800	-	1200
16022	110	170	19	1.0	57.2	57	4500	-	1450
16024	120	180	19	1.0	60.5	64	4000	-	1610
16026	130	200	22	1.1	79.3	81.5	3800	-	2350
16028	140	210	22	1.1	80.6	86.5	3600	-	2520
16030	150	225	24	1.1	92.3	98	3200	-	3150
16032	160	240	25	1.5	99.5	108	3000	-	3250
16034	170	260	28	1.5	119	129	2800	-	3420
16036	180	280	31	1.5	138	146	2600	-	6600
16038	190	290	31	2.0	148	166	2500	-	7930
16040	200	310	34	2.0	168	190	2400	-	8850