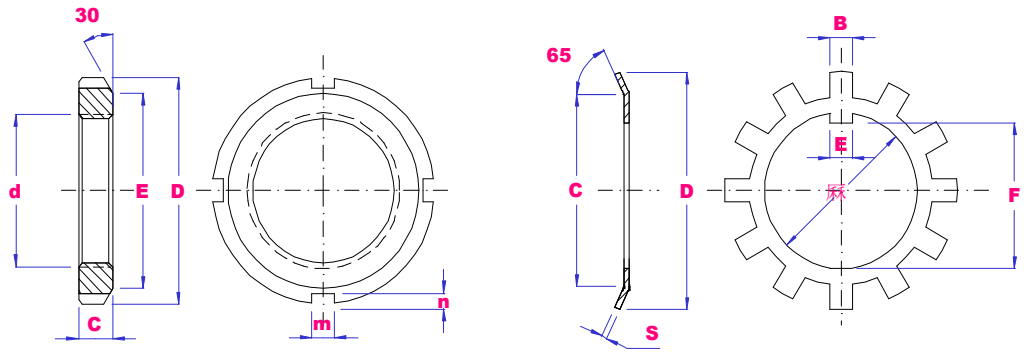


# UBC



## LOCK NUTS TAB WASHERS



PART NO	d	D	C	E	M	N	Wgt kg	PART NO	d	D	C	S	E	F	B	Wgt g
KM00	M10X.75	18	4	13.5	3	2	0.004	MB00	10	21	13.5	1	3	8.5	3	1.31
KM01	M12X1	22	4	17	3	2	0.007	MB01	12	25	17	1	3	10.5	3	1.92
KM02	M15X1	25	5	21	4	2	0.010	MB02	15	28	21	1	4	13.5	4	2.53
KM03	M17X1	28	5	24	4	2	0.013	MB03	17	32	24	1	4	15.5	4	3.13
KM04	M20X1	32	6	26	4	2	0.019	MB04	20	36	26	1	4	18.5	4	3.5
KM05	M25X1.5	38	7	32	5	2	0.025	MB05	25	42	32	1.25	5	23.0	5	6.4
KM06	M30X1.5	45	7	38	5	2	0.043	MB06	30	49	38	1.25	5	27.5	5	7.8
KM07	M35X1.5	52	8	44	5	2	0.053	MB07	35	57	44	1.25	6	32.5	5	10.4
KM08	M40X1.5	58	9	50	6	2.5	0.085	MB08	40	62	50	1.25	6	37.5	6	12.3
KM09	M45X1.5	65	10	56	6	2.5	0.119	MB09	45	69	56	1.25	6	42.5	6	15.2
KM10	M50X1.5	70	11	61	6	2.5	0.148	MB10	50	74	61	1.25	6	47.5	6	16.0
KM11	M55X2	75	11	67	7	3	0.158	MB11	55	81	67	1.5	8	52.5	7	19.6
KM12	M60X2	80	11	73	7	3	0.174	MB12	60	86	73	1.5	8	57.5	7	25.3
KM13	M65X2	85	12	79	7	3	0.203	MB13	65	92	79	1.5	8	62.5	7	29.0
KM14	M70X2	92	12	85	8	3.5	0.242	MB14	70	98	85	1.5	8	66.5	8	33.4
KM15	M75X2	98	13	90	8	3.5	0.287	MB15	75	104	90	1.5	8	71.5	8	35.6
KM16	M80X2	105	15	95	8	3.5	0.397	MB16	80	112	95	1.8	10	76.5	8	46.4
KM17	M85X2	110	16	102	8	3.5	0.451	MB17	85	119	102	1.8	10	81.5	8	52.5
KM18	M90X2	120	16	108	10	4	0.556	MB18	90	126	108	1.8	10	86.5	10	62.3
KM19	M95X2	125	17	113	10	4	0.658	MB19	95	133	113	1.8	10	91.5	10	67.0
KM20	M100X2	130	18	120	10	4	0.698	MB20	100	142	120	1.8	12	96.5	10	76.5
KM21	M105X2	140	18	126	12	5	0.846	MB21	105	145	126	1.8	12	100.5	12	82.6
KM22	M110X2	145	19	133	12	5	0.965	MB22	110	154	133	1.8	12	105.5	12	94.0
KM23	M115X2	150	19	137	12	5	1.01	MB23	115	159	137	2	12	110.5	12	103
KM24	M120X2	155	20	138	12	5	1.08	MB24	120	164	138	2	14	115	12	105
KM25	M125X2	160	21	148	12	5	1.19	MB25	125	170	148	2	14	120	12	118
KM26	M130X2	165	21	149	12	5	1.25	MB26	130	175	149	2	14	125	12	113
KM27	M135X2	175	22	160	14	6	1.55	MB27	135	185	160	2	14	130	14	144
KM28	M140X2	180	22	160	14	6	1.56	MB28	140	192	160	2	16	135	14	142
KM29	M145X2	190	24	171	14	6	1.80	MB29	145	202	171	2	16	140	14	168
KM30	M150X2	195	24	171	14	6	2.03	MB30	150	205	171	2	16	145	14	155
KM31	M155X3	200	25	182	16	7	2.30	MB31	155	212	182	2.5	16	147.5	16	209
KM32	M160X3	210	25	182	16	7	2.59	MB32	160	217	182	2.5	18	154	16	222
KM33	M165X3	210	26	193	16	7	2.70	MB33	165	222	193	2.5	18	157.5	16	241
KM34	M170X3	220	26	193	16	7	2.80	MB34	170	232	193	2.5	18	164	16	247
KM36	M180X3	230	27	203	18	8	3.07	MB36	180	242	203	2.5	20	174	18	258
KM38	M190X3	240	28	214	18	8	3.39	MB38	190	252	214	2.5	20	184	18	278
KM40	M200X3	250	29	226	18	8	3.69	MB40	200	262	226	2.5	20	194	18	293
KM44	TR220X4	280	32	250	20	10	5.35	MB44	220	292	250	3.0	24	213	20	400
KM48	TR240X4	300	34	270	20	10	6.20	MB48	240	312	270	3.0	24	233	20	400