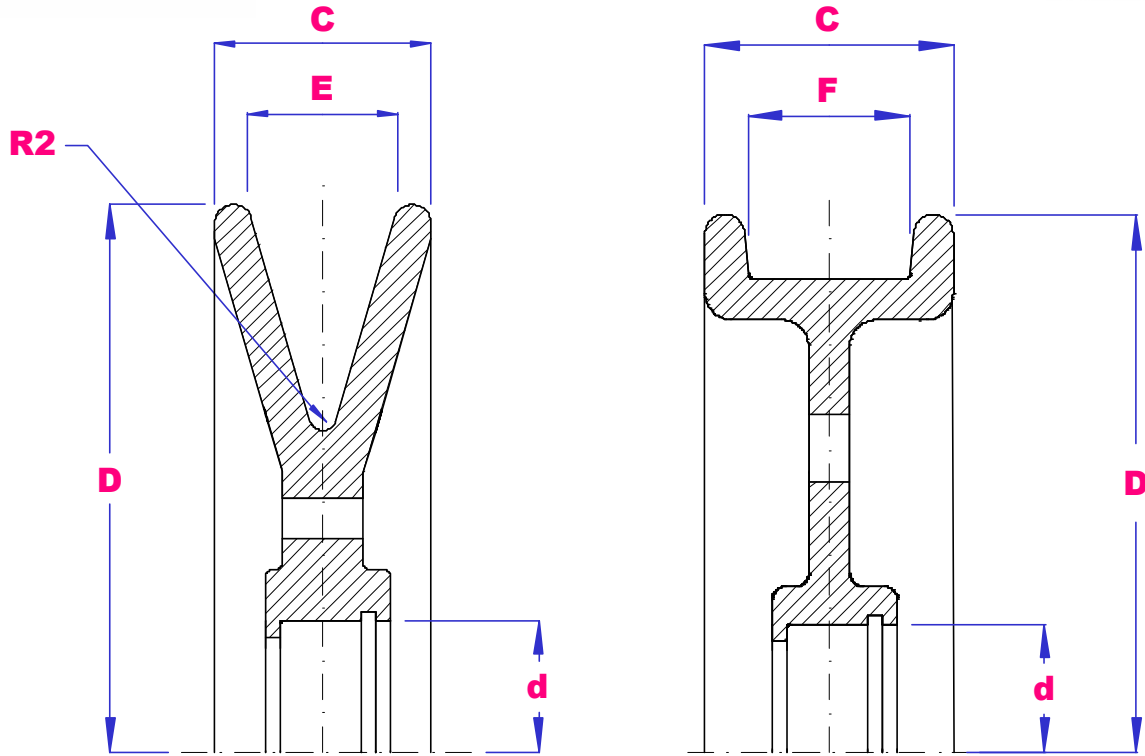




# UBC

## FLAT AND VEE IDLER PULLEYS



PART NO	TYPE	*d mm	D mm	C mm	E mm	F mm	BELT SECTION
SP9047VI	VEE	47	90	20	12	-	A/10A/11A/13A
SP11140VI	VEE	40	111	23	16	-	A / B
SP11740FI	FLAT	40	117	36.5	-	25.4	A / B / C
SP12840VI	VEE	40	128	31.8	22.15	-	A / B / C
SP15840FI	FLAT	40	158	36.5	-	25.4	A / B / C
SP16240VI	VEE	40	162	31.8	22.15	-	A / B / C

### MATERIALS

\*d47 MACHINED STEEL ZINC PLATED

\*d40 MACHINED CAST IRON PAINTED

### SUITABLE BEARING RANGE

	STANDARD BALL	AGRICULTURAL	WIDE INNER RING
*d 40	14,16,17,19MM. 1/2", 9/16", 5/8", 3/4	203KRR5 13.08MM - 1/2" 203KRR2 16.25MM - 5/8"	CSA203-12,15,17, CSA203-1/2",5/8",11/16" CSB203-10,12,15,17MM CSB203 1/2", 5/8
*d 47	15,17,20,25,30,35MM 5/8,3/4,7/8,1'	204KRR2 11/16HEX	CSA204- 20MM, 3/4" CSB204- 15,20MM CSB204- 1/2,5/8,3/4"