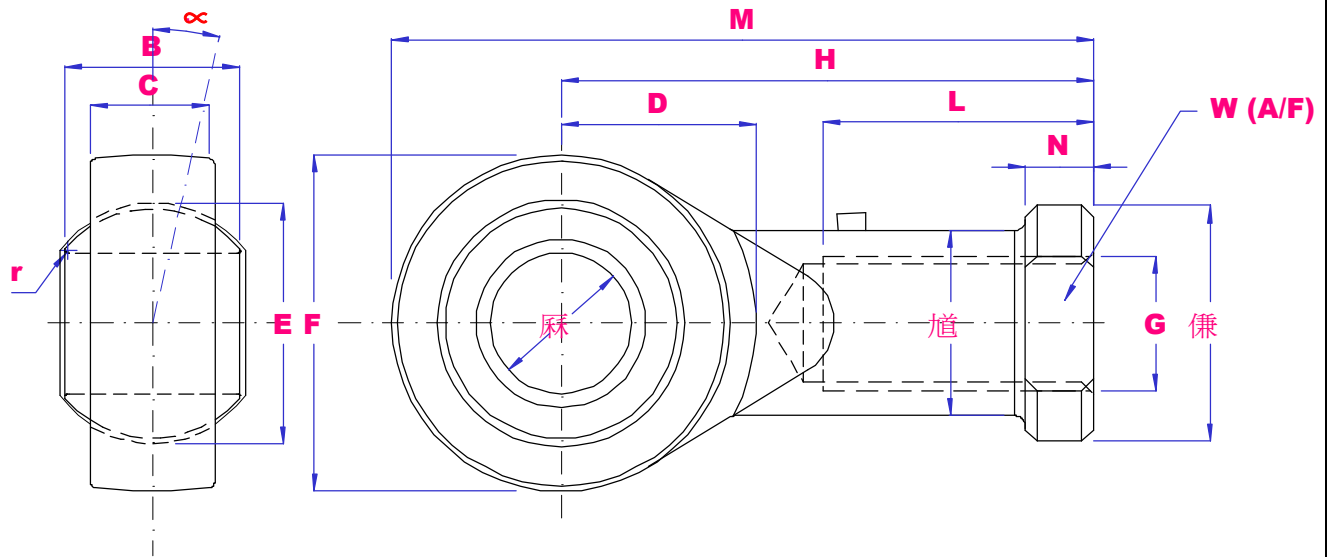




**STAINLESS STEEL
METRIC FEMALE
RODENDS
STEEL / TEFLON**



PART NO	d	B	E	C	F	G 6H	H	L	M	N	D	W	P	S	r	α deg	Load kN		Wgt g
																	Dyn	Stat	
SIJK5CX	5	8	11.1	6	16	M5X0.8	27	14	35	4	8	9	9	11	0.3	13	3.3	4.1	16
SIJK6CX	6	9	12.7	6.75	18	M6X1	30	14	39	5	9	11	10	13	0.3	13	4.3	5.3	26
SIJK8CX	8	12	15.9	9	22	M8X1.25	36	17	47	5	11	14	12.5	16	0.3	14	6.8	8.5	44
SIJK10CX	10	14	19.0	10.5	26	M10X1.5	43	21	56	6.5	13	17	15	19	0.3	14	10	11	72
SIJK10B1CX	10	14	19.0	10.5	26	M10X1.25	43	21	56	6.5	13	17	15	19	0.3	14	10	11	72
SIJK12CX	12	16	22.2	12	30	M12X1.75	50	24	65	6.5	15	19	17.5	22	0.3	13	13	14	108
SIJK12B2CX	12	16	22.2	12	30	M12X1.25	50	24	65	6.5	15	19	17.5	22	0.3	13	13	14	108
SIJK14CX	14	19	25.4	13.5	34	M14X2	57	27	74	8	16	22	20	25	0.3	16	17	20	161
SIJK16CX	16	21	28.6	15	38	M16X2	64	33	83	8	17.5	22	22	27	0.3	15	21	25	225
SIJK16B1CX	16	21	28.6	15	38	M16X1.5	64	33	83	8	17.5	22	22	27	0.3	15	21	25	225
SIJK18CX	18	23	31.8	16.5	42	M18X1.5	71	36	92	10	19.5	27	25	31	0.6	15	26	30	295
SIJK20CX	20	25	34.9	18	46	M20X1.5	77	40	100	10	21.5	30	27.5	34	0.6	15	31	35	382

**STAINLESS BODY 304, BALL 440C, MAINTENANCE FREE TEFLON BEARING
FOR LEFT HAND THREAD USE PART NO SILJK-CX**