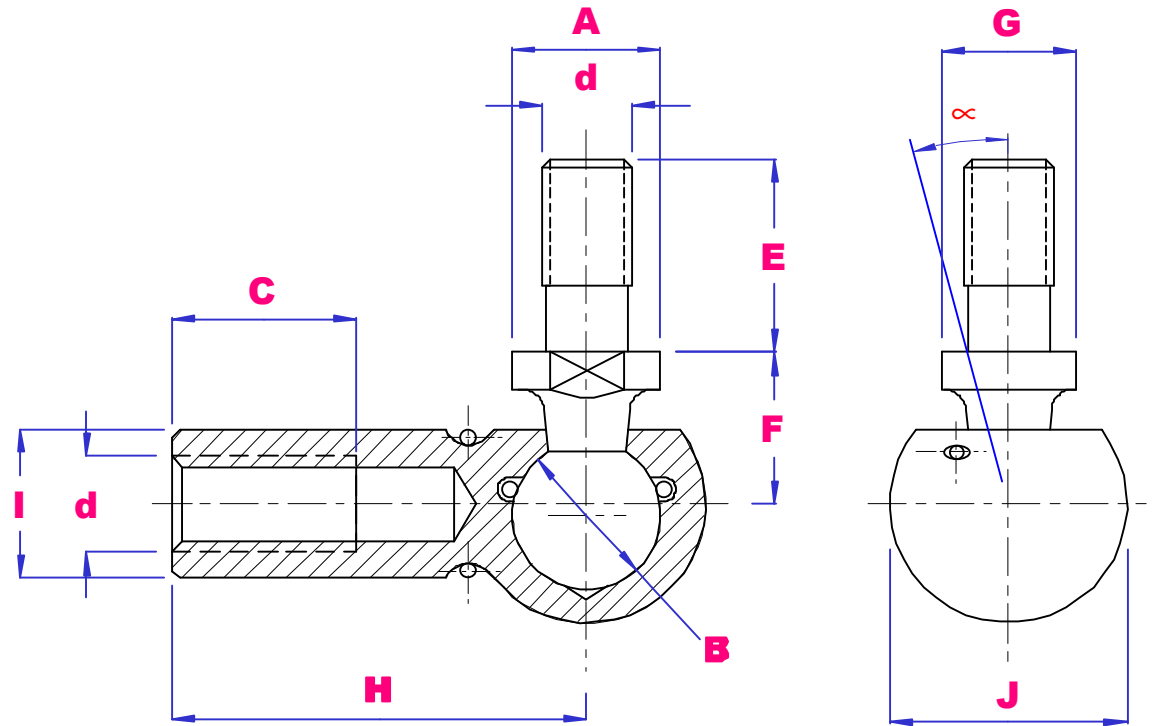




**SQG METRIC  
SEPARABLE  
STUD TYPE RODENDS  
STEEL / STEEL**



| PART NO | d mm | A mm | B mm | C mm | E mm | F mm | G mm | H mm | I mm | J mm | $\alpha$ deg | Load kN stat | Wgt g |
|---------|------|------|------|------|------|------|------|------|------|------|--------------|--------------|-------|
| SQG5    | 5    | 8    | 8    | 10.2 | 10.2 | 9    | 7    | 22   | 8    | 12.8 | 10           | 2.2          | 15    |
| SQG6    | 6    | 10   | 10   | 11.5 | 12.5 | 11   | 8    | 25   | 10   | 14.8 | 15           | 3.5          | 25    |
| SQG8    | 8    | 14   | 14   | 14   | 16.5 | 13   | 11   | 30   | 13   | 19.3 | 15           | 6.6          | 53    |
| SQG10   | 10   | 16   | 16   | 15.5 | 20   | 16   | 13   | 35   | 16   | 24   | 15           | 10           | 104   |
| SQG12   | 12   | 16   | 16   | 15.5 | 20   | 16   | 13   | 35   | 16   | 24   | 15           | 16           | 104   |
| SQG14   | 14   | 19   | 19   | 21.5 | 28   | 20   | 16   | 45   | 22   | 30   | 15           | 19           | 221   |
| SQG14B5 | 14   | 19   | 19   | 21.5 | 28   | 20   | 16   | 45   | 22   | 30   | 15           | 26           | 221   |

THE FULL RANGE IS AVAILABLE IN LEFT HAND THREAD USE PART NO SQGL-RS