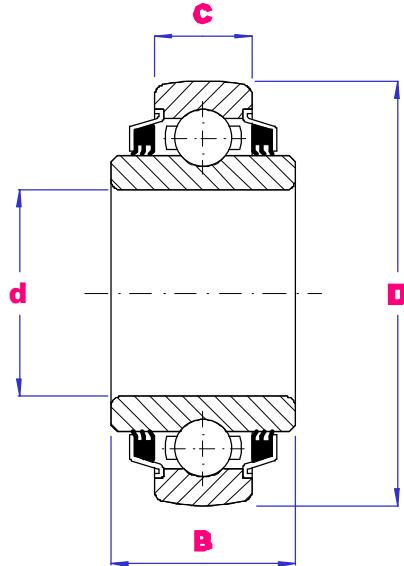




UBC

PLOUGH BEARINGS ROUND BORE SPHERICAL OD



PART NO	d mm / inch	D mm	B mm	C mm	Wgt kg
205PPB7	23.81 - 15/16	52	34.92	15.00	0.21
RE205PPB7S	25.40 - 1.00	52	34.92	15.00	0.19
206KRRB3	28.58 - 1.1/8	62	24.00	16.00	0.22
206KRRB9	25.4 - 1.00	62	24.00	16.00	0.29
W208PPB7	30.18 - 1.3/16	80	30.18	18.00	0.64
W208PPB2	38.11 - 1.1/2	80	42.86	18.00	0.72
W208PPB23	38.11 - 1.1/2	80	42.86	30.18	0.68
208NPPB5	36.53 - 1.7/16	80	22.00	22.00	0.48
G/W208PPB4	30.18 - 1.3/16	80	30.18	30.18	0.72
G/W209PPB2	45.00	85	30.18	30.18	0.65
G/W209PPB4	39.00	85	30.18	30.18	0.75
GW209PPB11	45.24 - 1.3/4	85	36.53	22.00	0.64
G/W210PPB2	49.23 - 1.15/16	90	30.18	30.18	0.71
G/W210PPB5	45.34 - 1.3/4	90	30.18	30.18	0.79
G/W211PPB2	55.58 - 2.3/16	100	33.34	33.34	0.97
GW211PPB10	49.23 - 1.15/16	100	33.34	33.34	1.02
GW211PPB13	45.34 - 1.3/4	100	33.34	25.00	0.92
GW211PPB14	51.18 - 2.00	100	33.34	25.00	0.91
GW211PPB8	55.58 - 2.3/16	100	33.34	25.00	0.84
GW211PPB9	55.75 - 2.3/16	100	39.69	25.00	0.92
GW214PPB2	70.00 - 2.3/4	125	39.69	39.69	1.81
GW214PPB3	49.23 - 1.15/16	125	39.69	39.69	2.24
GW214PPB5	70.00 - 2.3/4	125	61.90	39.69	2.16
GW214PPB6	68.28 - 2.11/16	125	68.28	28.00	2.16
W214PPB9	70.26 - 2.3/4	125	44.45	28.00	1.81