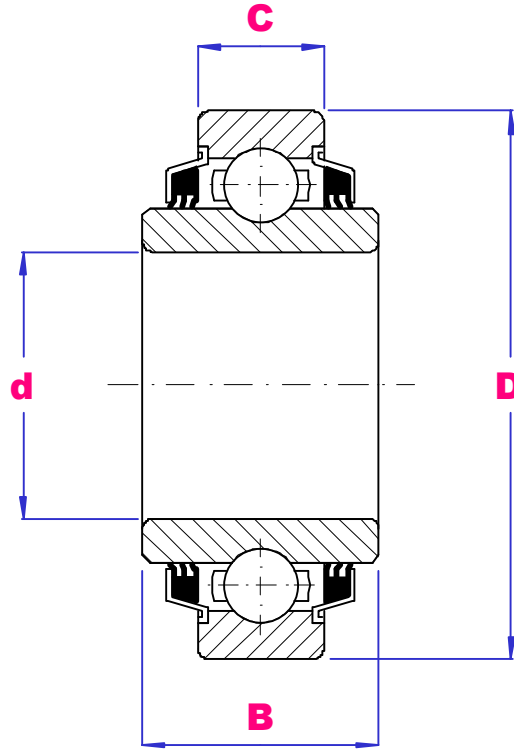




# UBC

## PLOUGH BEARINGS ROUND BORE CYLINDRICAL OD



PART NO	d mm / inch	D mm	B mm	C mm	Wgt kg
206KRR13	19.05 - 3/4	62	24.00	16.00	0.33
W208PP10	38.11 - 1.1/2	80	42.86	21.00	0.68
GW210PP3	35.73 - 1.3/8	90	30.18	30.18	0.85
W210PP8	38.86 - 1.1/2	90	30.18	30.18	0.96
W210PP2	49.23 - 1.15/16	90	30.18	30.18	0.77
GW210PP9	49.4 - 1.15/16	90	36.53	23.00	0.68
W211PP2	55.58 - 2.3/16	100	33.34	33.34	0.92
G/W214PP2	70.00 - 2.3/4	125	39.69	39.69	1.74
GW216PP5	63.88 - 2.1/2	140	63.5	30.00	3.54