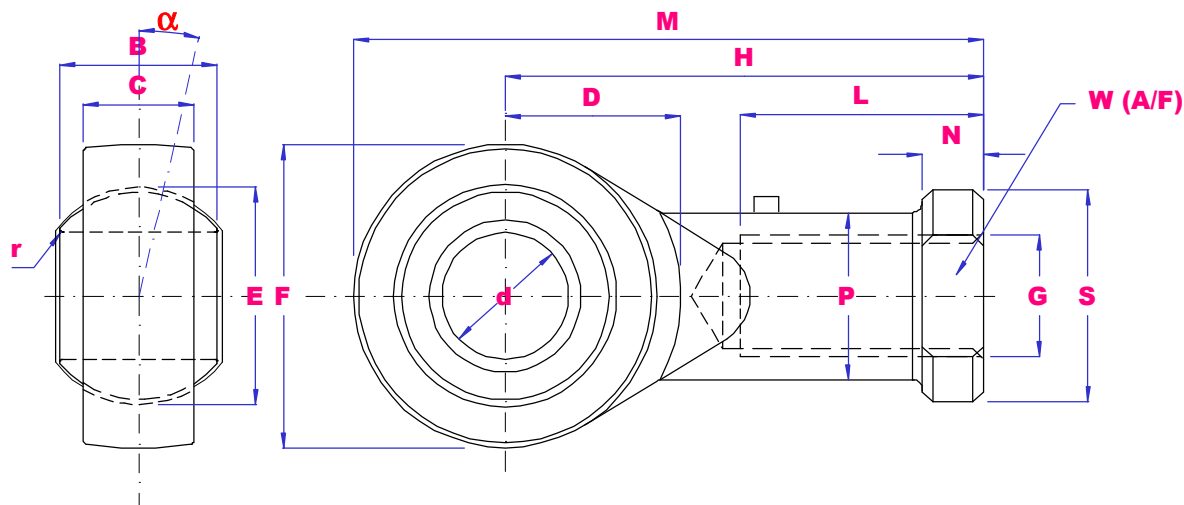




# METRIC FEMALE RODENDS STEEL / TEFLON



PART NO	d	B	E	C	F	G 6H	H	L	M	N	D	W	P	S	r	α deg	Load kN		Wgt g
																	Dyn	Stat	
SIJK5	5	8	11.1	7.5	18	M5X0.8	27	8	36	4	10	10	9	12	0.3	4	3.6	4.6	24
SIJK6	6	9	12.7	7.5	20	M6X1	30	9	40	5	11	10	10	13	0.3	9	4.7	5.2	28
SIJK8	8	12	15.9	9.5	24	M8X1.25	36	12	48	5	13	13	12.5	16	0.3	12	7.6	8.2	53
SIJK10	10	14	19.0	11.5	30	M10X1.5	43	15	58	6.5	16	16	15	19	0.3	10	12	15	110
SIJK10B1	10	14	19.0	11.5	30	M10X1.25	43	15	58	6.5	16	16	15	19	0.3	10	12	15	110
SIJK12	12	16	22.2	12.5	34	M12X1.75	50	18	67	6.5	18	18	17.5	22	0.3	12	14	19	142
SIJK12B2	12	16	22.2	12.5	34	M12X1.25	50	18	67	6.5	18	18	17.5	22	0.3	12	14	19	142
SIJK14	14	19	25.4	14.5	38	M14X2	57	21	76	8	20	21	20	25	0.3	14	19	24	203
SIJK14B1	14	19	25.4	14.5	38	M14X1.5	57	21	76	8	20	21	20	25	0.3	14	19	24	203
SIJK16	16	21	28.6	15.5	42	M16X2	64	24	85	8	21	24	22	27	0.3	14	23	29	254
SIJK16B1	16	21	28.6	15.5	42	M16X1.5	64	24	85	8	21	24	22	27	0.3	14	23	29	254
SIJK18	18	23	31.8	17.5	46	M18X1.5	71	27	94	10	22.5	27	25	31	0.6	13	29	34	353
SIJK20	20	25	34.9	18.5	50	M20X1.5	77	30	102	10	25	30	27.5	34	0.6	14	34	40	436
SIJK22	22	28	38.1	21	56	M22X1.5	84	33	112	12	27.5	34	30	37	0.6	14	42	50	612
SIJK25	25	31	42.86	23	60	M24X2	94	36	124	12	28.5	36	33.5	42	0.6	14	52	57	215
SIJK28	28	35	47.63	26	66	M27X2	103	41	136	14	31.5	41	37	46	0.6	14	66	69	1218
SIJK30	30	37	50.8	27	70	M30X2	110	45	145	15	33	46	40	50	0.6	15	73	77	1416

THE FULL RANGE IS AVAILABLE IN LEFT HAND THREAD USE PART NO SILJK