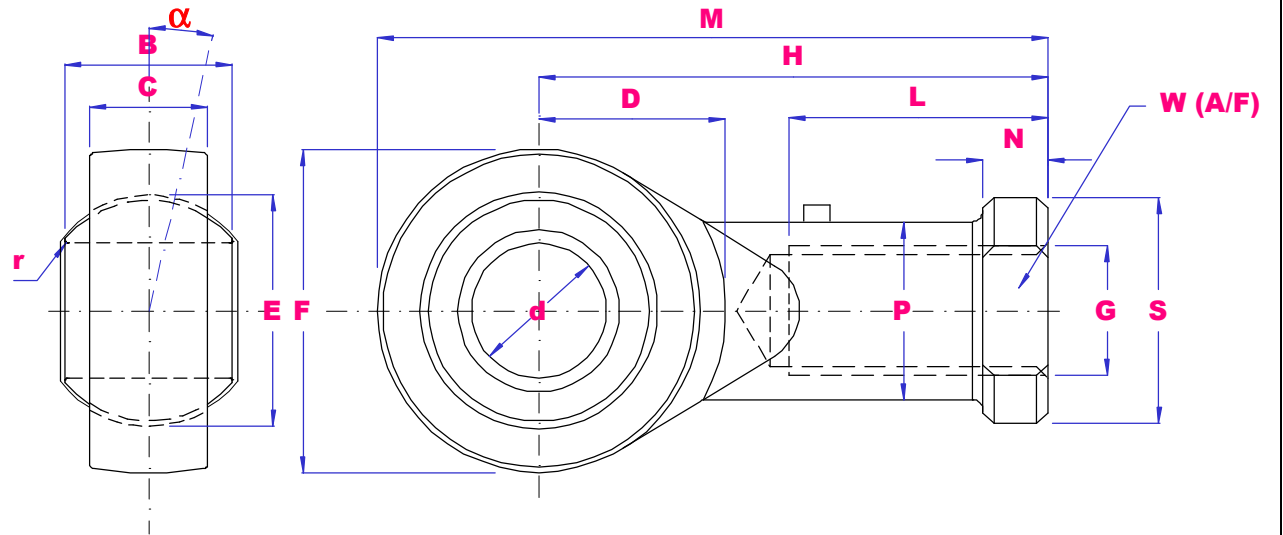




METRIC FEMALE RODENDS STEEL / STEEL



PART NO	d	B	E	C	F	G 6H	H	L	M	N	D	W	P	S	r	α deg	Load kN		Wgt g
																	Dyn	Stat	
SIJ5	5	8	11.1	7	16	M5X0.8	27	12.5	35	4	8	10	9	12	0.3	7	2.3	5.9	16
SIJ6	6	9	12.7	7	18	M6X1	30	13.5	39	5	9	11	10	13	0.3	11	3.2	6.5	20
SIJ8	8	12	15.9	9	22	M8X1.25	36	16	47	5	11	14	12.5	16	0.3	14	5.3	8	37
SIJ10	10	14	19.0	11	26	M10X1.5	43	19.5	56	6.5	13	17	15	19	0.3	12	7.3	10.5	61
SIJ12	12	16	22.2	12	30	M12X1.75	50	24	65	6.5	15	19	17.5	22	0.3	13	8.5	13	89
SIJ14	14	19	25.4	14	34	M14X2	57	27	74	8	16	22	20	25	0.3	14	12	17	135
SIJ16	16	21	28.6	15	38	M16X2	64	33	83	8	17.5	22	22	27	0.3	15	16.5	21	171
SIJ18	18	23	31.8	17	42	M18X1.5	71	36	92	10	19.5	27	25	31	0.6	14	20	25.5	246
SIJ20	20	25	34.9	18	46	M20X1.5	77	40	100	10	21.5	30	27.5	34	0.6	14	23	30	314
SIJ22	22	28	38.1	20	50	M22X1.5	84	43	109	12	23	32	30	37	0.6	15	27.5	35.5	410

THE FULL RANGE IS AVAILABLE IN LEFT HAND THREAD USE PART NO SILJ