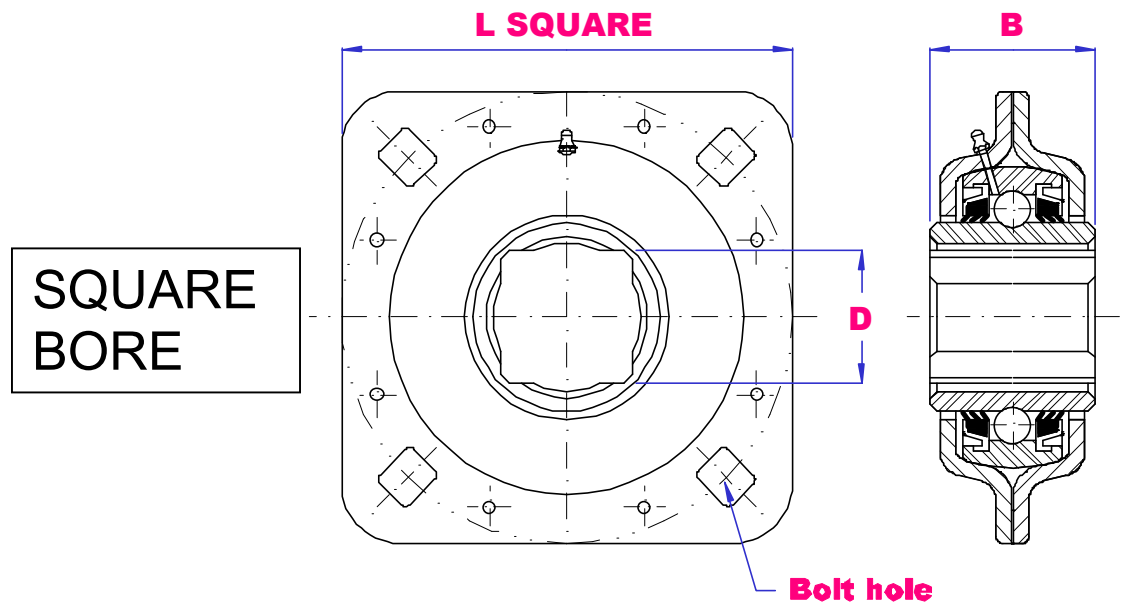
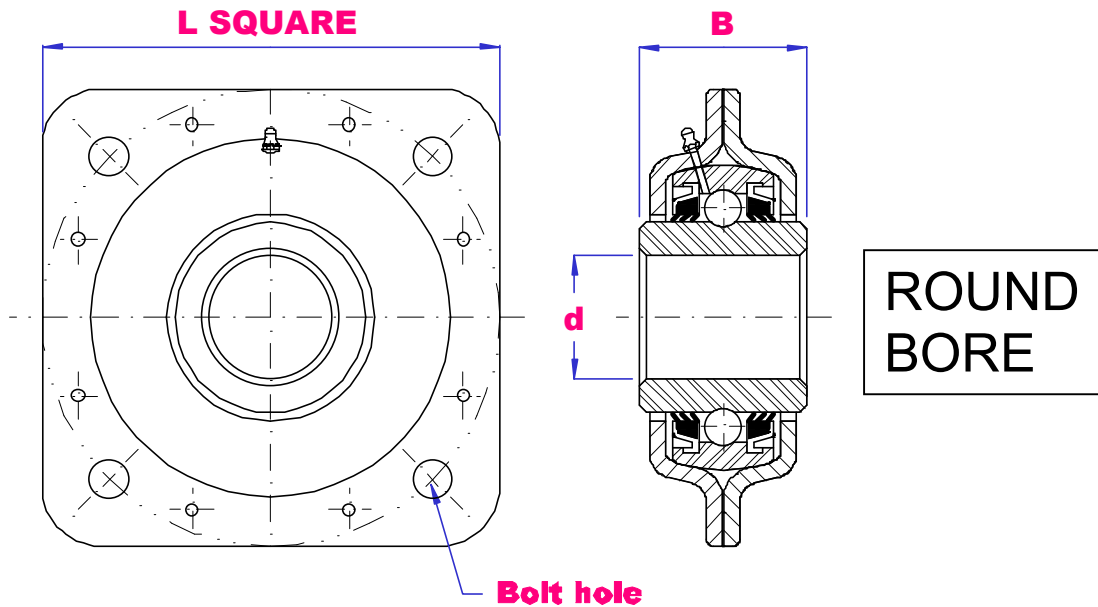




# UBC DHU DISC HARROW UNITS



Quality  
Endorsed  
Company  
ISO 9001:2000  
LIC QEC20818



PART NO	Bore Type	d	L mm	B mm	Bolt Hole	Wgt kg
DHU30S-209	Square	1.1/8	127	44.45	13.5	1.49
DHU1.3/4R-209	Round	1.3/4	127	44.45	13.5	1.34
DHU1.1/2S-211	Square	1.1/2	139.7	50.85	13.5x17.5	2.47
DHU40S-211	Square	40mm	139.7	50.85	13.5x15	2.34
DHU2.3/16R-211	Round	2.3/16	139.7	55.56	13.5	2.22