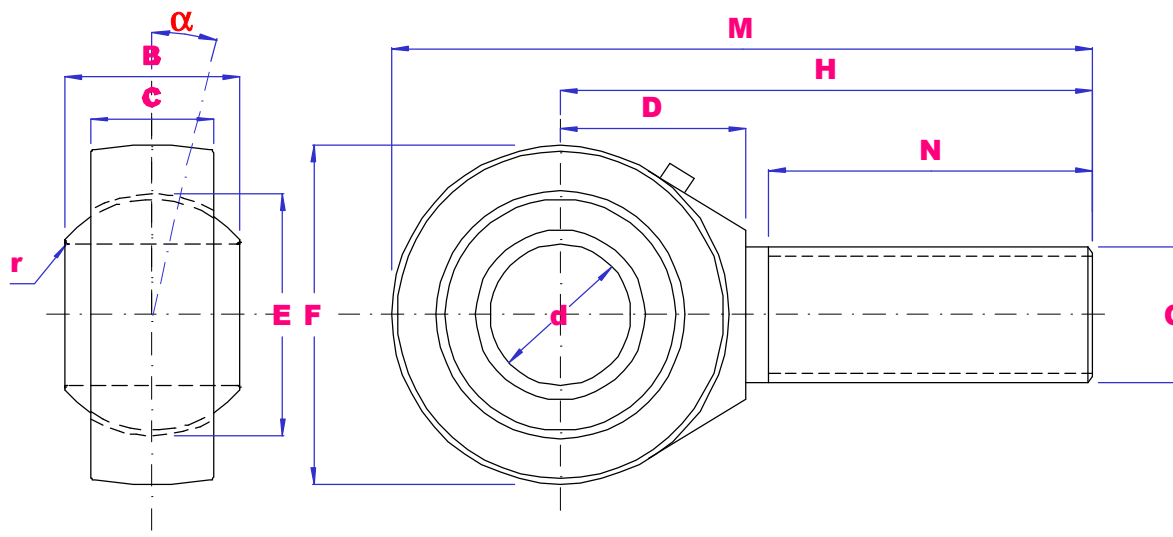




## METRIC MALE RODENDS STEEL / STEEL



PART NO	d	B	E	C	F	G 6H	H	N	M	D	r	α deg	Load kN		Wgt g
													Dyn	Stat	
SAJ5	5	8	11.1	7	16	M5X0.8	33	20	41	-	0.3	7	2.3	2.5	11
SAJ6	6	9	12.7	7	18	M6X1	36	22	45	-	0.3	11	3.2	4	15
SAJ8	8	12	15.9	9	22	M8X1.25	42	25	53	-	0.3	14	5.3	7.5	30
SAJ10	10	14	19.0	11	26	M10X1.5	48	29	61	-	0.3	12	7.3	10.5	48
SAJ12	12	16	22.2	12	30	M12X1.75	54	33	69	-	0.3	13	8.5	13	76
SAJ14	14	19	25.4	14	34	M14X2	60	36	77	-	0.3	14	12	17	115
SAJ16	16	21	28.6	15	38	M16X2	66	40	85	-	0.3	15	16.5	21	159
SAJ18	18	23	31.8	17	42	M18X1.5	72	44	93	23	0.6	14	20	25.5	222
SAJ20	20	25	34.9	18	46	M20X1.5	78	47	101	25	0.6	14	23	30	292
SAJ22	22	28	38.1	20	50	M22X1.5	84	51	109	27	0.6	15	27.5	35.5	381

**THE FULL RANGE IS AVAILABLE IN LEFT HAND THREAD USE PART NO SALJ**