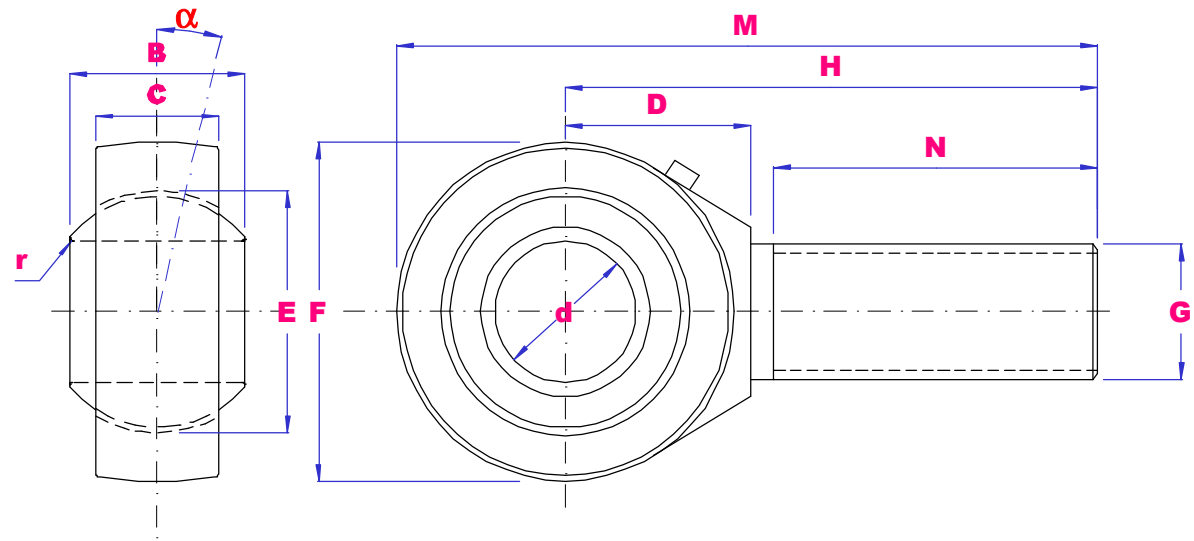




METRIC MALE RODENDS STEEL / BRONZE



PART NO	d	B	E	C	F	G 6H	H	N	M	D	r	α deg	Load kN		Wgt g
													Dyn	Stat	
SABP5S	5	8	11.1	6	16	M5X0.8	33	20	41	-	0.3	13	3.3	3.9	16
SABP6S	6	9	12.7	6.75	18	M6X1	36	22	45	-	0.3	13	4.3	5.3	26
SABP8S	8	12	15.9	9	22	M8X1.25	42	25	53	-	0.3	14	6.8	8.5	44
SABP10S	10	14	19.0	10.5	26	M10X1.5	48	29	61	-	0.3	14	10	11	72
SABP10SB1	10	14	19.0	10.5	26	M10X1.25	48	29	61	-	0.3	14	10	11	72
SABP12S	12	16	22.2	12	30	M12X1.75	54	33	69	-	0.3	13	13	14	108
SABP12SB2	12	16	22.2	12	30	M12X1.25	54	33	69	-	0.3	13	13	14	108
SABP14S	14	19	25.4	13.5	34	M14X2	60	36	77	-	0.3	16	17	20	161
SABP14SB1	14	19	25.4	13.5	34	M14X1.5	60	36	77	-	0.3	16	17	20	161
SABP16S	16	21	28.6	15	38	M16X2	66	40	85	-	0.3	15	21	25	225
SABP16SB1	16	21	28.6	15	38	M16X1.5	66	40	85	-	0.3	15	21	25	225
SABP18S	18	23	31.8	16.5	42	M18X1.5	72	44	93	23	0.6	15	26	30	295
SABP20S	20	25	34.9	18	46	M20X1.5	78	47	101	25	0.6	15	31	35	382
SABP22S	22	28	38.1	20	50	M22X1.5	84	51	109	27	0.6	15	38	43	488
SABP25S	25	31	42.8	22	60	M24X2	94	57	124	29	0.6	15	47	65	749
SABP28S	28	35	47.6	25	66	M27X2	103	62	136	33	0.6	15	59	77	949
SABP30S	30	37	50.8	25	70	M30X2	110	66	145	39	0.6	17	63	86	1130

THE FULL RANGE IS AVAILABLE IN LEFT HAND THREAD USE PART NO SALBP-S