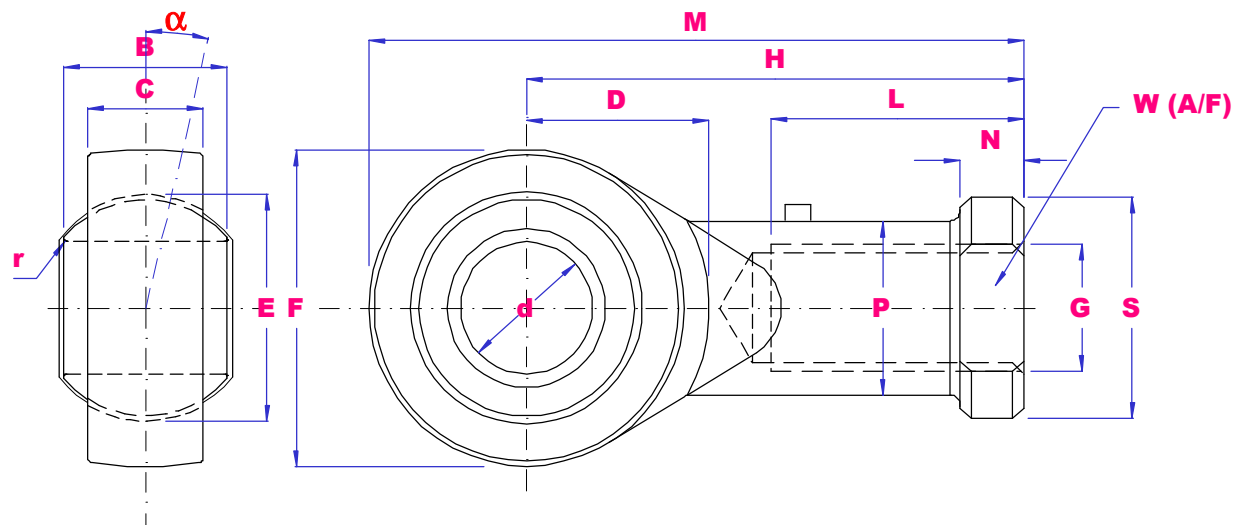




METRIC FEMALE ROD ENDS STEEL / BRONZE



PART NO	d	B	E	C	F	G 6H	H	L	M	N	D	W	P	S	r	α deg	Load kN		Wgt g
																	Dyn	Stat	
SIBP5S	5	8	11.1	6	16	M5X0.8	27	14	35	4	8	9	9	11	0.3	13	3.3	4.1	16
SIBP6S	6	9	12.7	6.75	18	M6X1	30	14	39	5	9	11	10	13	0.3	13	4.3	5.3	26
SIBP8S	8	12	15.9	9	22	M8X1.25	36	17	47	5	11	14	12.5	16	0.3	14	6.8	8.5	44
SIBP10S	10	14	19.0	10.5	26	M10X1.5	43	21	56	6.5	13	17	15	19	0.3	14	10	11	72
SIBP10SB1	10	14	19.0	10.5	26	M10X1.25	43	21	56	6.5	13	17	15	19	0.3	14	10	11	72
SIBP12S	12	16	22.2	12	30	M12X1.75	50	24	65	6.5	15	19	17.5	22	0.3	13	13	14	108
SIBP12SB2	12	16	22.2	12	30	M12X1.25	50	24	65	6.5	15	19	17.5	22	0.3	13	13	14	108
SIBP14S	14	19	25.4	13.5	34	M14X2	57	27	74	8	16	22	20	25	0.3	16	17	20	161
SIBP14SB1	14	19	25.4	13.5	34	M14X1.5	57	27	74	8	16	22	20	25	0.3	16	17	20	161
SIBP16S	16	21	28.6	15	38	M16X2	64	33	83	8	17.5	22	22	27	0.3	15	21	25	225
SIBP16SB1	16	21	28.6	15	38	M16X1.5	64	33	83	8	17.5	22	22	27	0.3	15	21	25	225
SIBP18S	18	23	31.8	16.5	42	M18X1.5	71	36	92	10	19.5	27	25	31	0.6	15	26	30	295
SIBP20S	20	25	34.9	18	46	M20X1.5	77	40	100	10	21.5	30	27.5	34	0.6	15	31	35	382
SIBP22S	22	28	38.1	20	50	M22X1.5	84	43	109	12	23	32	30	37	0.6	15	38	43	488
SIBP25S	25	31	42.8	22	60	M24X2	94	48	124	12	29.5	36	33.5	42	0.6	15	47	65	749
SIBP28S	28	35	47.6	25	66	M27X2	103	53	136	12	32.5	41	37	46	0.6	15	59	77	949
SIBP30S	30	37	50.8	25	70	M30X2	110	56	145	15	34	41	40	50	0.6	17	63	86	1130

THE FULL RANGE IS AVAILABLE IN LEFT HAND THREAD USE PART NO SILBP-S