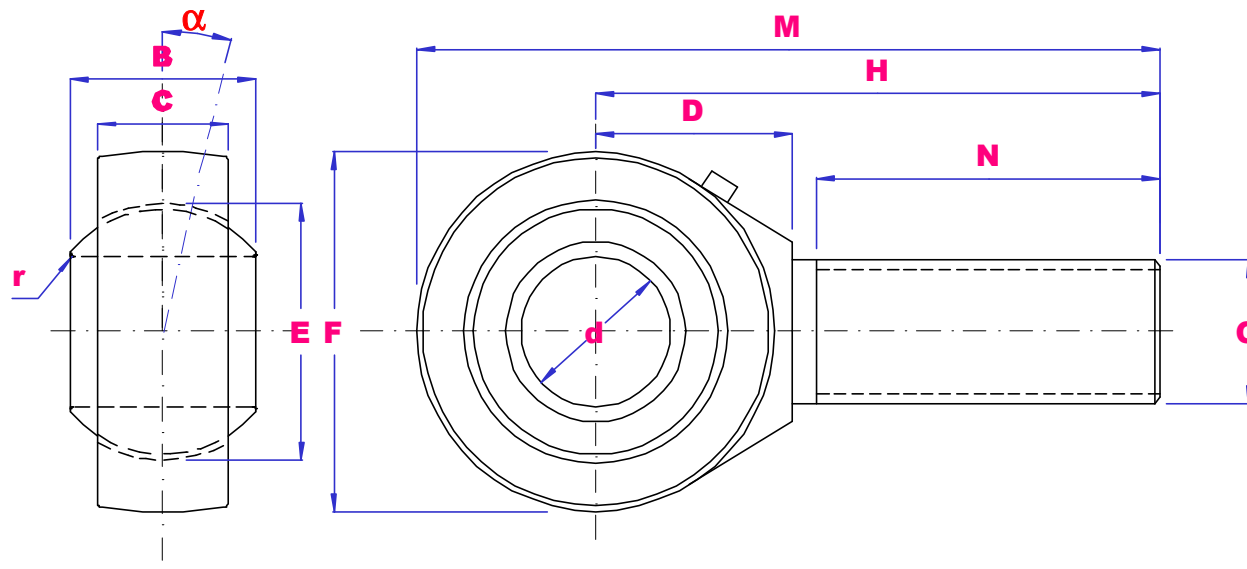




**STAINLESS STEEL  
METRIC MALE  
ROD ENDS  
STEEL / TEFLON**



PART NO	d	B	E	C	F	G 6H	H	N	M	D	r	α deg	Load kN		Wgt g
													Dyn	Stat	
SAJK5CX	5	8	11.1	6	16	M5X0.8	33	20	41	-	0.3	13	3.3	3.9	16
SAJK6CX	6	9	12.7	6.75	18	M6X1	36	22	45	-	0.3	13	4.3	5.3	26
SAJK8CX	8	12	15.9	9	22	M8X1.25	42	25	53	-	0.3	14	6.8	8.5	44
SAJK10CX	10	14	19.0	10.5	26	M10X1.5	48	29	61	-	0.3	14	10	11	72
SAJK10B1CX	10	14	19.0	10.5	26	M10X1.25	48	29	61	-	0.3	14	10	11	72
SAJK12CX	12	16	22.2	12	30	M12X1.75	54	33	69	-	0.3	13	13	14	108
SAJK12B2CX	12	16	22.2	12	30	M12X1.25	54	33	69	-	0.3	13	13	14	108
SAJK14CX	14	19	25.4	13.5	34	M14X2	60	36	77	-	0.3	16	17	20	161
SAJK16CX	16	21	28.6	15	38	M16X2	66	40	85	-	0.3	15	21	25	225
SAJK16B1CX	16	21	28.6	15	38	M16X1.5	66	40	85	-	0.3	15	21	25	225
SAJK18CX	18	23	31.8	16.5	42	M18X1.5	72	44	93	23	0.6	15	26	30	295
SAJK20CX	20	25	34.9	18	46	M20X1.5	78	47	101	25	0.6	15	31	35	382

**STAINLESS BODY 304, BALL 440C, MAINTENANCE FREE TEFLON LINER  
FOR LEFT HAND THREAD USE PART NO SALJK-CX**